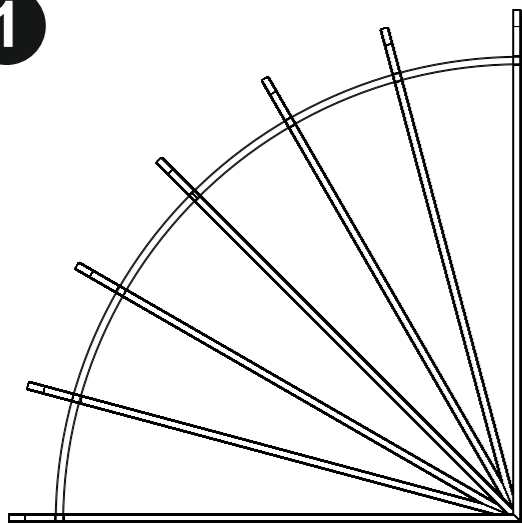
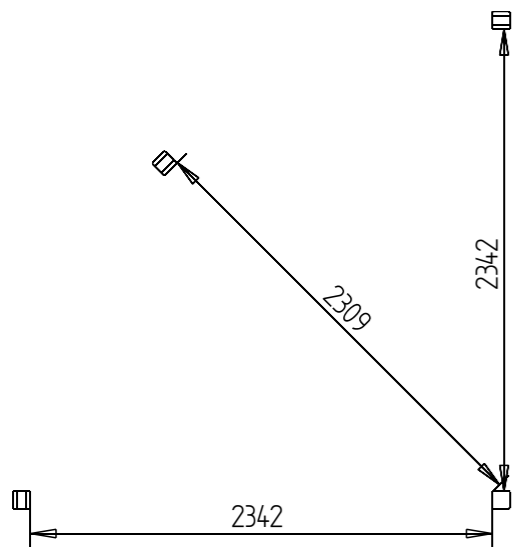


1



Before starting the construction it is a good idea to lay the rafters out on the ground and make sure that they all line up, and for the positioning of the posts.

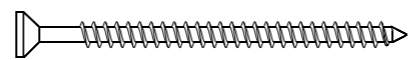
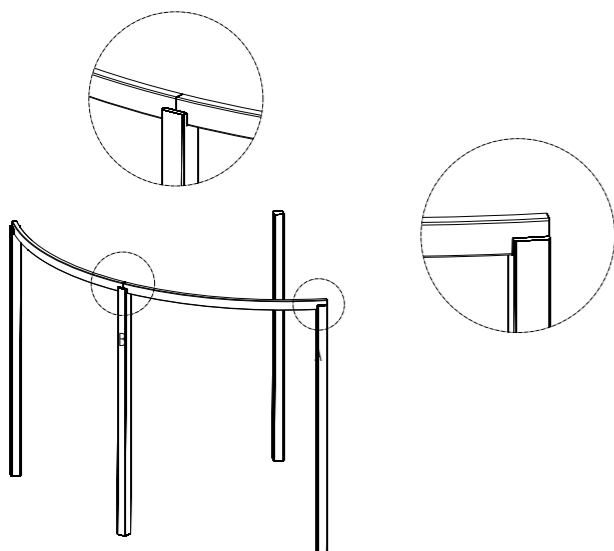
2



Locate the notched posts so they are 18 inches in the ground and the un notched post 20 inches into the ground.

Alternatively if you are using a fencefast you will need to trim this off the bottom of each post.

3

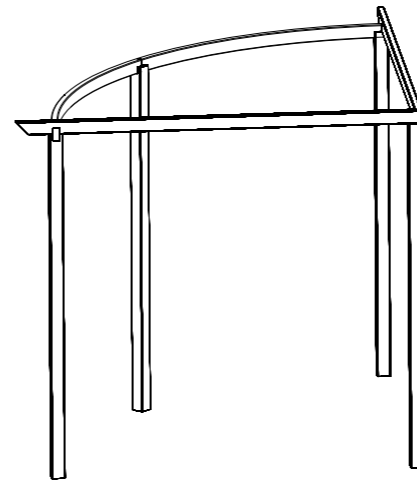


4
50mm

Slot the Arced rafters into the notched posts as shown.

Secure using 2x50mm screws for the middle and 1x50mm screw for each of the outer posts through the notched post into the arced rafter.

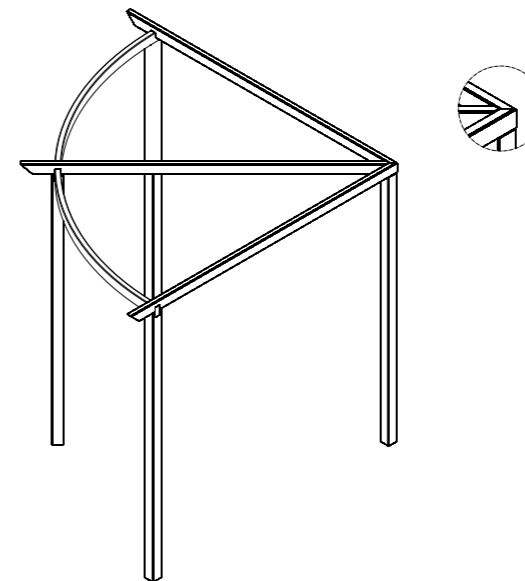
4



Slot the Rafter 1 and 7 onto the ends of the arc rafters as shown. Make sure that they in line with each other and the un notched post.

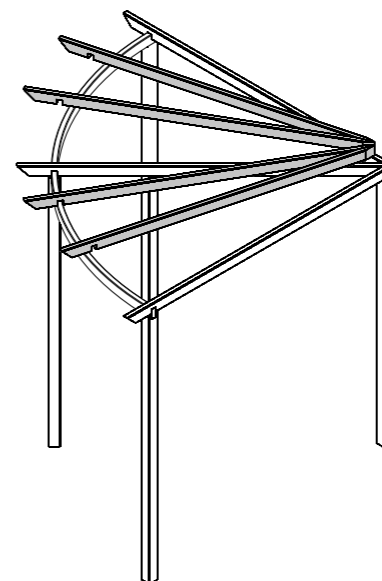
Do not secure to the post at this time.

5



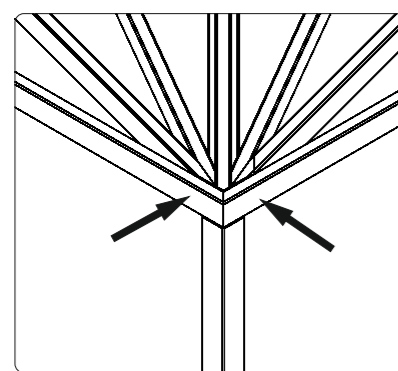
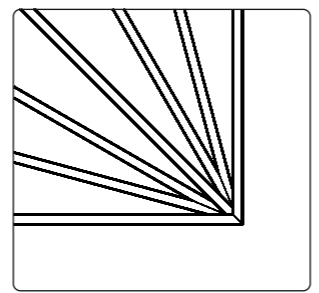
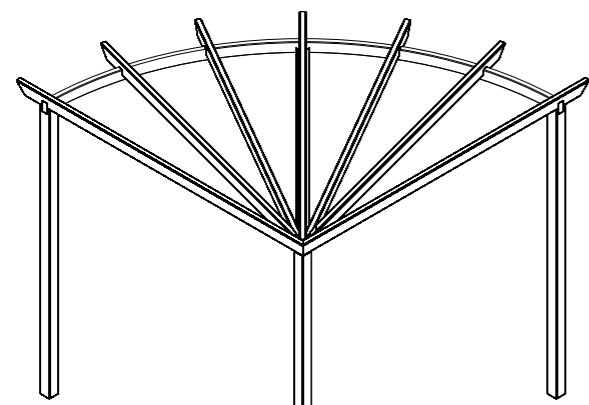
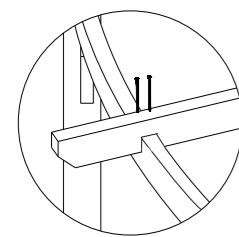
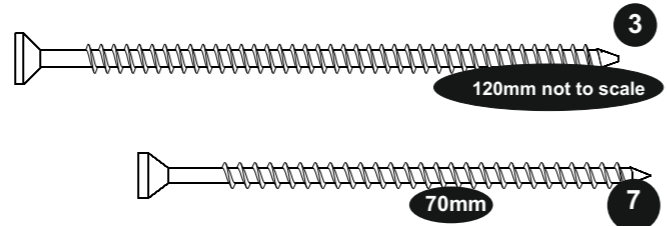
Place Rafter 4 so that the notch overlaps the join between the two arc rafters and sits on the un notched post central, between the other rafters.

6



Place the remaining rafters.

7



When all the rafters are in the correct positions fix them to the arced rafter by screwing through the rafter using a 70mm screw for each.

Secure the rafters to each other using 2x120mm screws, screwing from each side as shown.

Using the remaining 120mm screw, secure the central rafter to the un notched post.

Forest Garden plc.
Unit 288 Hartlebury Trading Estate
Hartlebury
Worcestershire
Dy10 4JB

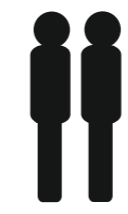
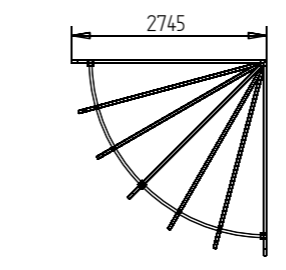
General Enquiries: 0844 248 9853
E-mail: info@forestgarden.co.uk

www.forestgarden.co.uk

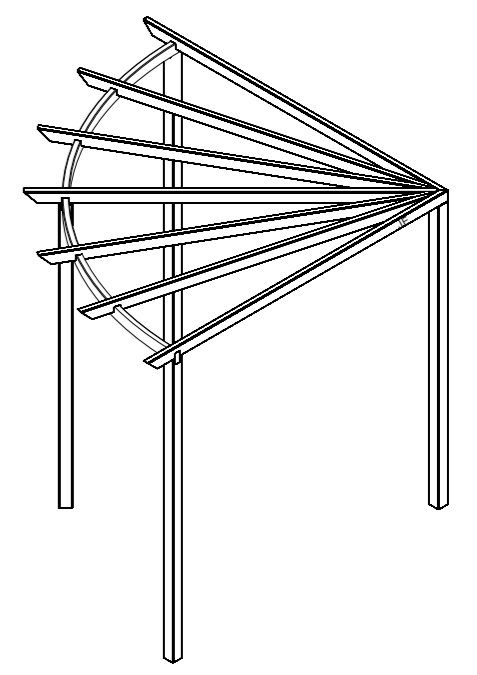
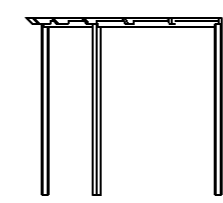
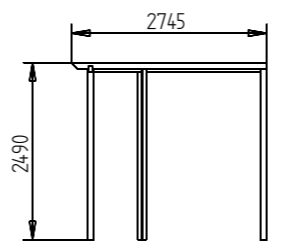
RADIAL PERGOLA 90 DEGREES

ISSUE 0314

RPK90FP

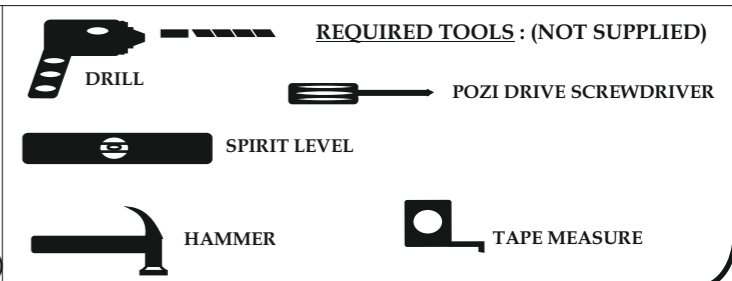
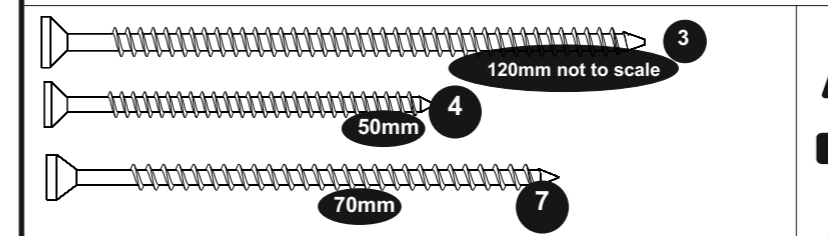
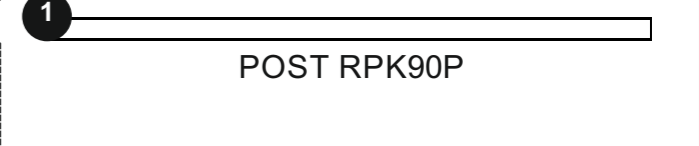
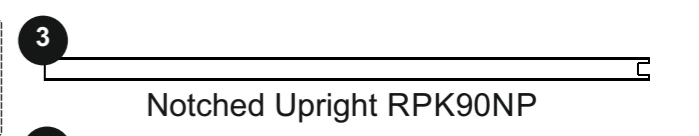
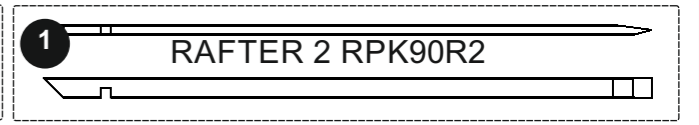
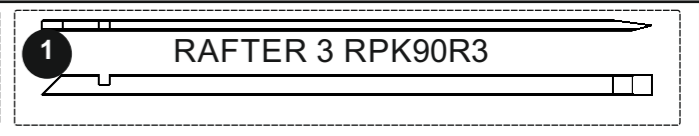
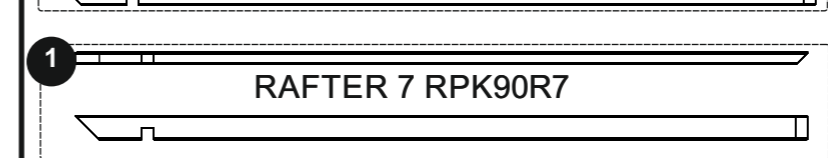
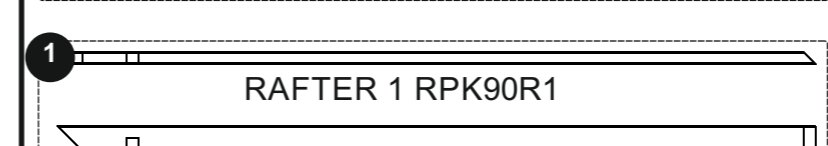
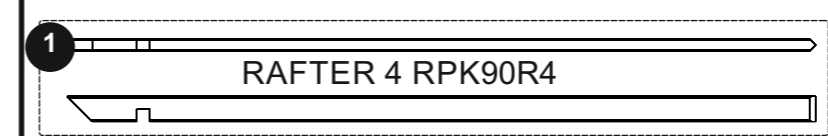
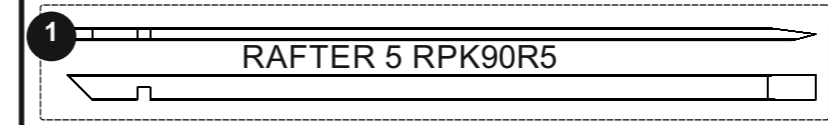
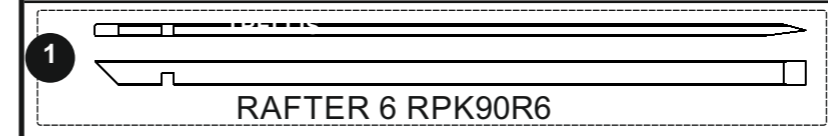


Important : Assembly of this Pergola requires two people.



Thank you for choosing this Pergola manufactured by the UK's largest manufacturer of timber garden products. In order to gain the most benefit from it, please note the following:

- Exercise particular care and follow instructions.
- This Pergola is pressure treated. For extra protection from the elements we recommend that you treat your structure using a wood preservative treatment. Apply in accordance with the manufacturers instructions.
- In line with your statutory rights, please check all parts prior to assembly, as assembly of damaged parts may be deemed to be acceptance and this may affect the remedies you are entitled to. If the product is not constructed in accordance with the instructions, or is altered in anyway (eg painted), the manufacturer cannot be held liable for any resulting damage
- Timber is a natural material. It will shrink and swell as a result of varying moisture content.
- Please keep all plastic bags and small parts away from children in order to reduce the risk of suffocation.
- Important Note : Do not lean or stand on rafters during assembly they are not load bearing.
- If there are any technical queries with the product, please contact our customer help line on 0333 7777 089 between the hours of 8.30 am and 5.00 pm Monday to Friday.



Fixing Pack(RPK90FP)