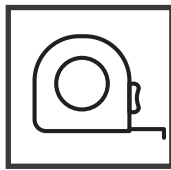


# POTATO PLANTER

## INSTRUCTIONS

We recommend using the following tools (not supplied):

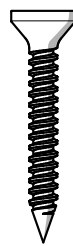
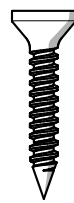


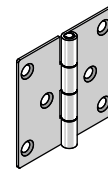
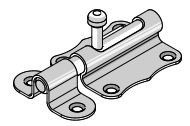
Tape Measure


 Pozidrive  
Screwdriver

 Drill & 2-3mm  
Drill Bits

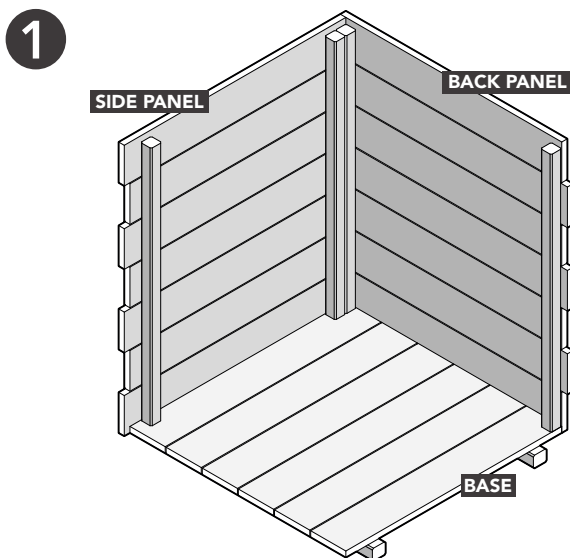
**FIXING PACK CONTAINS:**  
FIXING PACK CODE: POTPLANTFP


 4 x 50mm Screws  
QTY: 12

 3.5 x 30mm Screws  
QTY: 12

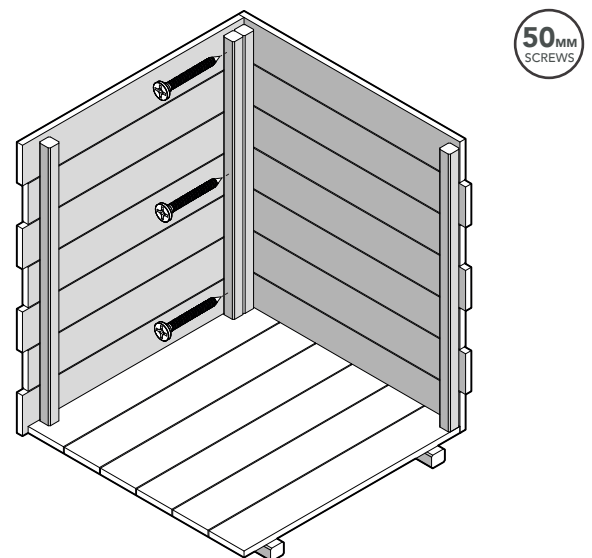
 3 x 15mm Screws  
QTY: 18

 Butt Hinges  
QTY: 2

 Bolt & Receiver  
QTY: 1

PLEASE KEEP PLASTIC BAGS AND SMALL PARTS AWAY FROM CHILDREN

CHECK AND TIGHTEN ALL THE FIXINGS APPLIED TO THIS PRODUCT ON A REGULAR BASIS.



**1** Position the Base and sit your Side Panel onto the bearers. Slot the Side Panel and Back Panel together.



Ensure the edge of Back Panel is flush to the Base on the one side as shown above. Secure the Side Panel to the Back Panel as shown above.



**IMPORTANT**  
Assembly requires 2+ adults.

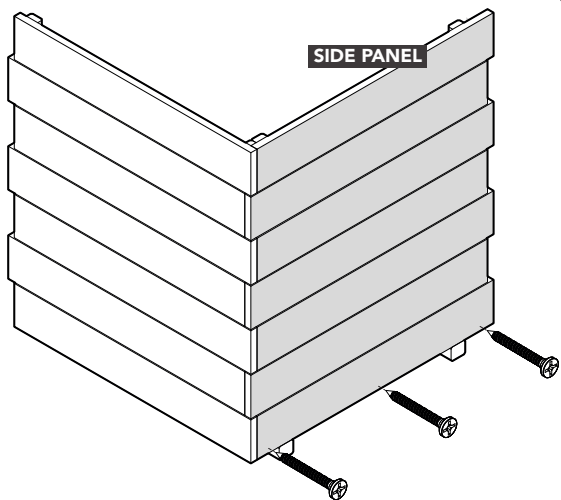


**REMINDER**  
Always pre-drill before screwing.

**Missing something or need more information?**  
Call our aftersales team on  
0333 321 3142

**Visit our website for spare instructions and more information**  
[www.forestgarden.co.uk](http://www.forestgarden.co.uk)

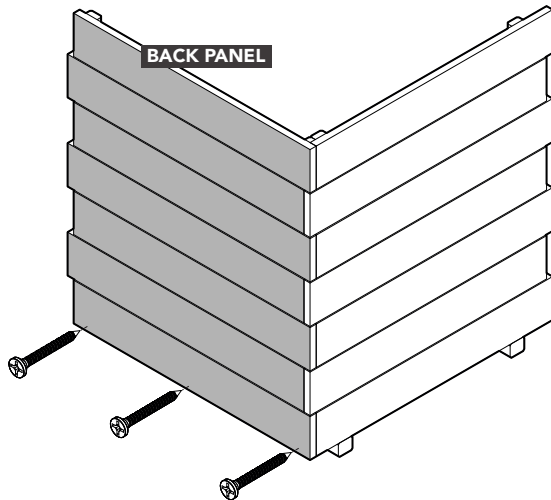
2



30MM  
SCREWS

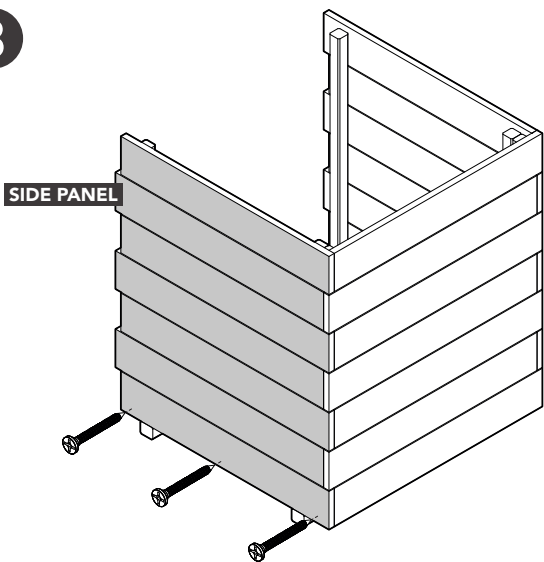
Position and secure the Side Panel to the Base.

30MM  
SCREWS



Position and secure the Back Panel to the Base. Ensure the Back Panel is flush top and bottom to the Side Panel.

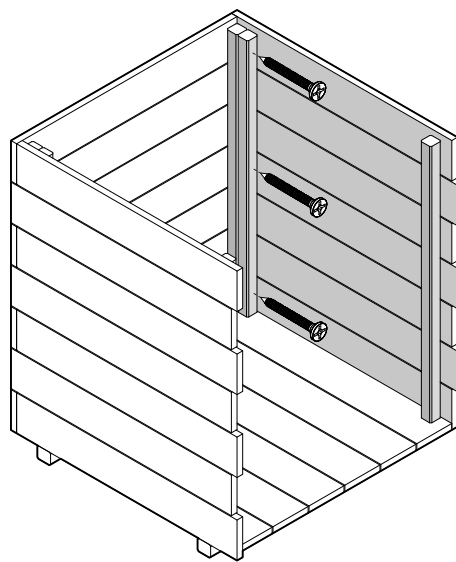
3



30MM  
SCREWS

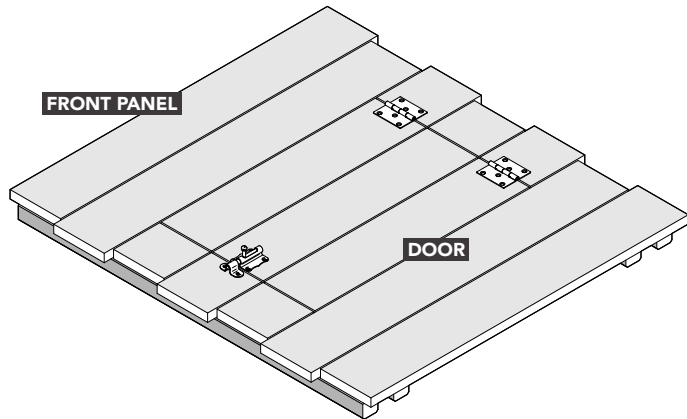
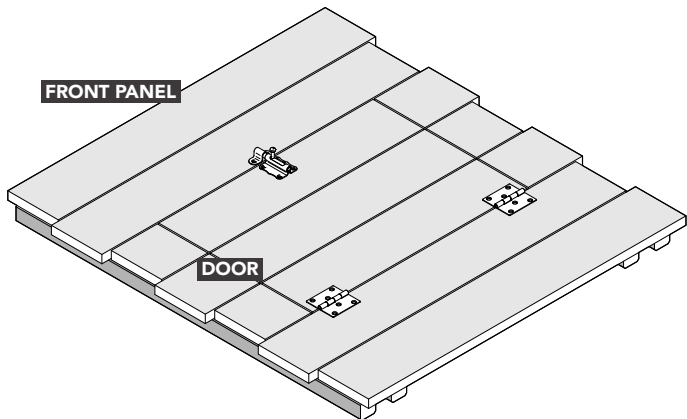
Position and secure the Side Panel to the Base. Ensure the Side Panel is flush top and bottom to the Back Panel and flush when slotting them together.

50MM  
SCREWS

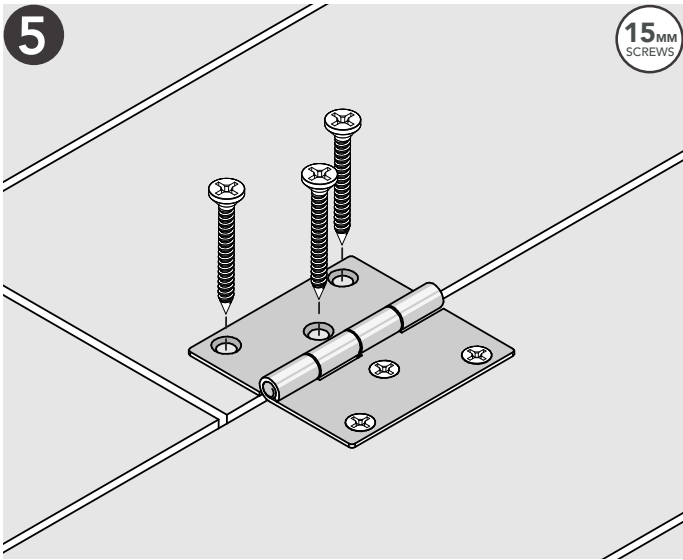


Secure the Side Panel and Back Panel together.

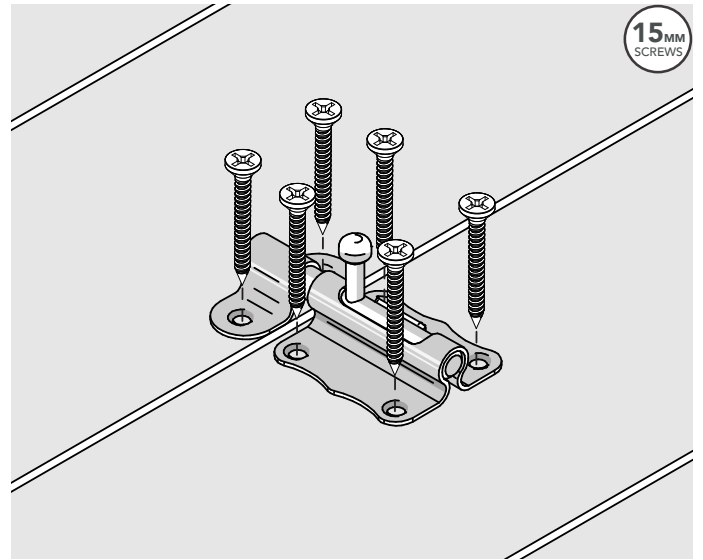
4



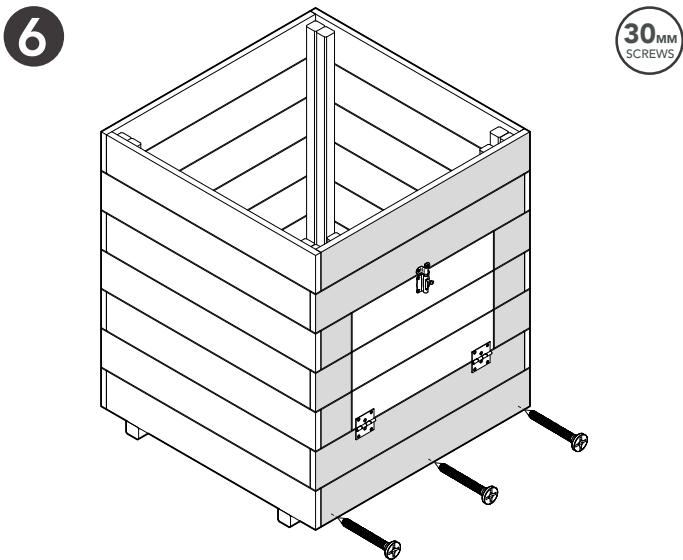
Place the Front Panel onto the floor and position the Door into the opening. The fixings can be secured based on the 2 x options above and based on your preference.



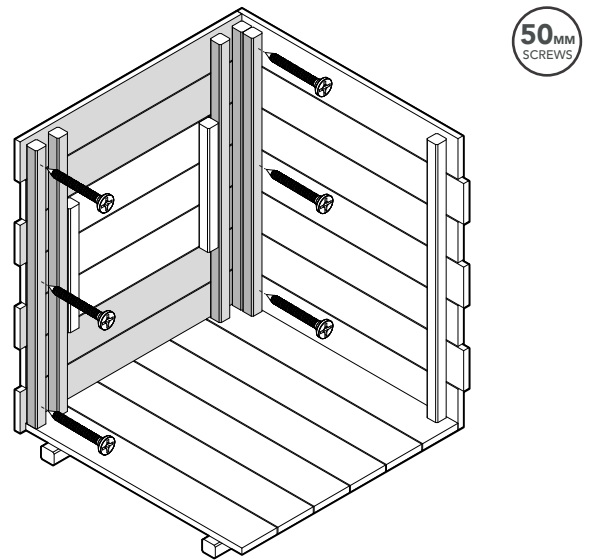
Once you are happy with your hinge positions, secure them in place.



Once you are happy with your bolt and receiver positions, secure them in place.



Position and secure the Front Panel to the Base. Ensure the Front Panel is flush top and bottom to the Side Panels and flush when slotting in place.



Secure the Front Panel and Side Panels together.

## HEALTH & SAFETY

We strongly recommend that PPE (Personal Protective Equipment) is used throughout your build to ensure you are protected from any potential health and safety risks. **Do not exempt yourself from wearing PPE.**



## CHECK YOU HAVE ALL YOUR PARTS PRIOR TO ASSEMBLY.

(The parts do not have codes on them. They are listed below should you need to order one.)

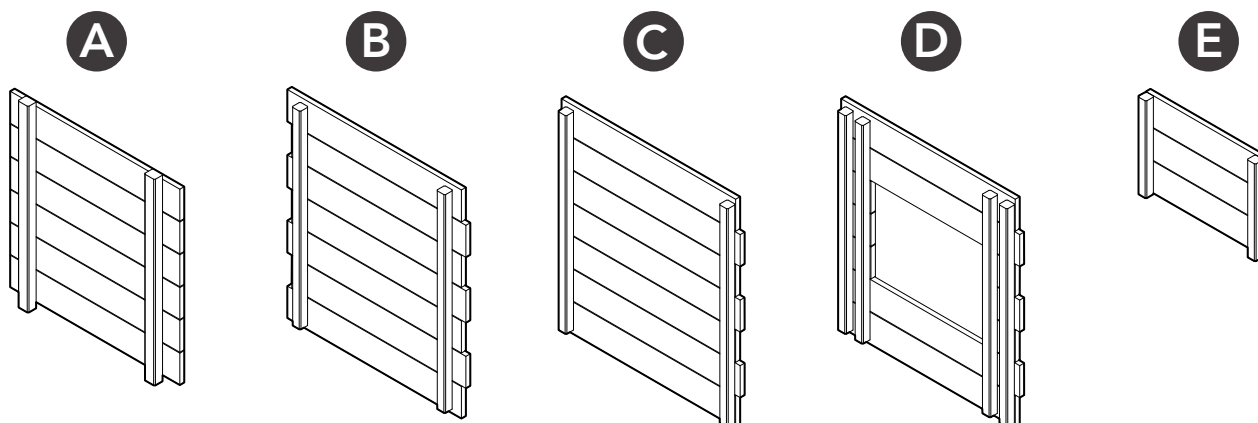
Timber is a natural material of which will shrink and swell as a result of varying moisture content.

Assembly of damaged parts may be deemed to be acceptance and this may affect the remedies you are entitled to. If the product is not constructed in accordance with the instructions, or is altered in anyway (e.g. painted), the manufacturer cannot be held liable for any resulting damage.

The components provided may be heavy. Please lift with caution and with a minimum of 2 people.

Potato Planter (POTPLANT)			
Label	Part Code	Description	No.
A	POTPLANTBASE	Base 570x600mm	1
B	POTPLANTSIDE	Side Panel 600x665mm	2
C	POTPLANTBACK	Back Panel 600x665mm	1
D	POTPLANTFRONT	Front Panel 600x665mm	1
E	POTPLANTDOOR	Door 284x395mm	1

Use the labelled components to help identify the part code and description.



### TREATED TIMBER CONTAINING A BIOCIDAL PRODUCT CONTROL OF WOOD DESTROYING ORGANISMS

**Active Ingredients** - Propiconazole, Tebuconazole, IPBC, Permethrine, Benzyl-C12-16-Alkyldimethyl Chlorides. (Dip Treated)  
Basic Copper Carbonate, DDA Carbonate, DDA Chloride. (Pressure Treated)

Wear gloves when handling. Avoid inhalation of sawdust. Do not use in contact with drinking water or food. Do not use for animal bedding or in fish ponds. Dispose of treated wood responsibly.