

Parisienne Arbour

IMPORTANT: RETAIN FOR FUTURE REFERENCE: READ CAREFULLY.

- Always pre-drill timber to avoid splitting.
- The timber in this product is pressure treated to ensure longevity and protection against rot. This may leave colour variations, but these will even out as the moisture content stabilises.
- Timber is a natural material and will shrink and swell as a result of varying moisture content.
- Keep all plastic bags and parts away from children.
- The roof of this product is not load bearing.

Technical Help line: 0333 7777 089 8:30am - 5:00pm Monday to Friday

In line with your statutory rights, please check all parts prior to assembly, as assembly of damaged parts may be deemed to be acceptance and this may affect the remedies you are entitled to. If the product is not constructed in accordance with the instructions, or is altered in anyway (e.g. painted), the manufacturer cannot be held liable for any resulting damage.

Maintenance:

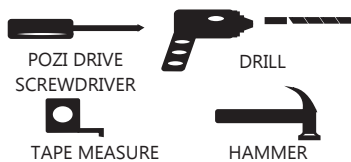
Regularly check that all fixings are tight and secure and the product has no protruding sharp edges or splinters.

This article contains biocidal products to give protection against wood destroying insects & wood rotting fungi. Contents may vary.
 May contain : Basic copper carbonate (Copper (II) carbonate – Copper (II) hydroxide (1:1), Cupric oxide, Copper hydroxide carbonate, oxyethyl, ammoniumpropionate, Copper HDO, Propiconazole, Tebuconazole, Boric acid, Benzalkonium chloride.
 Wear gloves when handling freshly treated wood. Avoid breathing dust when cutting treated or untreated wood. Dispose of off-cuts responsibly – do not burn.

Important: Assembly of this Arbour requires two adults



REQUIRED TOOLS : (NOT SUPPLIED)



PARTS:

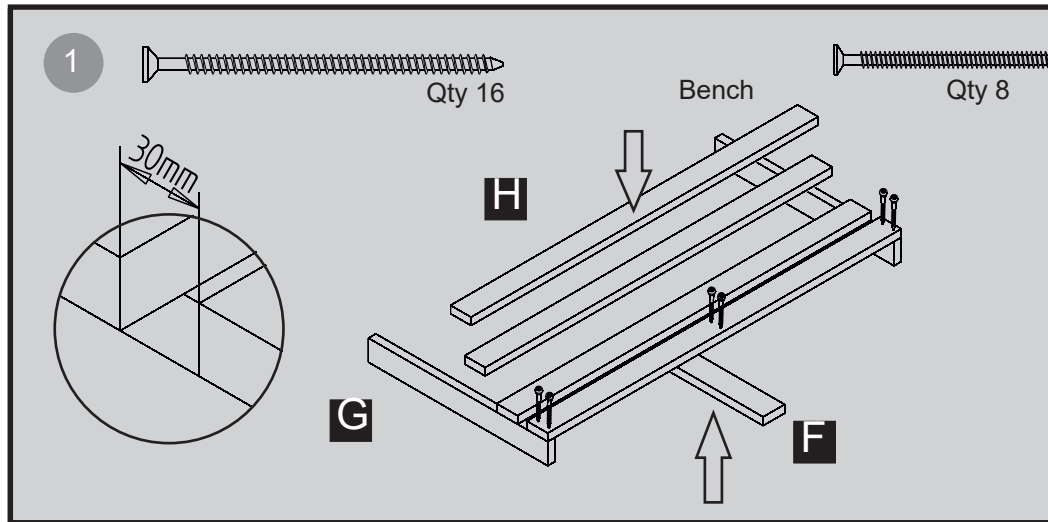
A		F		24680320PTR QTY 1
	BSSIDE QTY 2	G		24700583PTR QTY 2
B		H		24681150PTR QTY 7
	BSBACK QTY 1	I		24681150PTRWB QTY 1
C		J		161140130PTR QTY 2
	BSROOF QTY 2			
D				161200940PTR QTY 4
E				24680555A2PTR QTY 2

	Qty 32		Qty 2
	Qty 48		
	Qty 4		

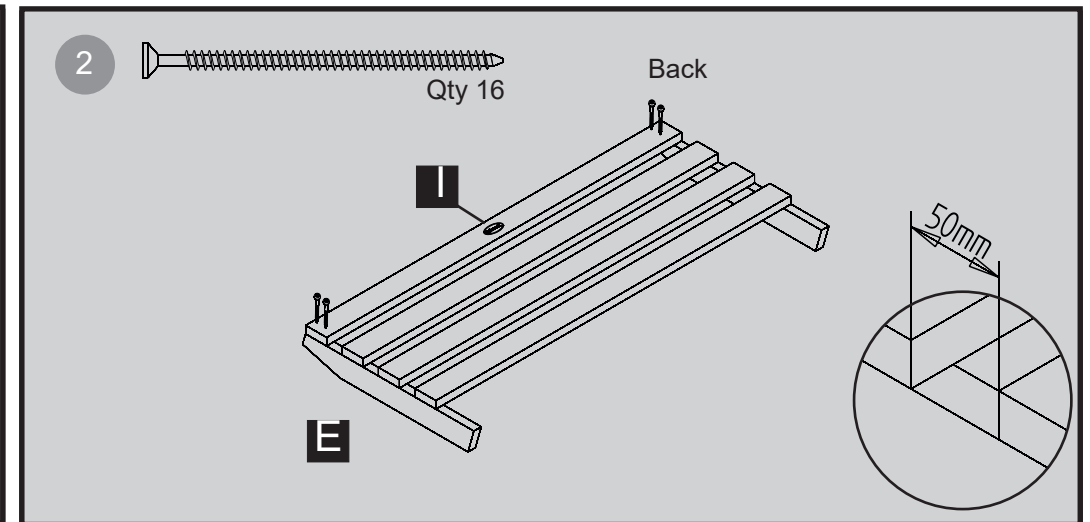
For further information



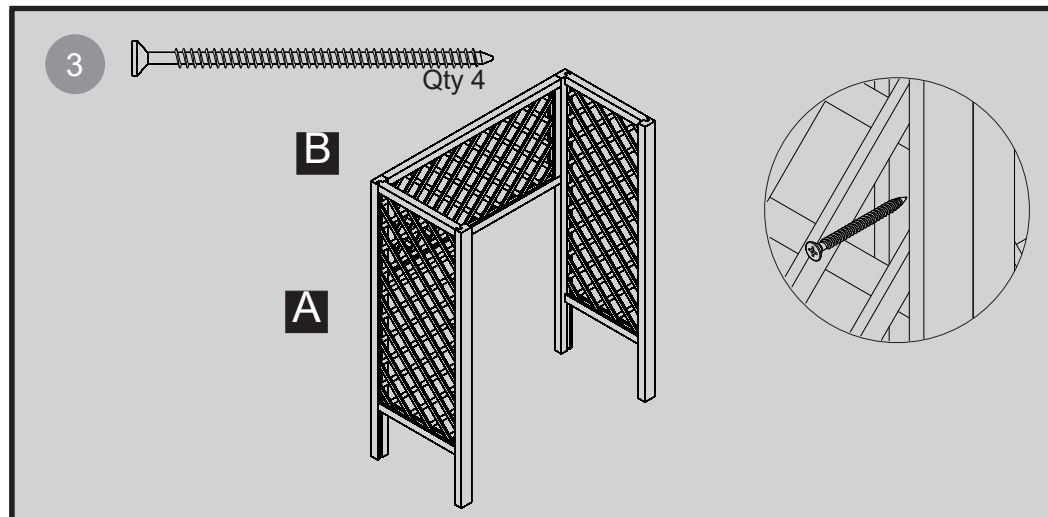
www.forestgarden.co.uk



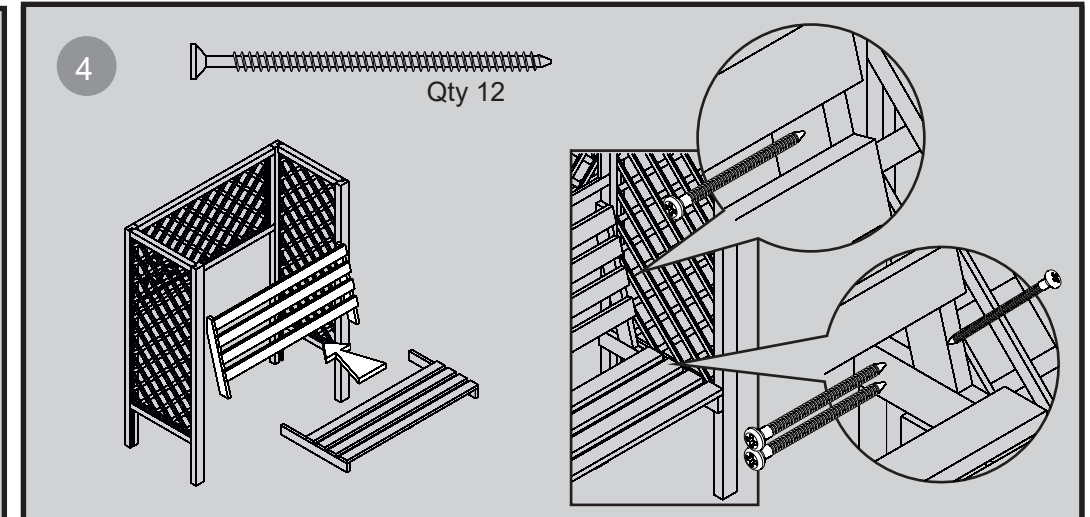
1 Make sure that the battens for the bench are spaced 30mm apart. Fix each in place using 2x60mm screws for each end.
 Place batten F centrally on the underside and fix using 2x40mm screws for each section screwing through batten H



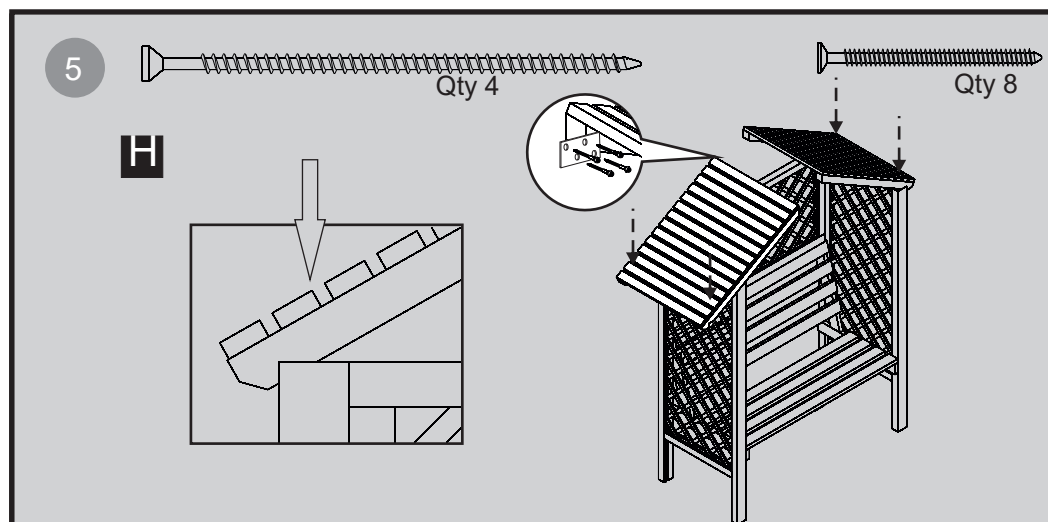
2 Place the long battens across the shorter battens to create the bench seat and back. Make sure that the battens for the bench are spaced 50mm apart. Fix each in place using 2x60mm screws for each end.



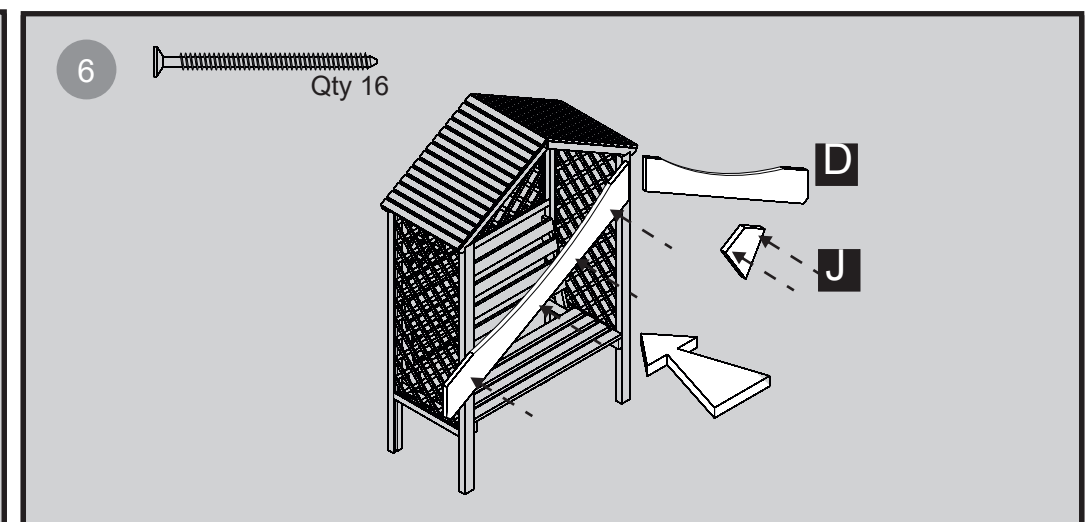
3 Fix the back panel to both of the side panels making sure that it is in line with the top. Fix this in place using 2 x 60mm screws for each side screwing through the groove in the panel.



4 Place the bench seat between the two sides so that it is tight and the bottom of the bench is 378mm from the ground. Fix this in place using 2x60mm screws to fix each end to the posts of the sides sections .
 Place the back on top of this making sure that it is flush on all sides. Fix in place using 60mm screws as shown.



5 Fix the two roof sections together and secure using the metal plates and 8x40mm screws as shown.
 Place the completed roof section on top of the two side sections and secure by screwing down through the roof section into the post using a 100mm screw for each.



6 Place the barge boards to the roof so that the bottom of the curve is in line with the top of the roof and they meet at the apex. Fix each in place using 3x40mm screws, Place the finial over where the barge boards meet and secure each in place using 2x40mm screws.