



Making British gardens great

SLATTED PALMA ARBOUR INSTRUCTIONS

We recommend using the following tools (not supplied):



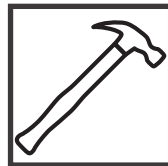
Tape Measure



Pozidrive
Screwdriver



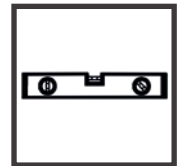
Drill & 2-3mm
Drill Bits



Hammer



Ladder



Spirit Level

It is vital that you build your new arbour on a **level ground** in your desired location.

FIXING PACK CONTAINS:

FIXING PACK CODE: *PALMAAFP*



5x70mm Screws
QTY: 8



4x50mm Screws
QTY: 18



3.5x30mm Screws
QTY: 16

PLEASE KEEP PLASTIC BAGS AND SMALL PARTS AWAY FROM CHILDREN
CHECK AND TIGHTEN ALL THE FIXINGS APPLIED TO THIS PRODUCT ON A REGULAR BASIS.



IMPORTANT
Assembly requires 2+
adults.



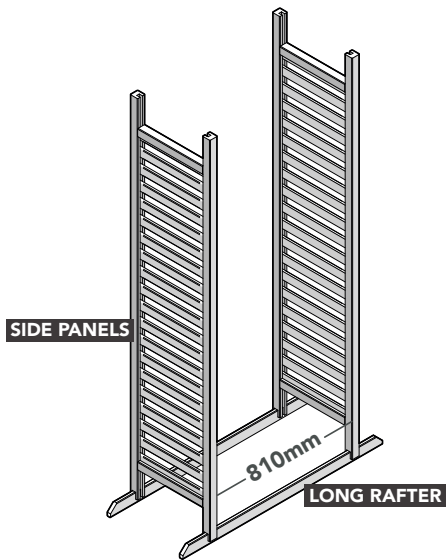
REMINDER
Always pre-drill before
screwing.

THE ROOF OF THIS ARBOUR IS NOT A LOAD BEARING STRUCTURE

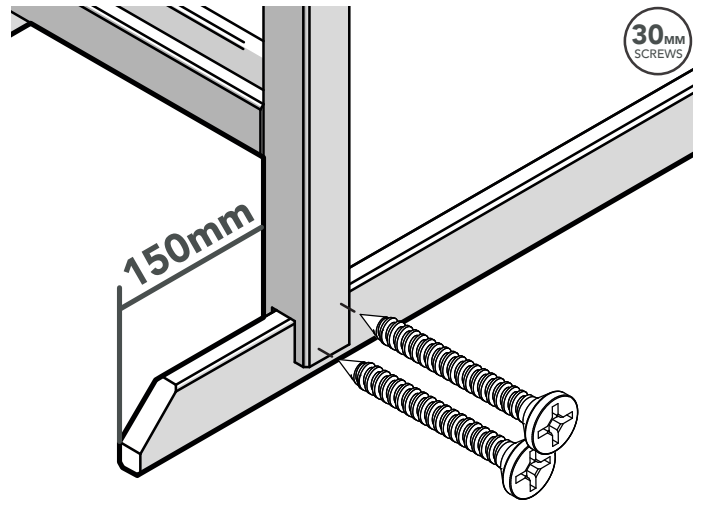
Missing something or need more information?
Call our aftersales team on
0333 321 3142

**Visit our website for spare instructions and
more information**
www.forestgarden.co.uk

1

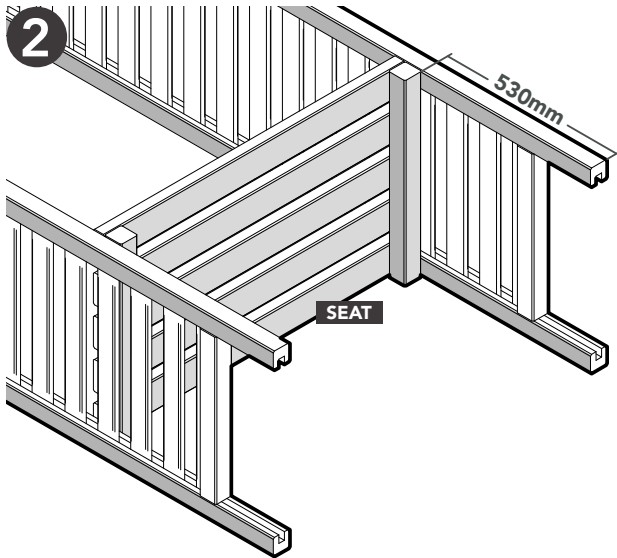


Lay out your Long Rafters on the floor and turn your Side Panels upside down to slot in place. Position the Side Panels using the measurement provided.

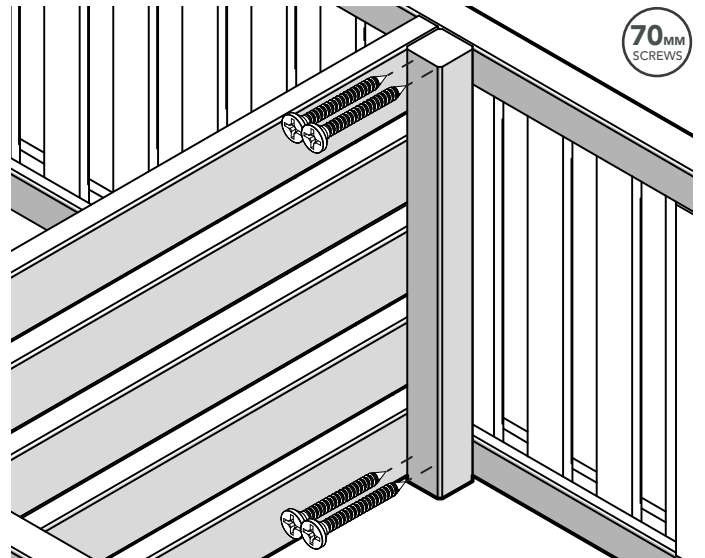


Position and secure the Side Panels to the Long Rafters as shown above. Use the measurement above as a positioning guide.

2

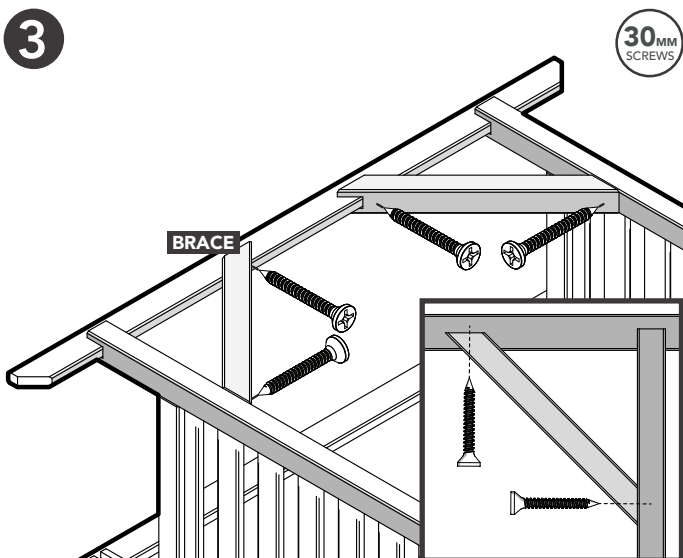


Position your Seat using the measurement provided as a guide in between the Side Panels. Feel free to alter the height based on your preference.

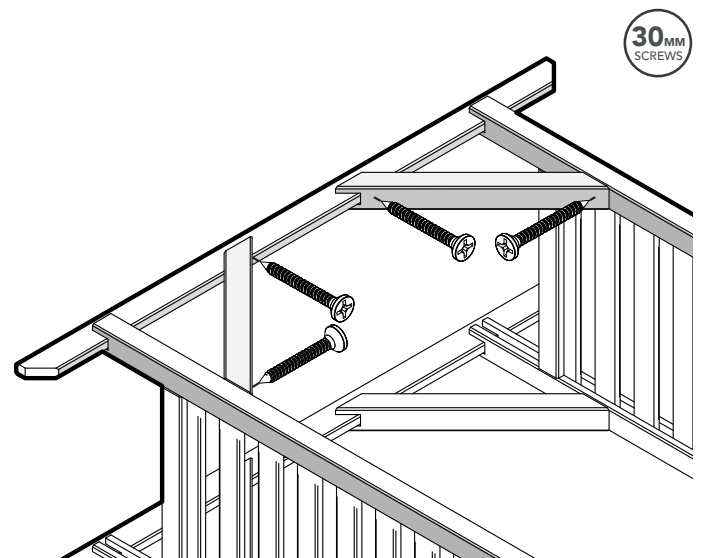


Secure the Seat to the Side Panel posts as shown above. Repeat on both sides to fully fix in place.

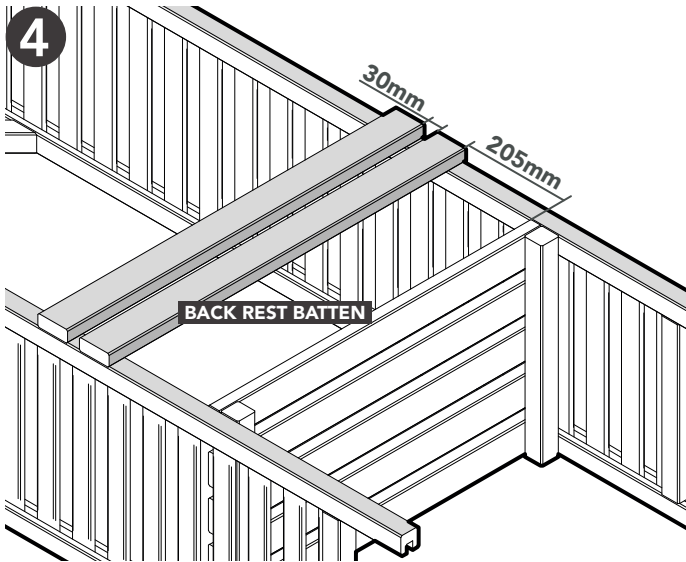
3



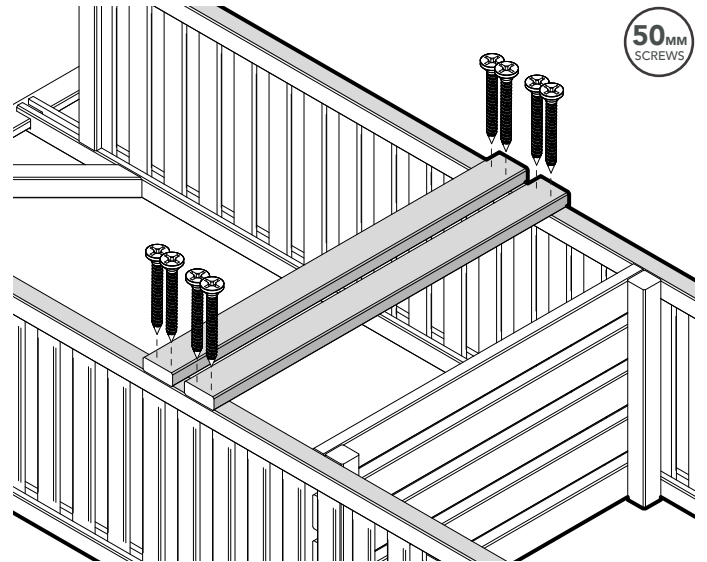
Slot the Braces onto the Long Rafter and butt the other end up against the Side Panel post as shown above. Secure a Brace in each corner.



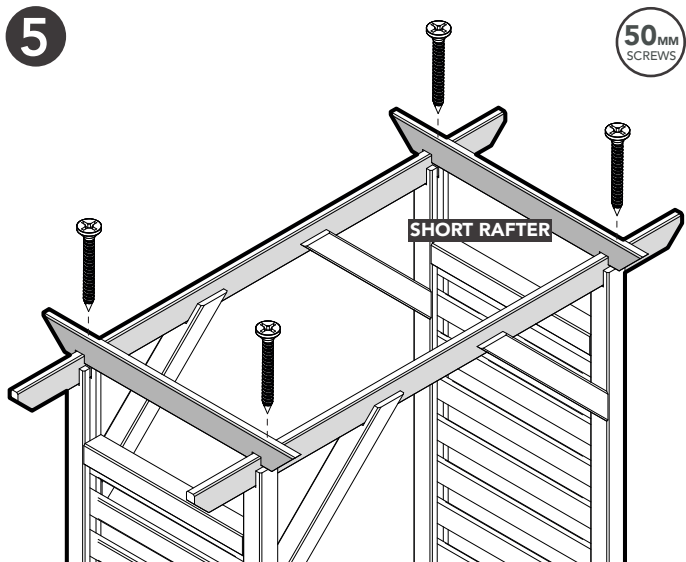
Turn the arbour over and secure the rest of the Braces as shown above.



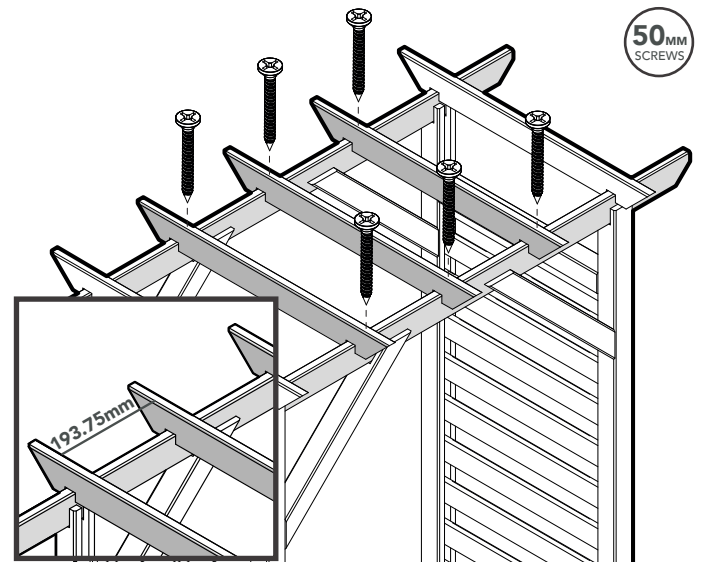
4 Position the Back Rest Battens using the measurements provided as a guide onto the Side Panels. Feel free to alter the measurements based on your preference.



Secure the Back Rest Battens to the Side Panel posts as shown above.



5 Position and secure the Short Rafters, starting with 2 x Short Rafters positioned centrally on the Side Panel posts as shown above.



Position and secure the rest of the Short Rafters, using the measurement provided to space evenly.

HEALTH & SAFETY

THE ROOF OF THIS ARCH IS NOT A LOAD BEARING STRUCTURE DO NOT CLIMB THIS PRODUCT

We strongly recommend that PPE (Personal Protective Equipment) is used throughout your build to ensure you are protected from any potential health and safety risks. **Do not exempt yourself from wearing PPE.**



CHECK YOU HAVE ALL YOUR PARTS PRIOR TO ASSEMBLY.

(The parts do not have codes on them. They are listed below should you need to order one.)

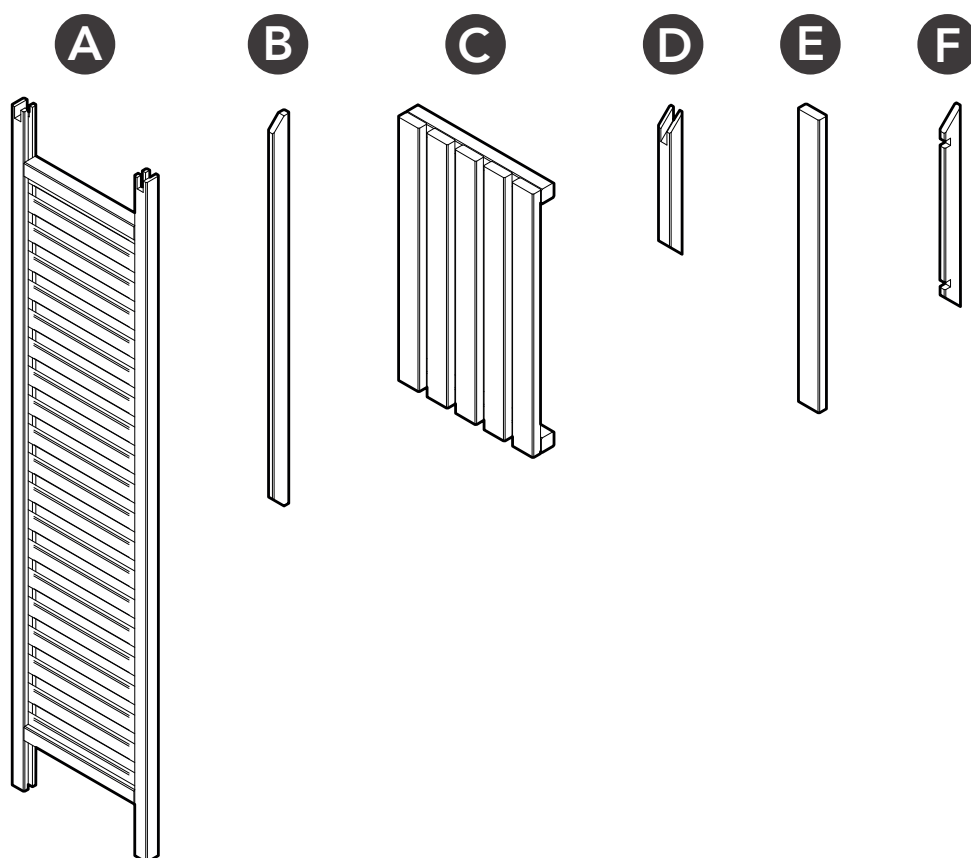
Timber is a natural material of which will shrink and swell as a result of varying moisture content.

Assembly of damaged parts may be deemed to be acceptance and this may affect the remedies you are entitled to. If the product is not constructed in accordance with the instructions, or is altered in anyway (e.g. painted), the manufacturer cannot be held liable for any resulting damage.

The components provided may be heavy. Please lift with caution and with a minimum of 2 people.

Slatted Palma Arbour (PALMAA)			
Label	Part Code	Description	No.
A	PALMASIDE	Side Panel 480x2090mm	2
B	58201200AII45PPT	Long Rafter 58x20x1200mm	2
C	PALMASEAT	Seat 480x810mm	1
D	45450439AII45PPT	Brace 45x45x439mm	4
E	75300900PPT	Back Rest Batten 75x30x900mm	2
F	58200620AII45PPT	Short Rafter 58x20x620mm	5

Use the labelled components to help identify the part code and description.



TREATED TIMBER CONTAINING A BIOCIDAL PRODUCT CONTROL OF WOOD DESTROYING ORGANISMS

Active Ingredients - Propiconazole, Tebuconazole, IPBC, Permethrine, Benzyl-C12-16-Alkyldimethyl Chlorides. (Dip Treated)
Basic Copper Carbonate, DDA Carbonate, DDA Chloride. (Pressure Treated)

Wear gloves when handling. Avoid inhalation of sawdust. Do not use in contact with drinking water or food. Do not use for animal bedding or in fish ponds. Dispose of treated wood responsibly.

