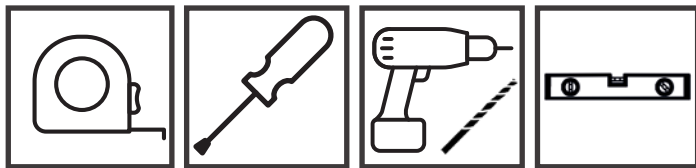


MODULAR SLATTED TRELIS PACK INSTRUCTIONS

We recommend using the following tools (not supplied):



Tape Measure

Pozidrive
Screwdriver

Drill & 2-3mm
Drill Bits

Spirit Level

PLEASE KEEP PLASTIC BAGS AND SMALL PARTS AWAY FROM CHILDREN

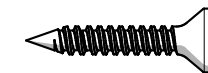
FIXING PACK CONTAINS:

FIXING PACK CODE: MODTRELPK2FP

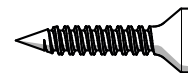


5 x 100mm Screws
QTY: 4

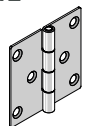
4 x 50mm Screws
QTY: 12



3.5 x 30mm Screws
QTY: 4



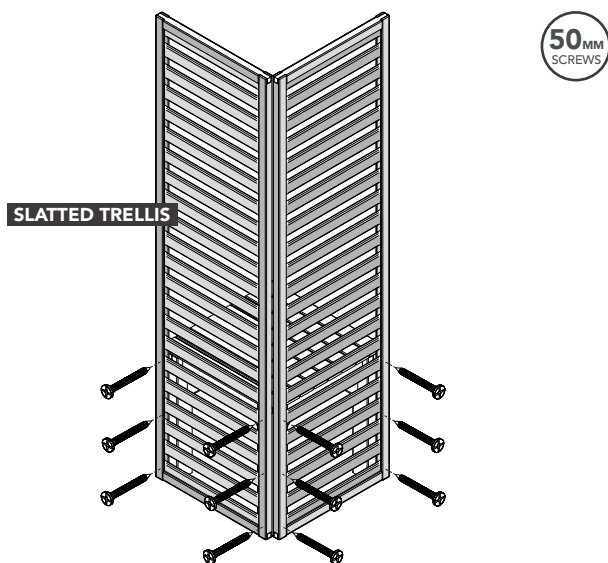
3.5 x 25mm Screws
QTY: 18



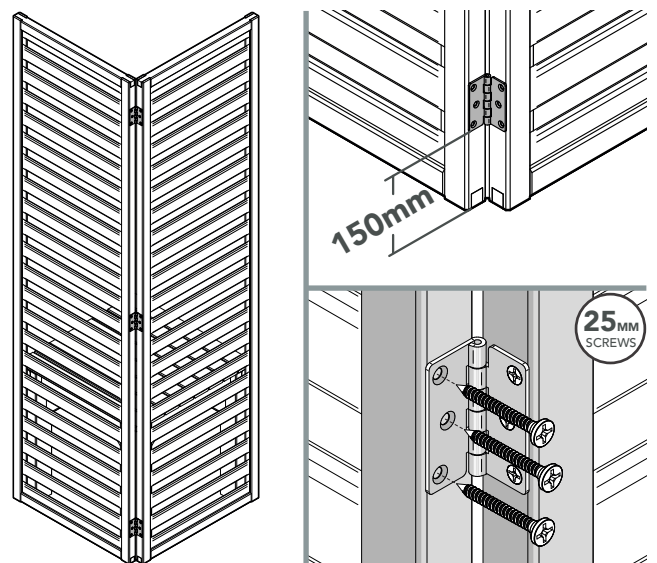
Butt Hinges
QTY: 3

CHECK AND TIGHTEN ALL THE FIXINGS APPLIED TO THIS PRODUCT ON A REGULAR BASIS.

ATTACHING YOUR TRELIS TO A CORNER



Position and secure your trellis to the seat legs or planter framework to hold in place. Ensure the trellis is flush to the seating or planter.



Position and secure the hinges to connect the trellis together. Approximately, position the hinges at 150mm from the top and bottom and one in the centre.



IMPORTANT
Assembly requires 2+ adults.

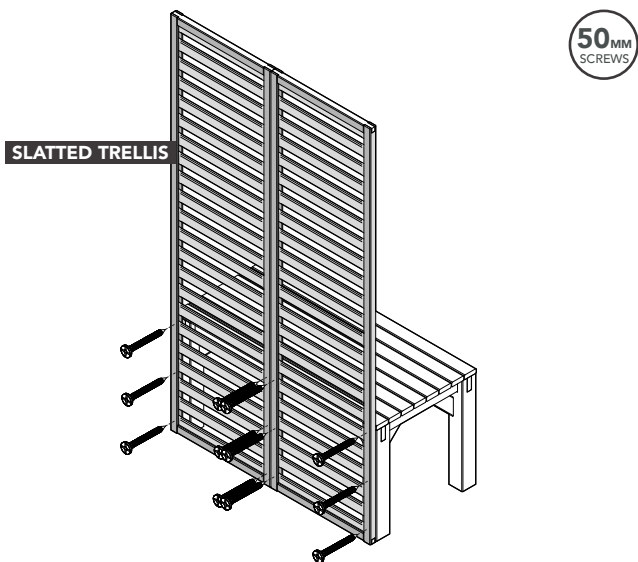


REMINDER
Always pre-drill before screwing.

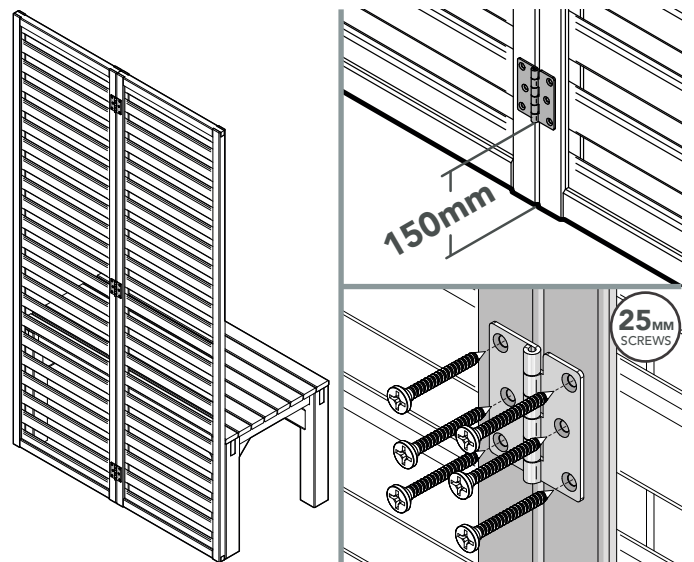
Missing something or need more information?
Call our aftersales team on
0333 321 3142

Visit our website for spare instructions and more information
www.forestgarden.co.uk

ATTACHING YOUR TRELLIS TO A FLAT SURFACE

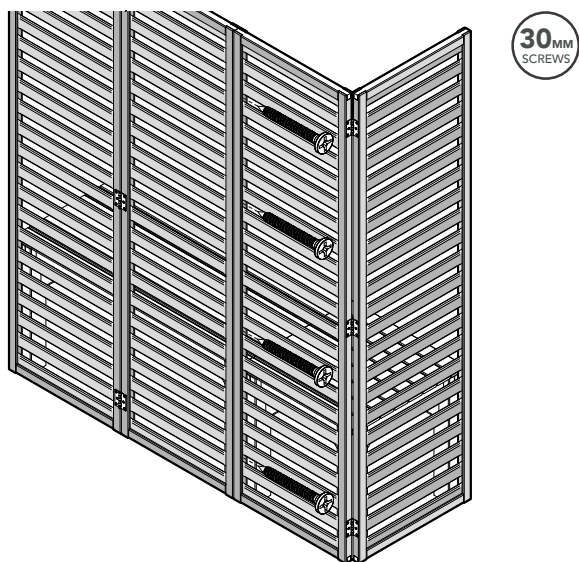


Position and secure your trellis to the seat legs or planter framework to hold in place. Ensure the trellis is flush to the seating or planter as shown above.

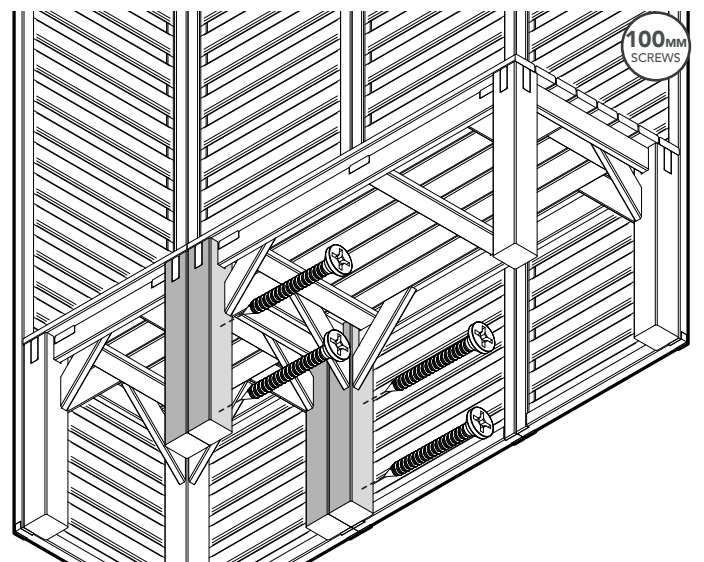


Position and secure the hinges to connect the trellis together. Approximately, position the hinges at 150mm from the top and bottom and one in the centre.

CONNECTING THE TRELLIS



For a run of trellis, the attached trellis will need to be positioned and secured together using 4 x 30mm screws into the rebated frame.



As timber is constantly moving and to ensure all of your trellis is flush, we have provided extra screws for you to connect the seating together if there is trellis attached behind. (screws not supplied for securing all furniture and planters together).

HEALTH & SAFETY

DO NOT CLIMB THIS PRODUCT

We strongly recommend that PPE (Personal Protective Equipment) is used throughout your build to ensure you are protected from any potential health and safety risks. **Do not exempt yourself from wearing PPE.**



CHECK YOU HAVE ALL YOUR PARTS PRIOR TO ASSEMBLY.

(The parts do not have codes on them. They are listed below should you need to order one.)

Timber is a natural material of which will shrink and swell as a result of varying moisture content.

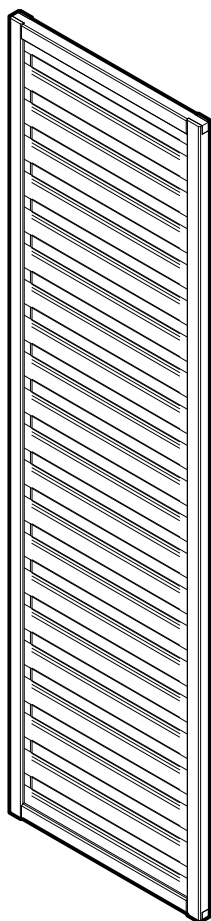
Assembly of damaged parts may be deemed to be acceptance and this may affect the remedies you are entitled to. If the product is not constructed in accordance with the instructions, or is altered in anyway (e.g. painted), the manufacturer cannot be held liable for any resulting damage.

The components provided may be heavy. Please lift with caution and with a minimum of 2 people.

Modular Slatted Trellis Pack (MODTRELPK2)			
Label	Part Code	Description	No.
A	BACKSLATPANEL	Slatted Trellis 500x1800mm	2

Use the labelled components to help identify the part code and description.

A



TREATED TIMBER CONTAINING A BIOCIDAL PRODUCT CONTROL OF WOOD DESTROYING ORGANISMS

Active Ingredients - Propiconazole, Tebuconazole, IPBC, Permethrine, Benzyl-C12-16-Alkyldimethyl Chlorides. (Dip Treated)
Basic Copper Carbonate, DDA Carbonate, DDA Chloride. (Pressure Treated)

Wear gloves when handling. Avoid inhalation of sawdust. Do not use in contact with drinking water or food. Do not use for animal bedding or in fish ponds. Dispose of treated wood responsibly.