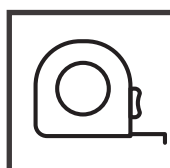
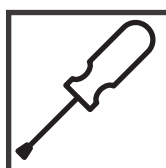


# MODULAR SEATING INSTRUCTIONS

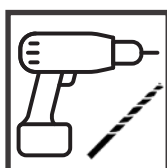
We recommend using the following tools (not supplied):



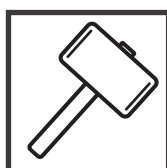
Tape Measure



Pozidrive  
Screwdriver



Drill & 2-3mm  
Drill Bits



Rubber Mallet

## FIXING PACK CONTAINS:

FIXING PACK CODE: *MODDOUBLEFP*



5 x **100mm** Screws  
QTY: 4

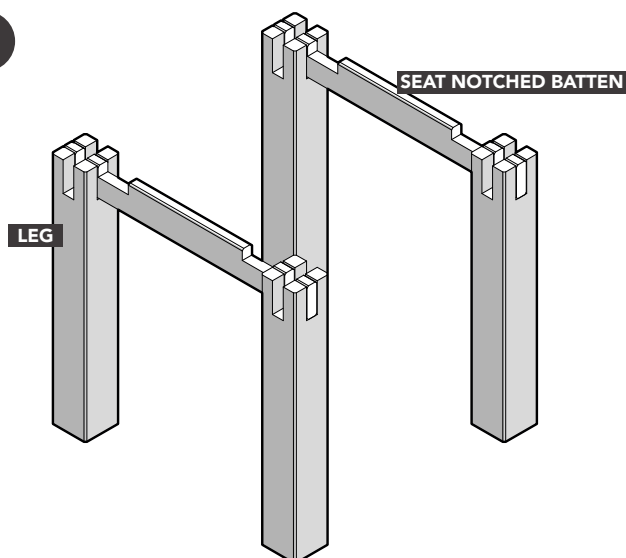


3.5 x **30mm** Screws  
QTY: 24

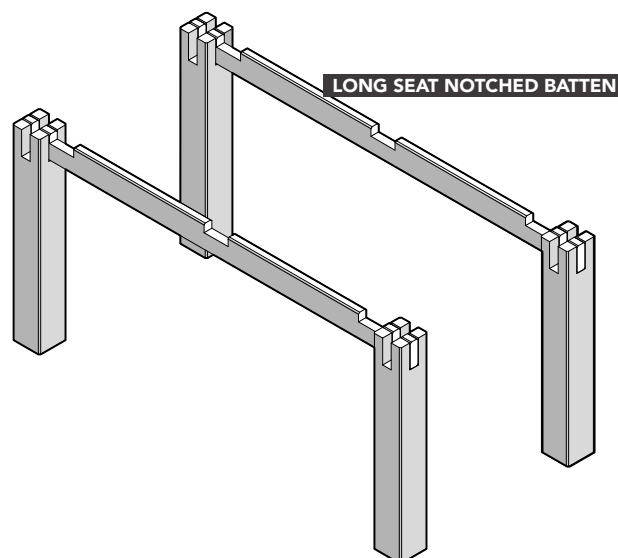
PLEASE KEEP PLASTIC BAGS AND SMALL PARTS AWAY FROM CHILDREN

CHECK AND TIGHTEN ALL THE FIXINGS APPLIED TO THIS PRODUCT ON A REGULAR BASIS.

1



Position the Legs and slot the Seat Notched Battens into the Legs as shown above.



Position the Legs and slot the Long Seat Notched Battens into the Legs as shown above.



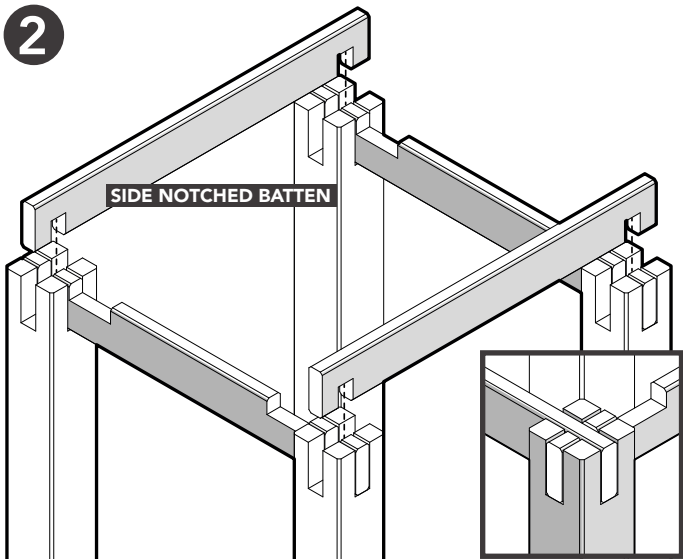
**IMPORTANT**  
Assembly requires 2+ adults.



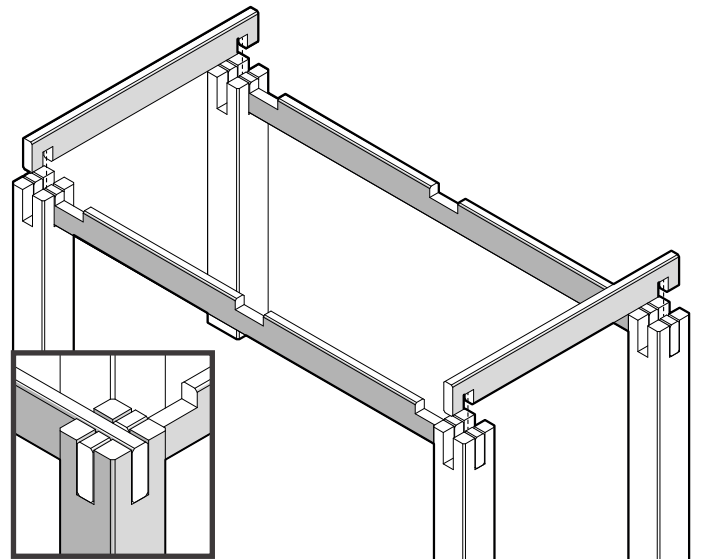
**REMINDER**  
Always pre-drill before screwing.

Missing something or need more information?  
Call our aftersales team on  
0333 321 3142

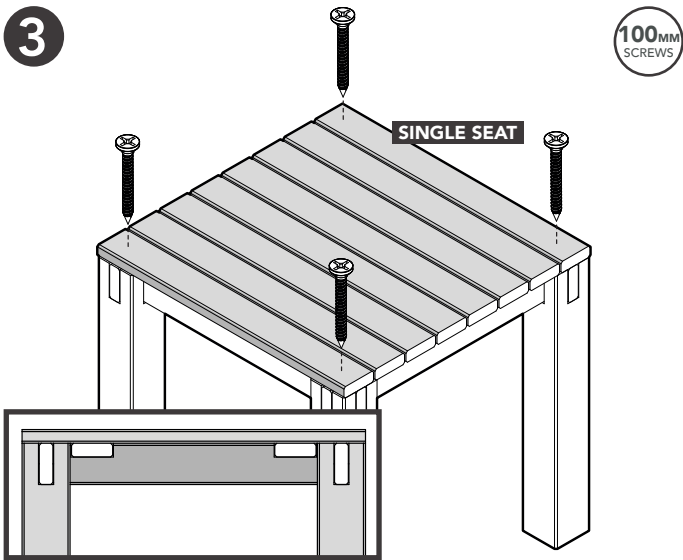
Visit our website for spare instructions and more information  
[www.forestgarden.co.uk](http://www.forestgarden.co.uk)



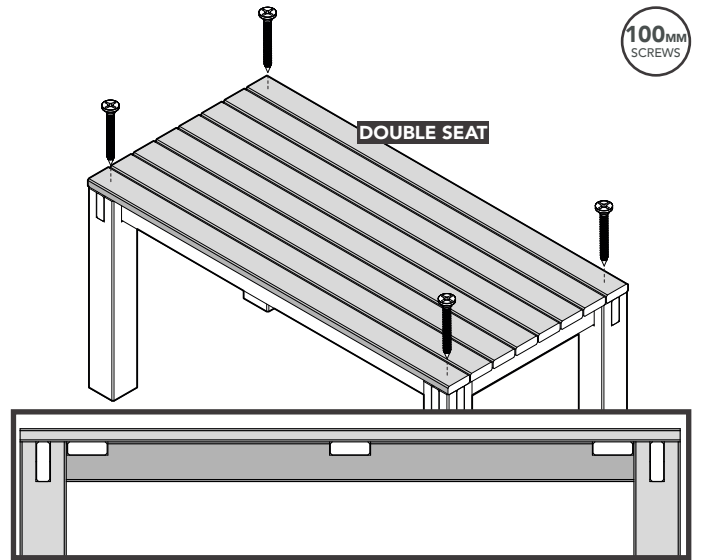
**2**  
Slot the Side Notched Battens into the Seat Notched Battens to connect all Legs together. Ensure the battens are flush at each Leg.



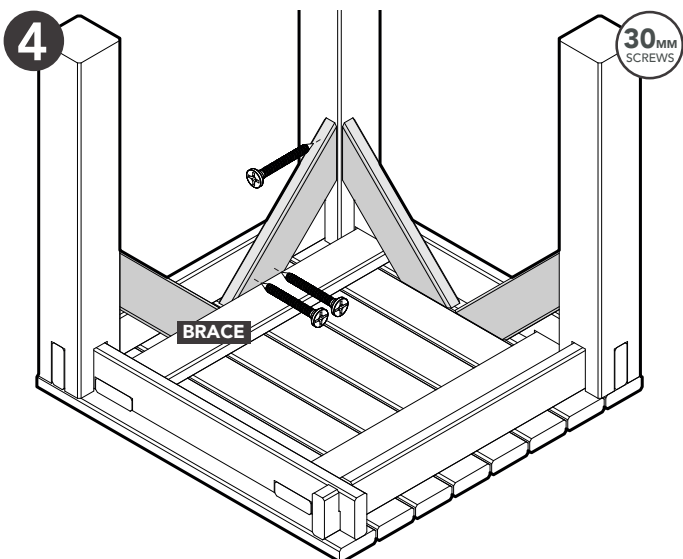
Slot the Side Notched Battens into the Long Seat Notched Battens to connect all Legs together. Ensure the battens are flush at each Leg.



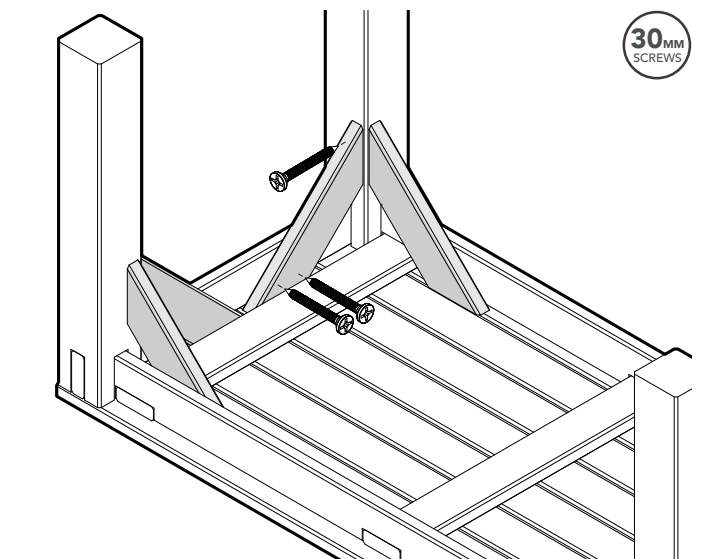
**3**  
Secure the Single Seat to the notched battens and Legs beneath. Ensure the seat slots into the notches provided and is flush to the Legs as shown above.



Secure the Double Seat to the notched battens and Legs beneath. Ensure the seat slots into the notches provided and is flush to the Legs as shown above.



**4**  
Position and secure the Braces to the Legs and notched battens as shown above. Attach 2 x Braces per Leg.



Position and secure the Braces to the Legs and notched battens as shown above. Attach 2 x Braces per Leg.

## CHECK YOU HAVE ALL YOUR PARTS PRIOR TO ASSEMBLY.

(The parts do not have codes on them. They are listed below should you need to order one.)

Timber is a natural material of which will shrink and swell as a result of varying moisture content.

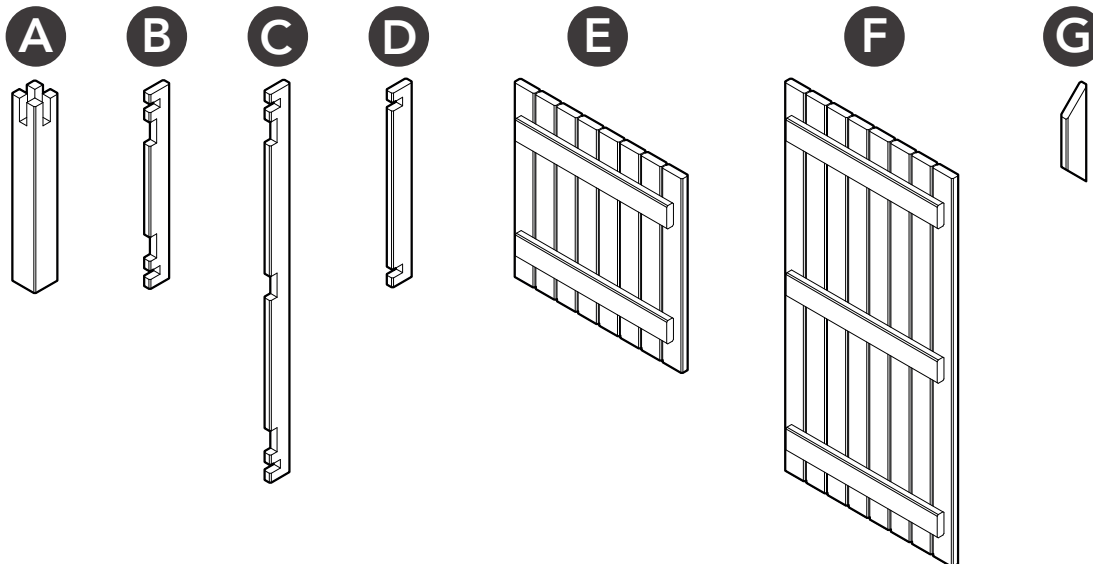
Assembly of damaged parts may be deemed to be acceptance and this may affect the remedies you are entitled to. If the product is not constructed in accordance with the instructions, or is altered in anyway (e.g. painted), the manufacturer cannot be held liable for any resulting damage.

The components provided may be heavy. Please lift with caution and with a minimum of 2 people.

Modular Single Seat (MODSINGLE)			
Label	Part Code	Description	No.
A	70700480LEGPPT	Leg 70x70x480mm	4
B	60200500N4PPT	Seat Notched Batten 60x20x500mm	2
D	60200500NPPT	Side Notched Batten 60x20x500mm	2
E	MODSINGLESEAT	Single Seat 500x500mm	1
G	60200250AII45PPT	Brace 60x20x250mm	8

Modular Double Seat (MODDOUBLE)			
Label	Part Code	Description	No.
A	70700480LEGPPT	Leg 70x70x480mm	4
C	60201000N5PPT	Long Seat Notched Batten 60x20x500mm	2
D	60200500NPPT	Side Notched Batten 60x20x500mm	2
F	MODDOUBLESEAT	Double Seat 500x1000mm	1
G	60200250AII45PPT	Brace 60x20x250mm	8

Use the labelled components to help identify the part code and description.



## HEALTH & SAFETY

### DO NOT STAND OR JUMP ON THESE PRODUCTS

We strongly recommend that PPE (Personal Protective Equipment) is used throughout your build to ensure you are protected from any potential health and safety risks. **Do not exempt yourself from wearing PPE.**



### TREATED TIMBER CONTAINING A BIOCIDAL PRODUCT CONTROL OF WOOD DESTROYING ORGANISMS

**Active Ingredients** - Propiconazole, Tebuconazole, IPBC, Permethrine, Benzyl-C12-16-Alkyldimethyl Chlorides. (Dip Treated)  
Basic Copper Carbonate, DDA Carbonate, DDA Chloride. (Pressure Treated)

Wear gloves when handling. Avoid inhalation of sawdust. Do not use in contact with drinking water or food. Do not use for animal bedding or in fish ponds. Dispose of treated wood responsibly.