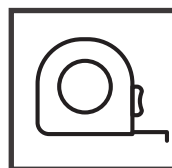


LARGE/MEDIUM WALL APEX LOG STORE

INSTRUCTIONS

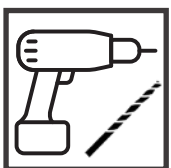
We recommend using the following tools (not supplied):



Tape Measure



Pozidrive
Screwdriver



Drill & 2-3mm
Drill Bits



Ladder

FIXING PACK CONTAINS:

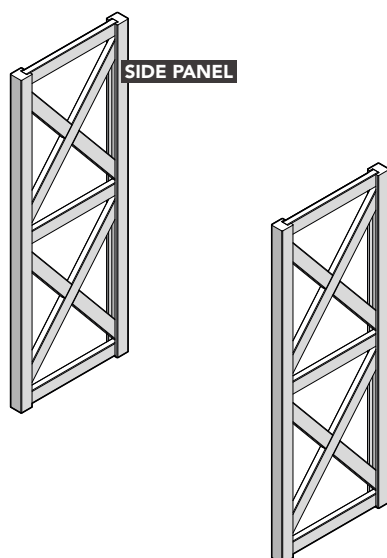
FIXING PACK CODE: LWLGSTFP



PLEASE KEEP PLASTIC BAGS AND SMALL PARTS AWAY FROM CHILDREN

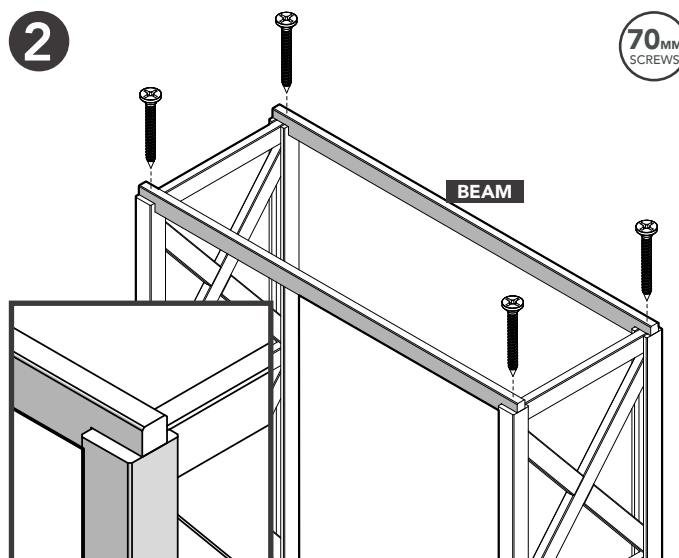
CHECK AND TIGHTEN ALL THE FIXINGS APPLIED TO THIS PRODUCT ON A REGULAR BASIS.

1



Position the Side Panels in your desired location. Your log store must be built on a solid and level base.

2



Position each Beam on top of the Side Panels. Ensure they are centrally positioned on the posts as shown above. Attach the Beams to the Side Panels.



IMPORTANT
Assembly requires 2+ adults.



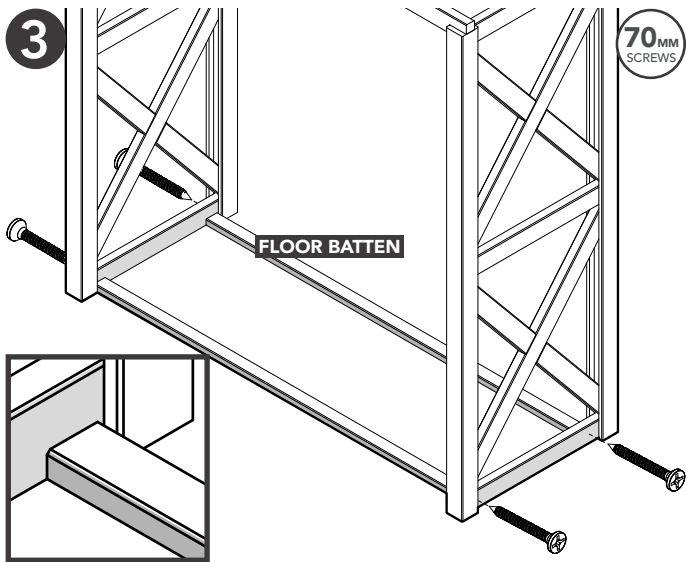
REMINDER
Always pre-drill before screwing.

Missing something or need more information?

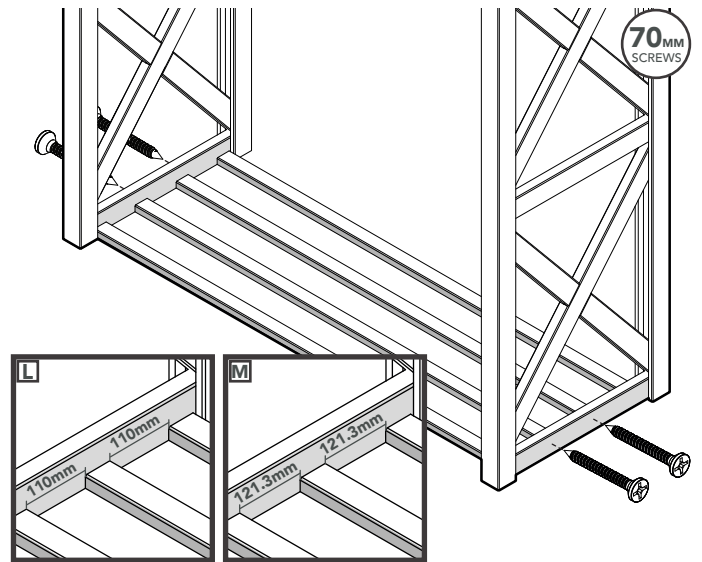
Call our aftersales team on
0333 321 3142

Visit our website for spare instructions and more information

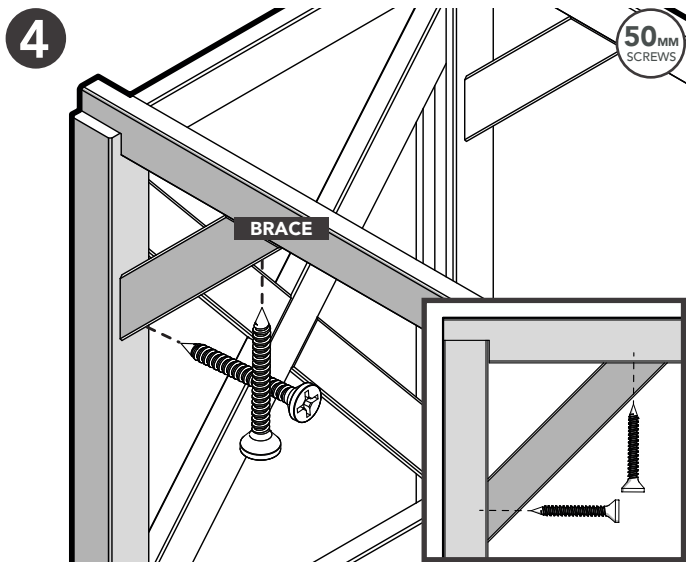
www.forestgarden.co.uk



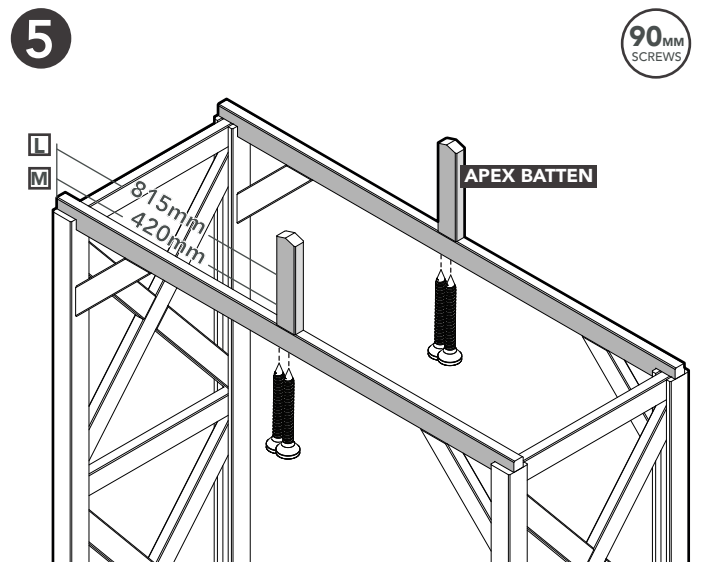
3 Position and secure 2 x Floor Battens to the Side Panels. Ensure the Floor Batten is flush to the post and bottom batten on the Side Panels as shown above.



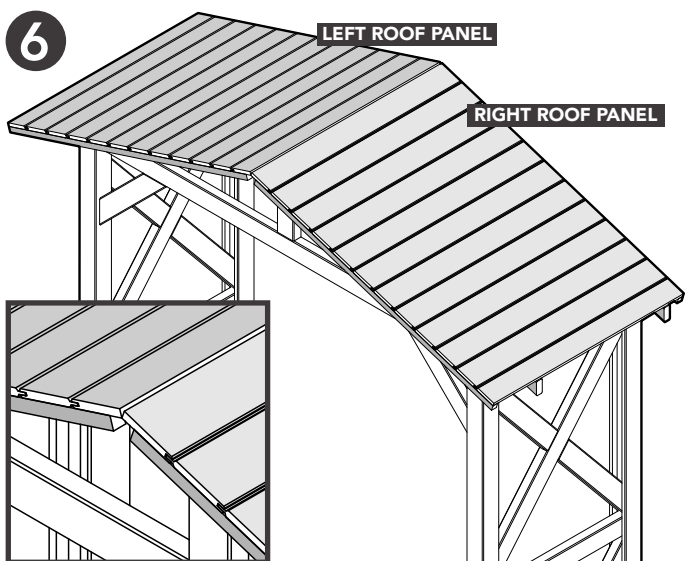
Position and secure the other Floor Battens to the Side Panels. Space each Floor Batten out evenly. Use the measurement provided which is relevant to your log store. (Large log store (L)) (Medium log store (M)).



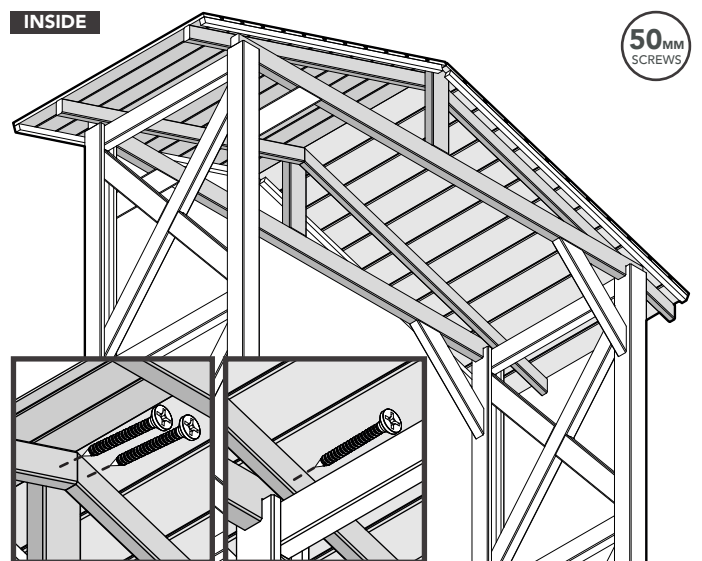
4 Position and secure each Brace to the Side Panels and Beams. Ensure the braces are positioned centrally on the post and Beam.



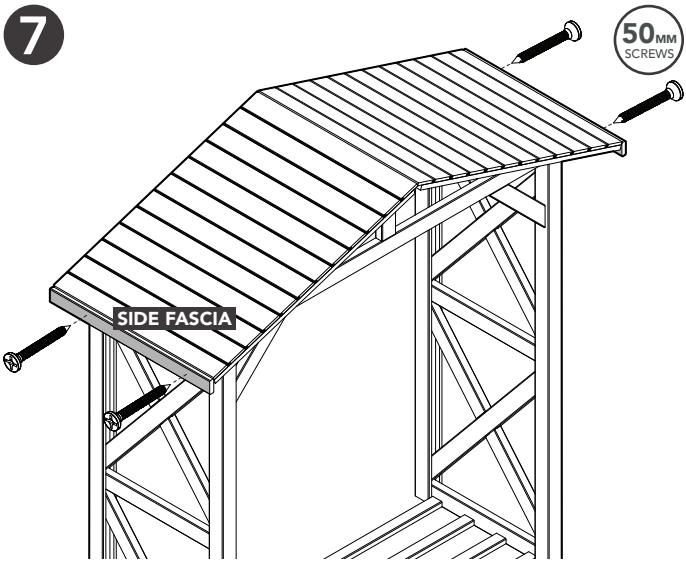
5 Position and secure an Apex Batten to each Beam. Ensure to position them on the Beams centrally before securing. Use the measurement provided which is relevant to your log store.



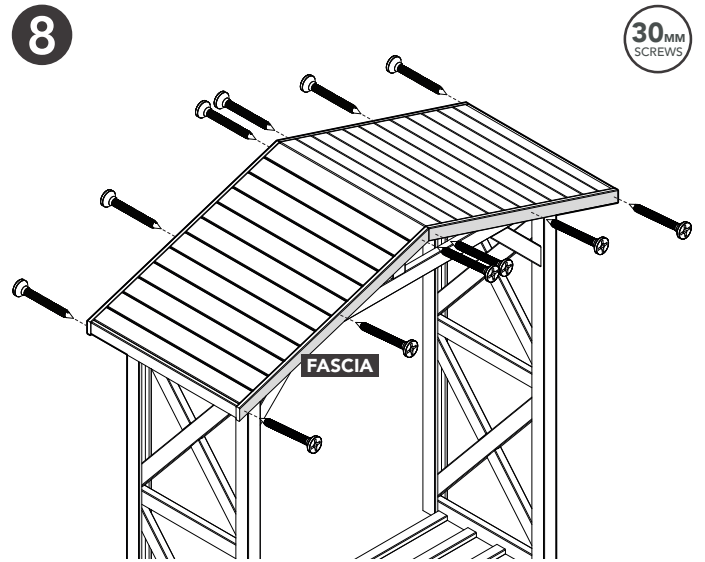
6 Place the Roof Panels onto the Apex Battens and Side Panels. Ensure the Roof Panels meet in the centre before securing.



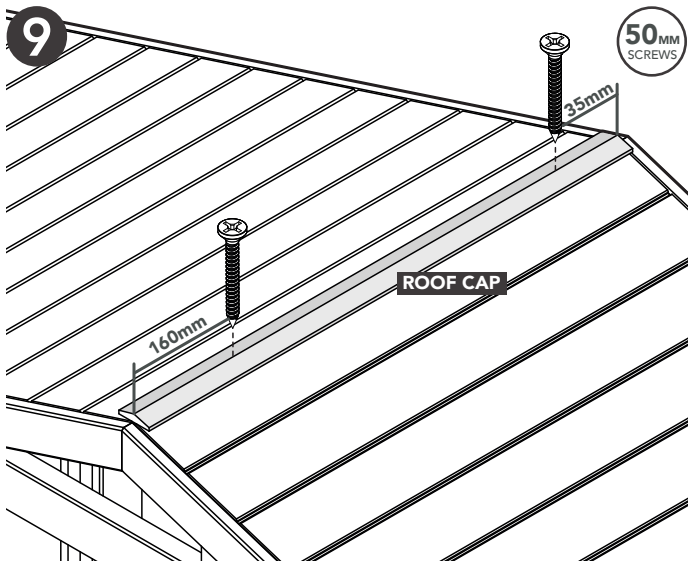
INSIDE Secure the Roof Panels to the Beams and Apex Battens once the Roof Panels have been positioned. Use 4 x screws per Roof Panel.



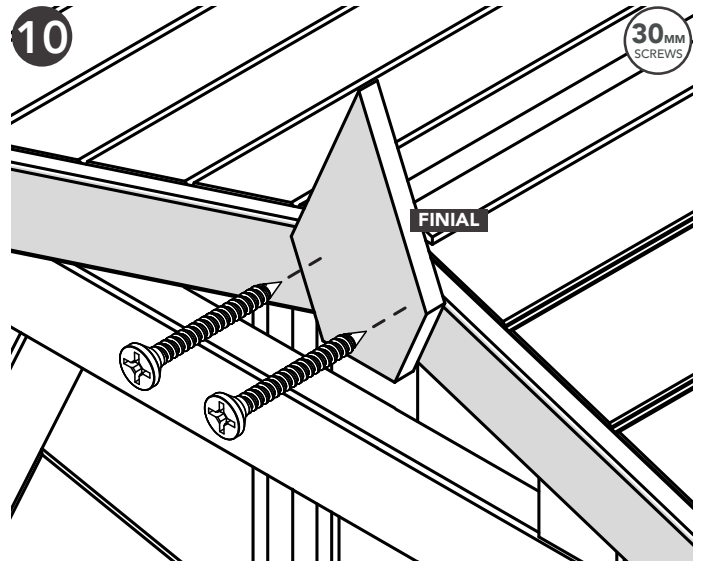
7 Position and secure the Side Fascias. Ensure the fascia is flush to the Roof Panel. Screw into the end of the roof battens to fix in place.



8 Position and secure the Fascias. Ensure the fascia is flush to the Roof Panels. Screw into the battens behind to fix in place.



9 Position the Roof Cap on to the centre of the roof and fix in place. Ensure to screw into the Apex Batten beneath, using the measurements provided.



10 Position and secure the Finial to the centre of the front Fascias.

Please note that the above assembly steps show the large wall apex log store. The assembly and fixings are the exact same for the medium wall apex log store. Any additional measurements have been included which are relevant to your chosen log store (L & M)

HEALTH & SAFETY

THE ROOF OF THIS LOG STORE IS NOT A LOAD BEARING STRUCTURE

We strongly recommend that PPE (Personal Protective Equipment) is used throughout your build to ensure you are protected from any potential health and safety risks. **Do not exempt yourself from wearing PPE.**



CHECK YOU HAVE ALL YOUR PARTS PRIOR TO ASSEMBLY.

(The parts do not have codes on them. They are listed below should you need to order one.)

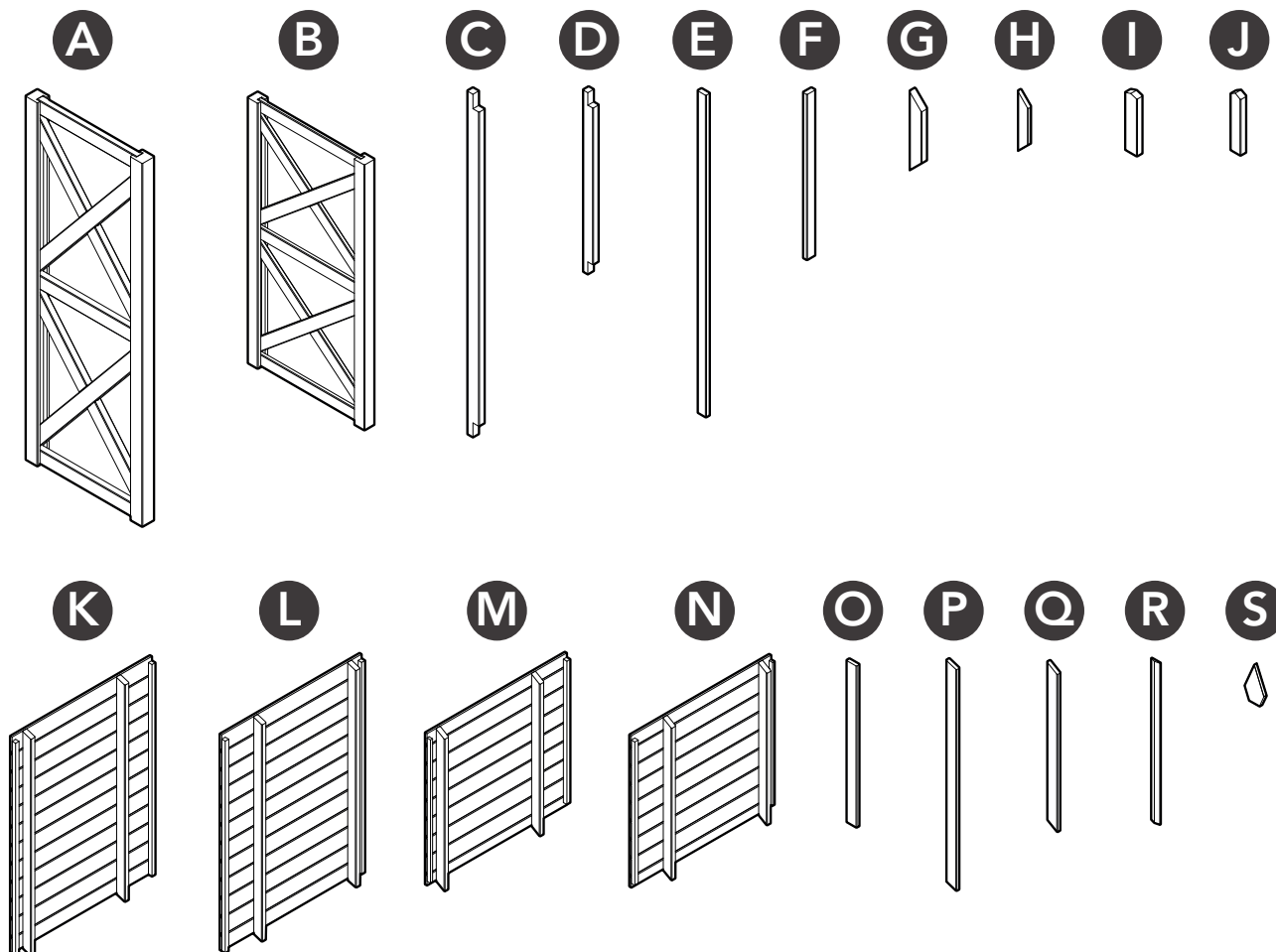
Timber is a natural material of which will shrink and swell as a result of varying moisture content.

Assembly of damaged parts may be deemed to be acceptance and this may affect the remedies you are entitled to. If the product is not constructed in accordance with the instructions, or is altered in anyway (e.g. painted), the manufacturer cannot be held liable for any resulting damage.

The components provided may be heavy. Please lift with caution and with a minimum of 2 people.

Large Wall Apex Log Store (LWLGST)				Medium Wall Apex Log Store (MWLGST)			
Label	Part Code	Description	No.	Label	Part Code	Description	No.
A	LWLGSTSIDE	Side Panel 670x1800mm	2	B	MWLGSTSIDE	Side Panel 670x1315mm	2
C	70351700HLPPT	Beam 70x35x1700mm	2	D	60350900HLPPT	Beam 60x35x900mm	2
E	50251595PPT	Floor Battens 50x25x1595mm	4	F	50250820PPT	Floor Battens 50x25x820mm	4
G	70350395AII45PPT	Brace 70x35x395mm	4	H	60200300AII45PPT	Brace 60x20x300mm	4
I	70350295AII18PPT	Apex Batten 70x35x295mm	2	J	60350295AII30PPT	Apex Batten 60x35x295mm	2
K	LWLGSTRHROOF	Right Hand Roof Panel 800x1090mm	1	M	MWLGSTRHROOF	Right Hand Roof Panel 782x800mm	1
L	LWLGSTLHROOF	Left Hand Roof Panel 800x1090mm	1	N	MWLGSTLHROOF	Left Hand Roof Panel 782x800mm	1
O	60200800PPT	Side Fascia 60x20x800mm	2	O	60200800PPT	Side Fascia 60x20x800mm	2
P	60201115AII72PPT	Fascia 60x20x1115mm	4	Q	60200815AII60PPT	Fascia 60x20x815mm	4
R	50120800RCPPT	Roof Cap 50x12x800mm	1	R	50120800RCPPT	Roof Cap 50x12x800mm	1
S	FIN110150185PPT	Finial 110x15x185mm	1	S	FIN110150185PPT	Finial 110x15x185mm	1

Use the labelled components to help identify the part code and description.



TREATED TIMBER CONTAINING A BIOCIDAL PRODUCT CONTROL OF WOOD DESTROYING ORGANISMS



Active Ingredients - Propiconazole, Tebuconazole, IPBC, Permethrine, Benzyl-C12-16-Alkyldimethyl Chlorides. (Dip Treated)
Basic Copper Carbonate, DDA Carbonate, DDA Chloride. (Pressure Treated)

Wear gloves when handling. Avoid inhalation of sawdust. Do not use in contact with drinking water or food. Do not use for animal bedding or in fish ponds. Dispose of treated wood responsibly.