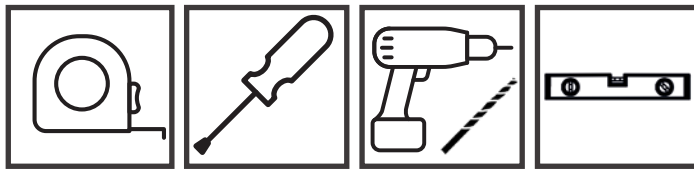


# PENT LOG & TOOL STORE INSTRUCTIONS

We recommend using the following tools (not supplied):



Tape Measure

Pozidrive  
Screwdriver

Drill & 2-3mm  
Drill Bits

Spirit Level

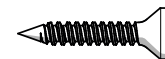
PLEASE KEEP PLASTIC BAGS AND SMALL PARTS AWAY FROM CHILDREN

## FIXING PACK CONTAINS:

FIXING PACK CODE: *LTSPFP*



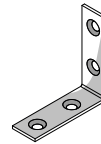
5 x 60mm Screws  
QTY: 15



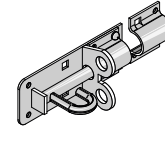
3.5 x 30mm Screws  
QTY: 69



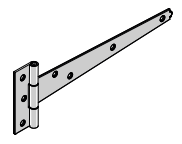
3.5 x 25mm Screws  
QTY: 34



50mm L-Brackets  
QTY: 4

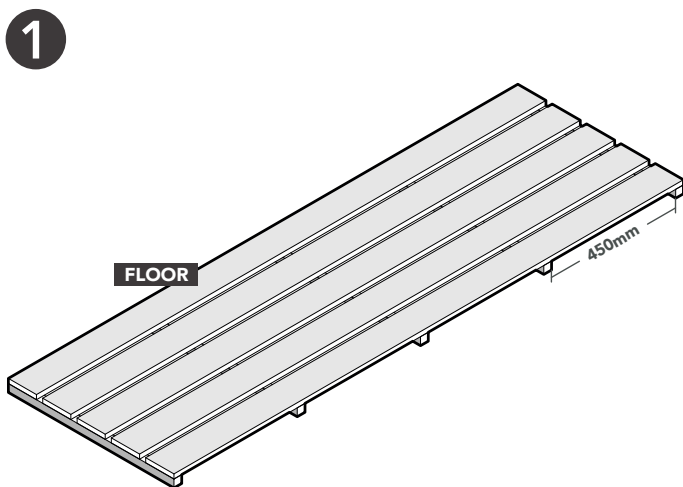


Padbolt  
QTY: 1

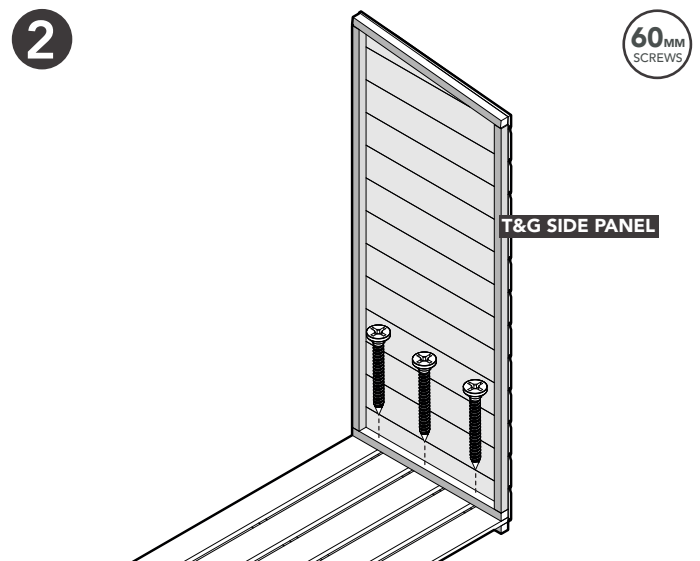


Tee Hinges  
QTY: 2

CHECK AND TIGHTEN ALL THE FIXINGS APPLIED TO THIS PRODUCT ON A REGULAR BASIS.



**1** Position the Floor in your desired location. Your log store must be built on a **solid and level base**. Measure and take note of the 450mm spacing on the one side.



**2** Attach the T&G Side Panel to the Floor. Ensure to attach the panel to the side with the 450mm spacing. This space provided is for your tool store.



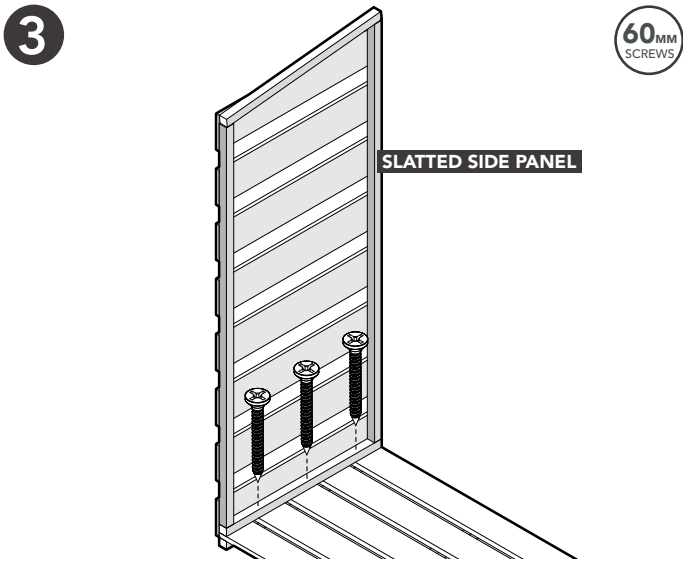
**IMPORTANT**  
Assembly requires 2+ adults.



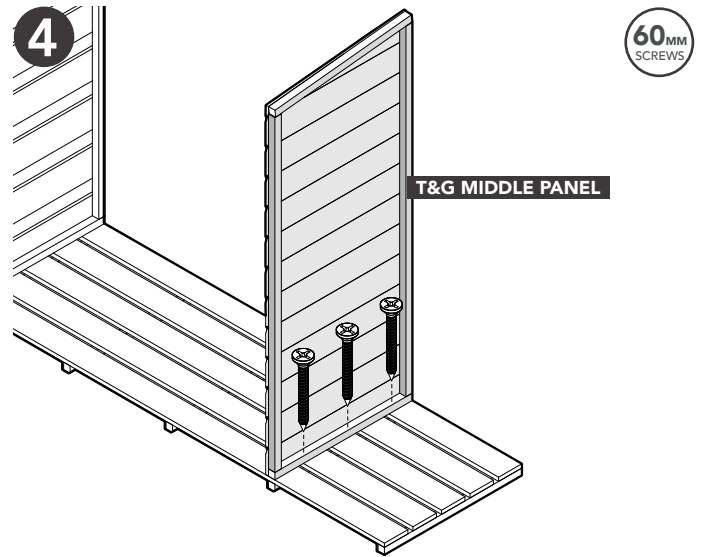
**REMINDER**  
Always pre-drill before screwing.

**Missing something or need more information?**  
Call our aftersales team on  
0333 321 3142

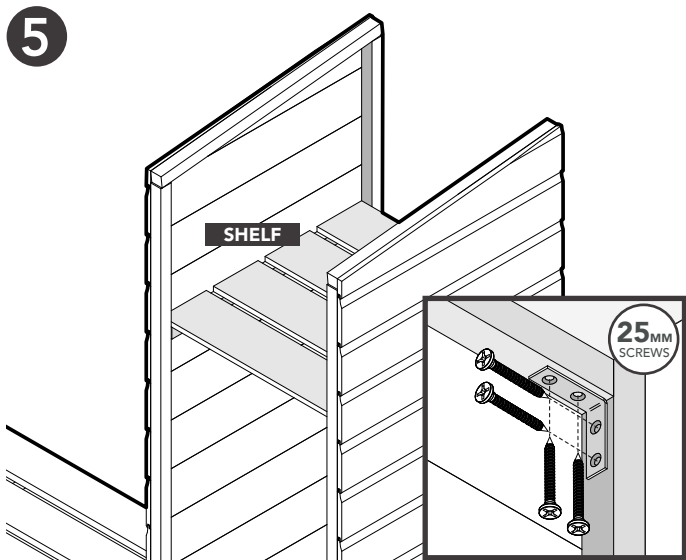
**Visit our website for spare instructions and more information**  
[www.forestgarden.co.uk](http://www.forestgarden.co.uk)



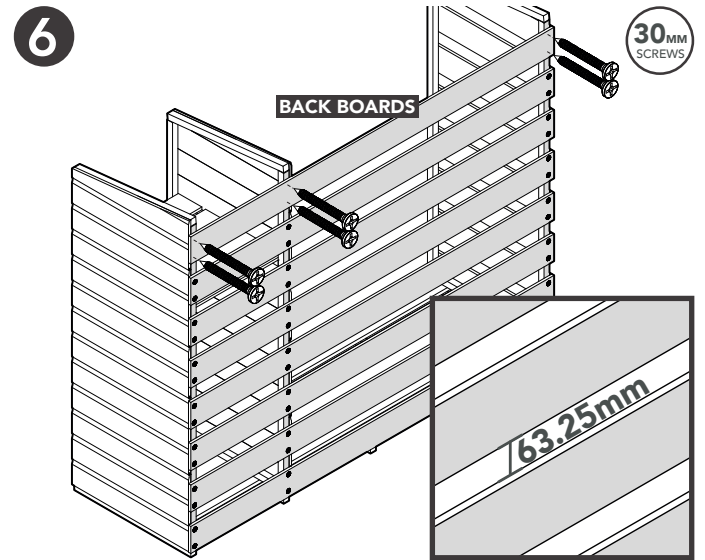
**3** Position and secure the Slatted Side Panel. Ensure the panel is flush to the floor and secure to the bearer underneath.



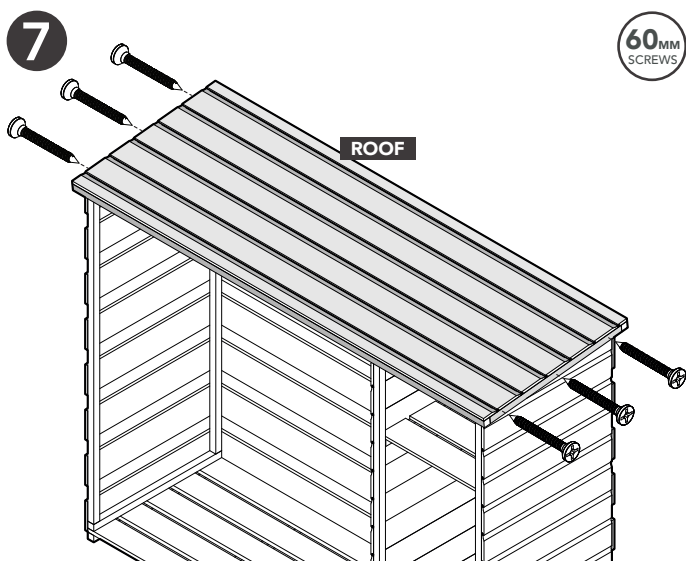
**4** Attach the T&G Middle Panel to the Floor. Ensure the panel is flush to the floor and secure to the bearer underneath.



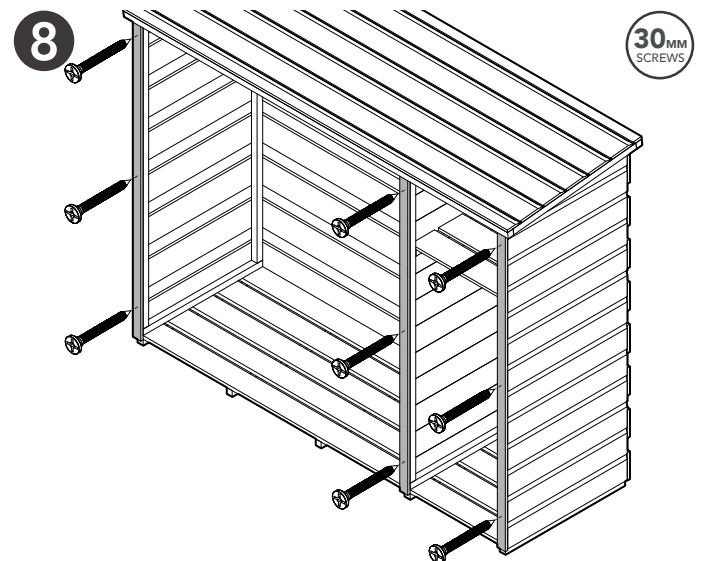
**5** Position the Shelf at your desired height and secure to the panels using an L-bracket underneath at each corner. Ensure the shelf is level when fixing in place.



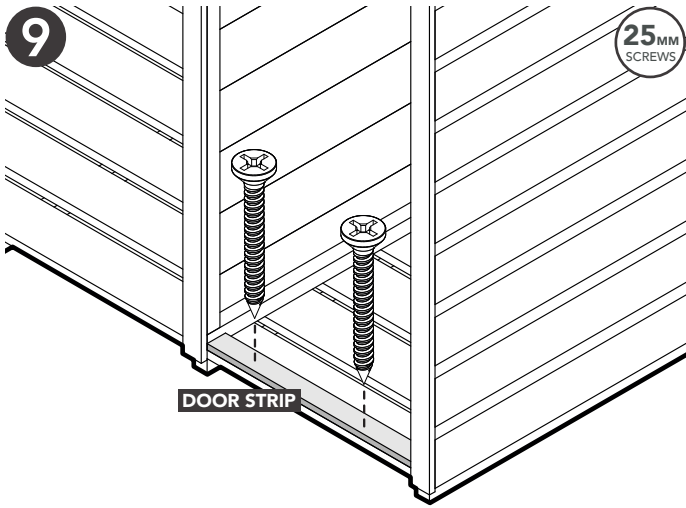
**6** Attach the Back Boards to the panels, using 2 x 30mm screws per panel. Ensure the Back Boards line up with the boards on the Slatted Side Panel.



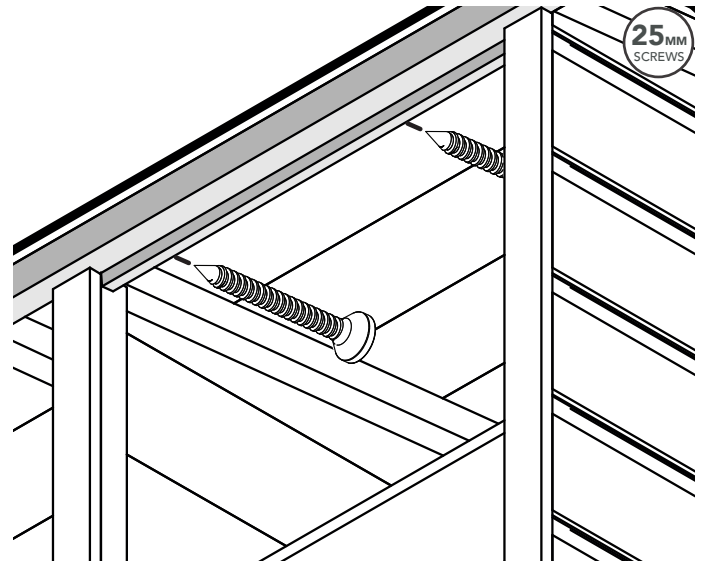
**7** Position the Roof on top of the panels. Ensure the Roof's side and front battens are in contact with the side panels, before securing in place. Push the Roof forward at the front, so there will be an overhang at the back.



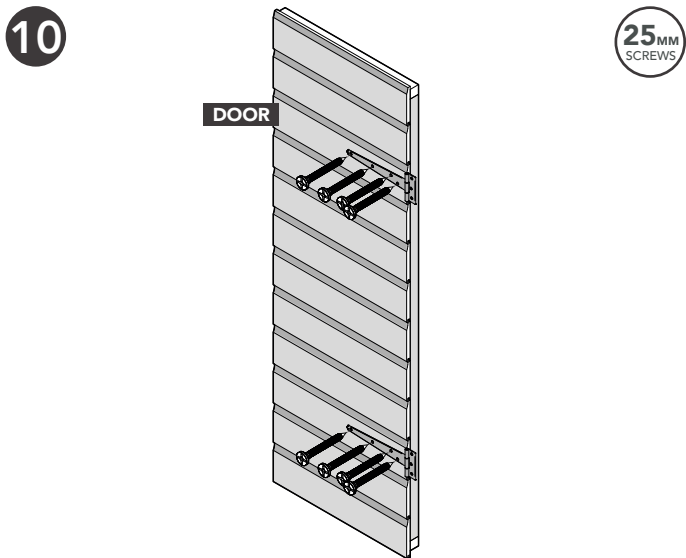
**8** Attach the Cover Strips. Attach 1 x Cover strip to each panel as shown above.



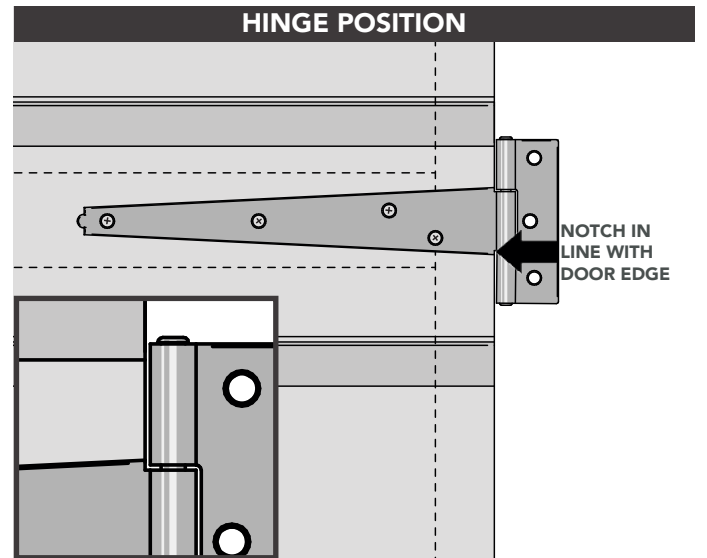
**9** Position and secure the Door Strips. Secure the first Door Strip to the floor into the door opening.



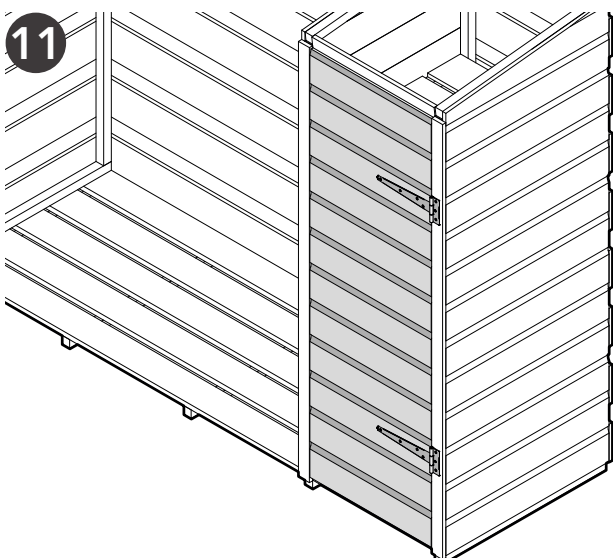
Secure the second Door Strip to the Roof batten above the the door opening as shown above.



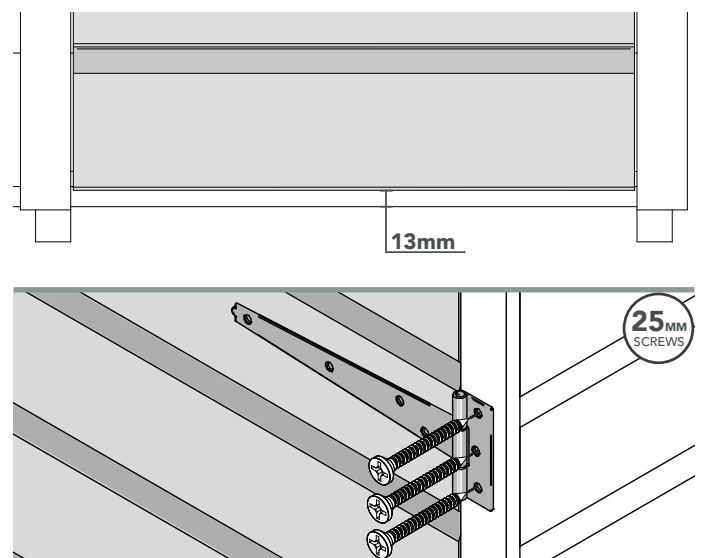
**10** Position and secure the Tee Hinges to the Door. Take note of the hinge position before securing into place. Ensure to screw into the battens behind.

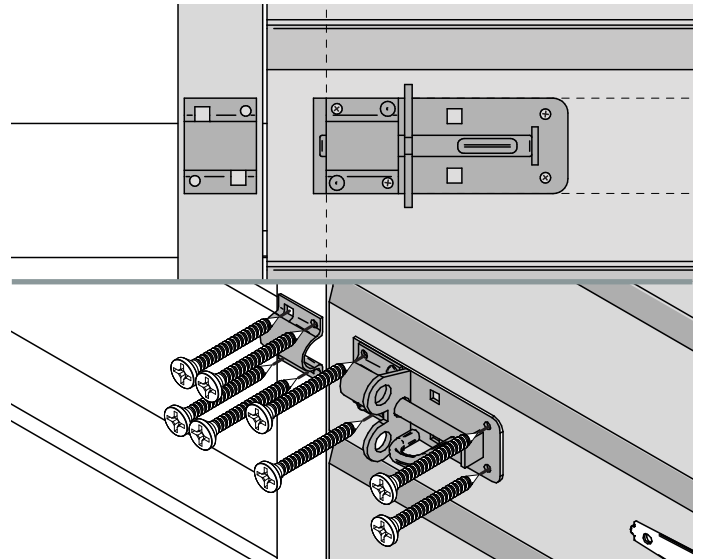
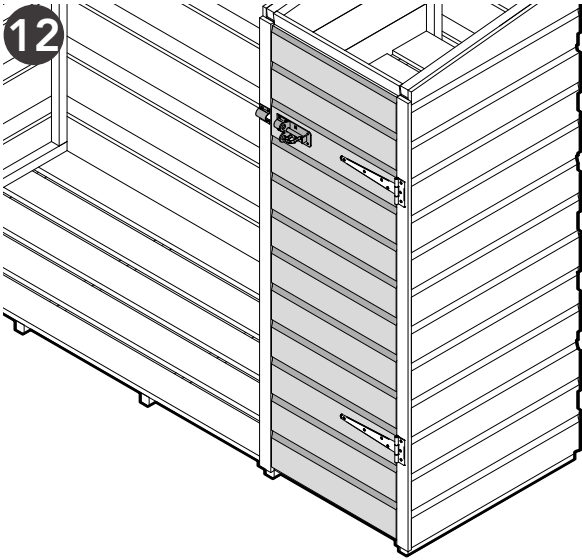


Ensure the notch on the Tee Hinge is in line with the Door edge as shown above.

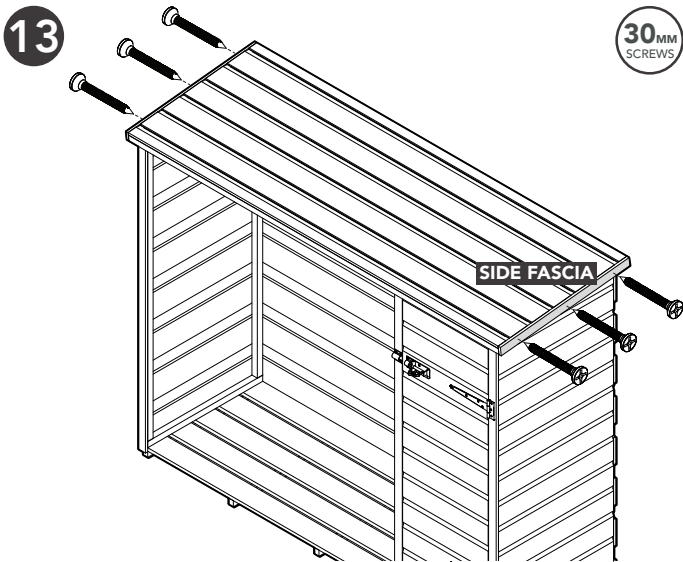


**11** Position and secure the Tee Hinges to the Cover Strip. Take note of the measurement above when positioning your Door into the door opening, and ensure the Door has approximately a 2mm gap in between the Door and Cover Strips.

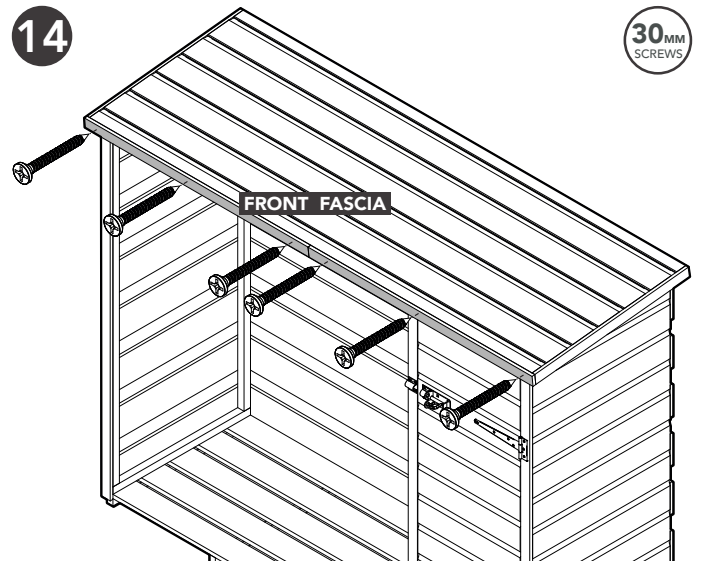




Fix the Padbolt as shown above. Ensure the screws for the lock go into the Door framework behind. Attach the receiver to the Cover Strip. Use the additional Padbolt fixings supplied.



30MM  
SCREWS



30MM  
SCREWS

Position and secure the Side Fascias. Ensure they are flush to the Roof.

Position and secure the Front Fascias. Ensure they are flush to the Roof.

## HEALTH & SAFETY

### THE ROOF OF THIS LOG STORE IS NOT A LOAD BEARING STRUCTURE

We strongly recommend that PPE (Personal Protective Equipment) is used throughout your build to ensure you are protected from any potential health and safety risks. **Do not exempt yourself from wearing PPE.**



## CHECK YOU HAVE ALL YOUR PARTS PRIOR TO ASSEMBLY.

(The parts do not have codes on them. They are listed below should you need to order one.)

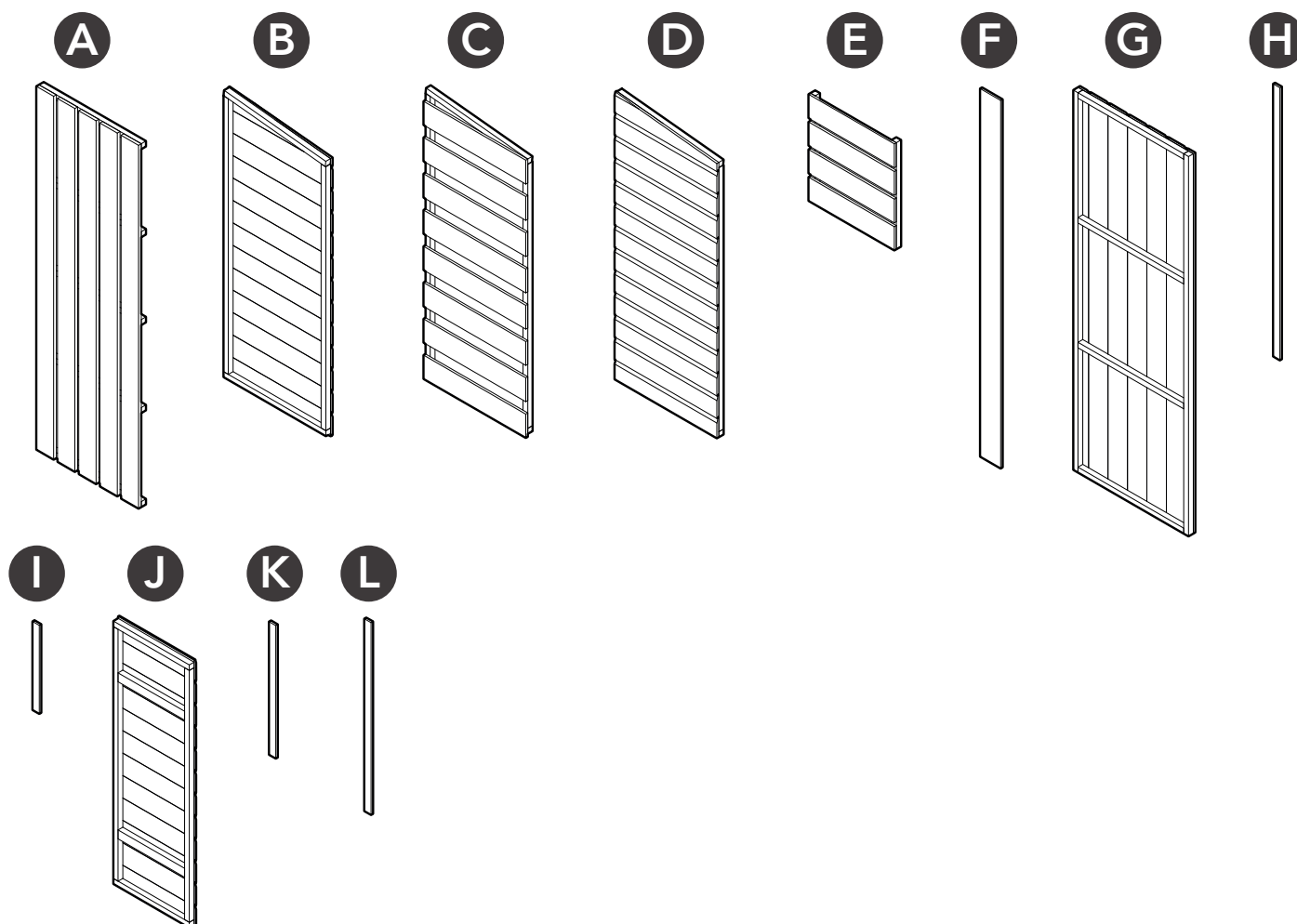
Timber is a natural material of which will shrink and swell as a result of varying moisture content.

Assembly of damaged parts may be deemed to be acceptance and this may affect the remedies you are entitled to. If the product is not constructed in accordance with the instructions, or is altered in anyway (e.g. painted), the manufacturer cannot be held liable for any resulting damage.

The components provided may be heavy. Please lift with caution and with a minimum of 2 people.

Pent Log And Tool Store (LTSP)			
Label	Part Code	Description	No.
A	LTSPFLOOR	Floor 600x1846mm	1
B	LTSPRHSIDE	T&G Side Panel 600x1474mm	1
C	LTSPLSIDE	Slatted Side Panel 600x1474mm	1
D	LTSPMID	T&G Middle Panel 600x1459mm	1
E	LTSPSHELF	Shelf 504x542mm	1
F	121121870PPT	Back Board 121x12x1870mm	8
G	LTSPROOF	Roof 676x1930mm	1
H	40121385PPT	Cover Strip 40x12x1385mm	3
I	40120450PPT	Door Strip 40x12x450mm	2
J	LTSPDOOR	Door 446x1364mm	1
K	40120676PPT	Side Fascia 40x12x676mm	2
L	40120977PPT	Front Fascia 40x12x977mm	2

Use the labelled components to help identify the part code and description.



### TREATED TIMBER CONTAINING A BIOCIDAL PRODUCT CONTROL OF WOOD DESTROYING ORGANISMS

**Active Ingredients** - Propiconazole, Tebuconazole, IPBC, Permethrine, Benzyl-C12-16-Alkyldimethyl Chlorides. (Dip Treated)  
Basic Copper Carbonate, DDA Carbonate, DDA Chloride. (Pressure Treated)

Wear gloves when handling. Avoid inhalation of sawdust. Do not use in contact with drinking water or food. Do not use for animal bedding or in fish ponds. Dispose of treated wood responsibly.

