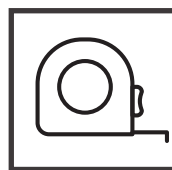


LINEAR PLANTER

INSTRUCTIONS (800mm & 1200mm)

We recommend using the following tools (not supplied):



Tape Measure

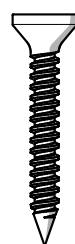


Pozidrive
Screwdriver



Drill & 2-3mm
Drill Bits

FIXING PACK CONTAINS:
FIXING PACK CODE: LINPL120FP



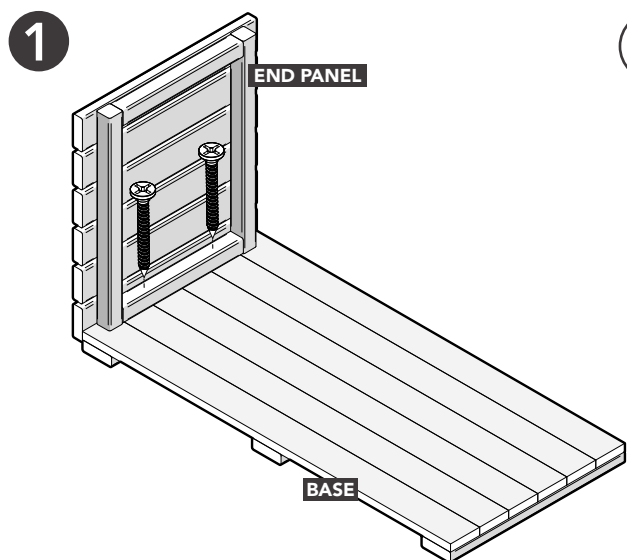
4 x 50mm Screws
QTY: 20



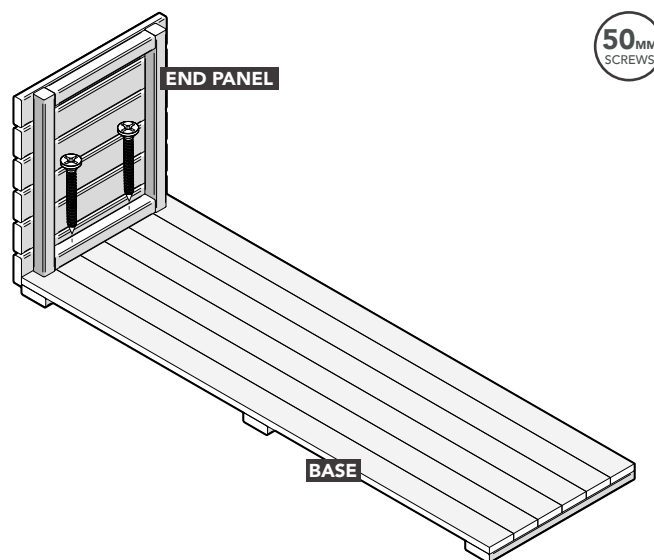
4 x 40mm Screws
QTY: 12

PLEASE KEEP PLASTIC BAGS AND SMALL PARTS AWAY FROM CHILDREN

CHECK AND TIGHTEN ALL THE FIXINGS APPLIED TO THIS PRODUCT ON A REGULAR BASIS.



Position and secure the End Panel to the Base. Ensure the End Panel is flush to the edge of the Base.



Position and secure the End Panel to the Base. Ensure the End Panel is flush to the edge of the Base.



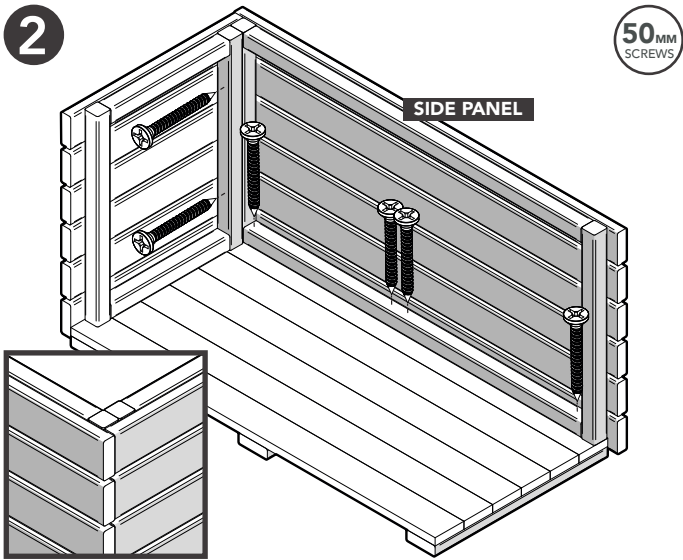
IMPORTANT
Assembly requires 2+ adults.



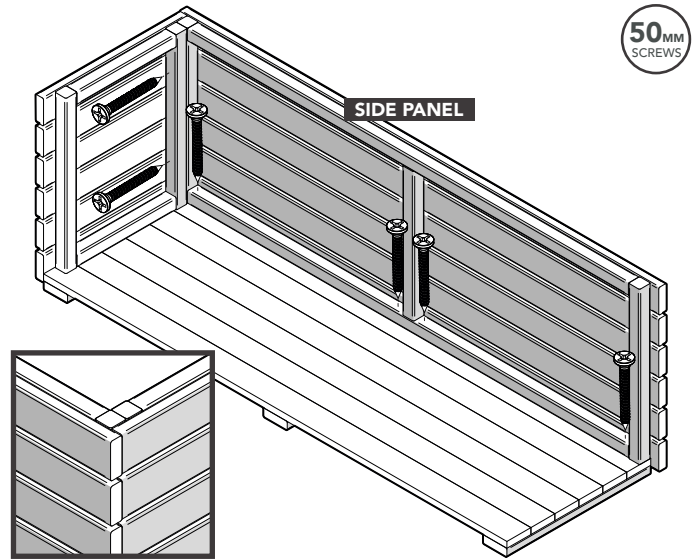
REMINDER
Always pre-drill before screwing.

Missing something or need more information?
Call our aftersales team on
0333 321 3142

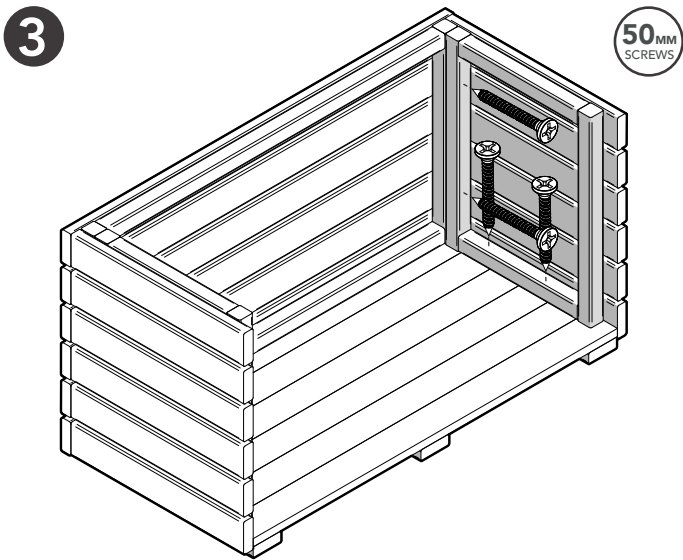
Visit our website for spare instructions and more information
www.forestgarden.co.uk



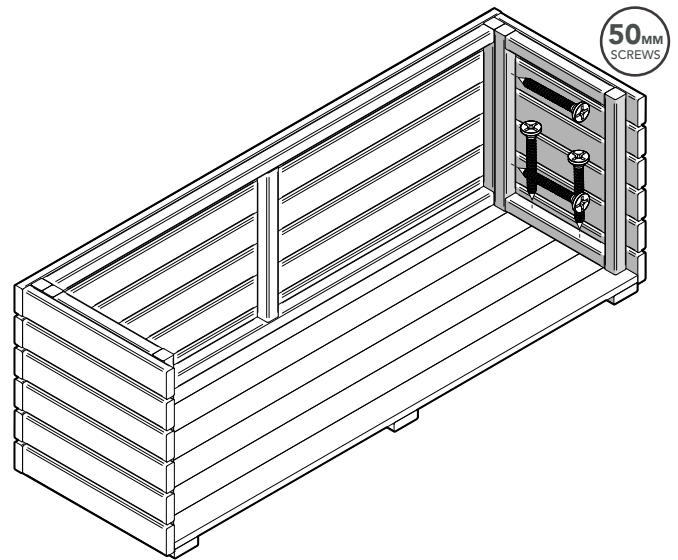
2 Position and secure the Side Panel to the Base and End Panel. Ensure the Side Panel is flush to the End Panel and screw into the floor bearers beneath.



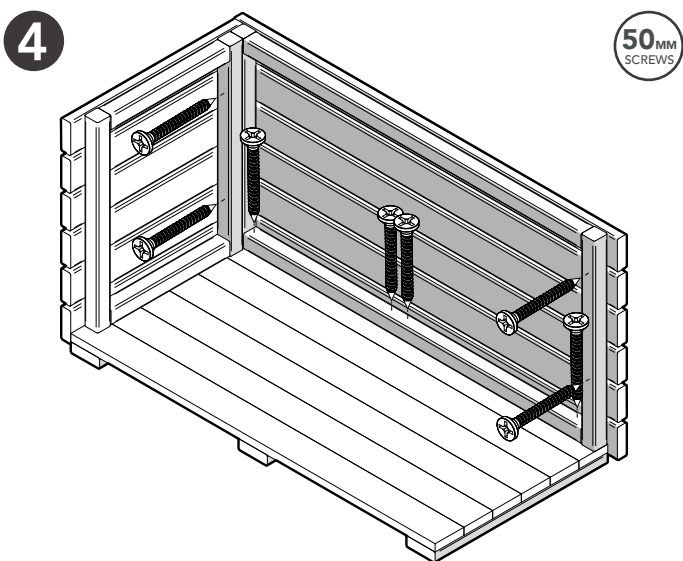
Position and secure the Side Panel to the Base and End Panel. Ensure the Side Panel is flush to the End Panel and screw into the floor bearers beneath.



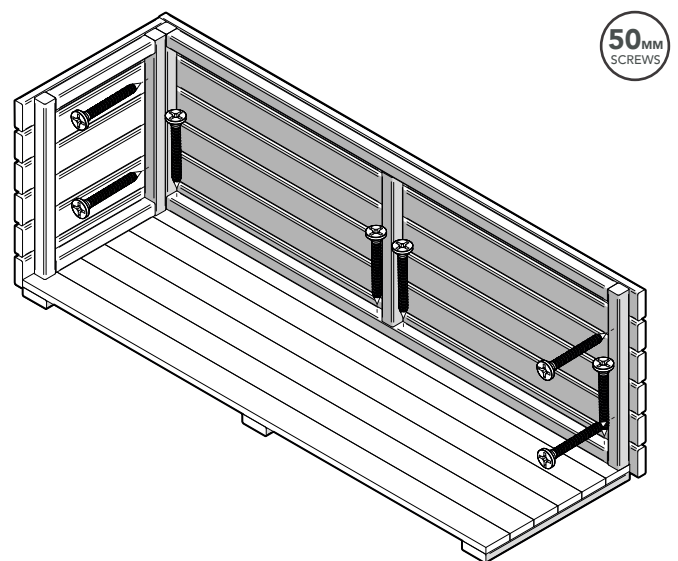
3 Position and secure the End Panel to the Base and Side Panel. Ensure the End Panel is butt up to the Side Panel and screw into the floor bearer beneath.



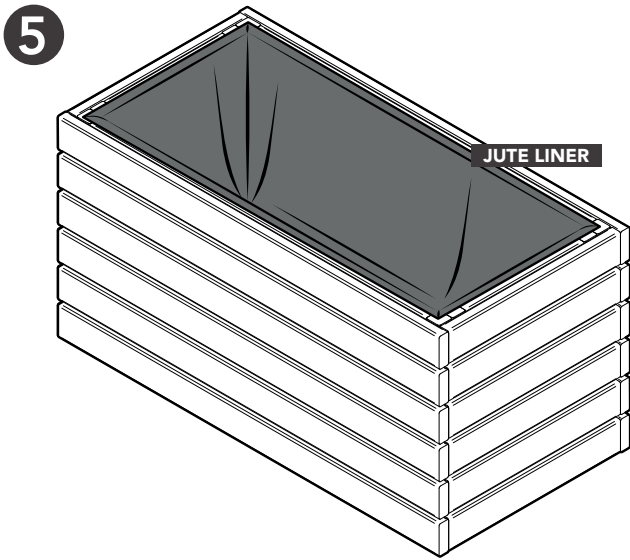
Position and secure the End Panel to the Base and Side Panel. Ensure the End Panel is butt up to the Side Panel and screw into the floor bearer beneath.



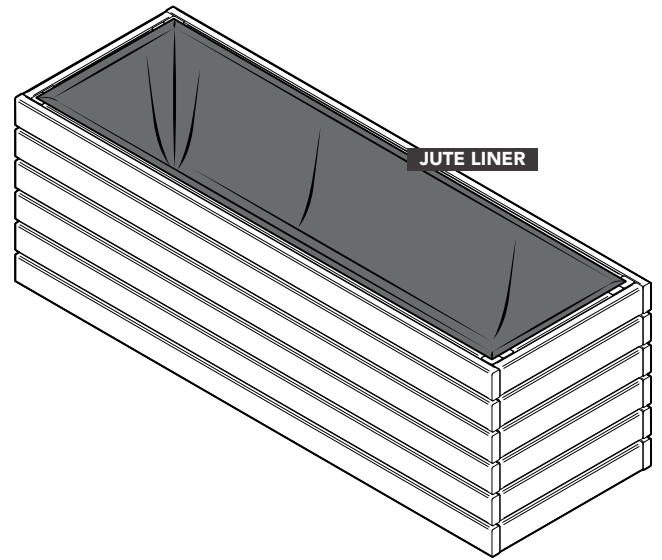
4 Position and secure the final Side Panel to the Base and End Panels. Ensure the Side Panel is flush to the End Panels and screw into the floor bearers beneath.



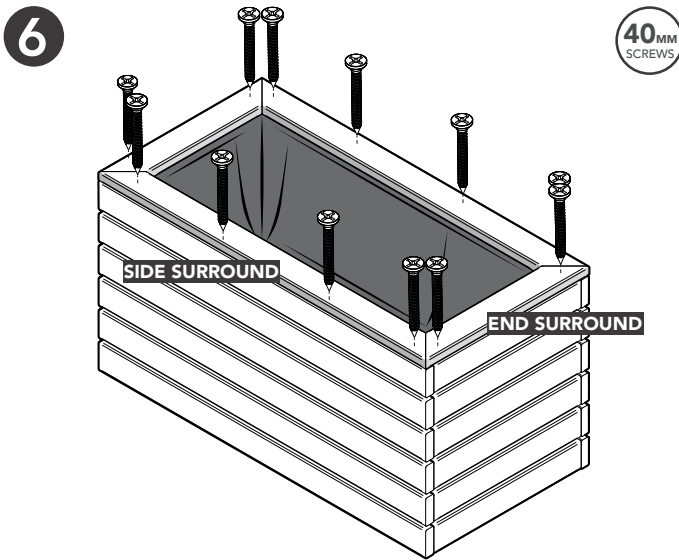
Position and secure the final Side Panel to the Base and End Panels. Ensure the Side Panel is flush to the End Panels and screw into the floor bearers beneath.



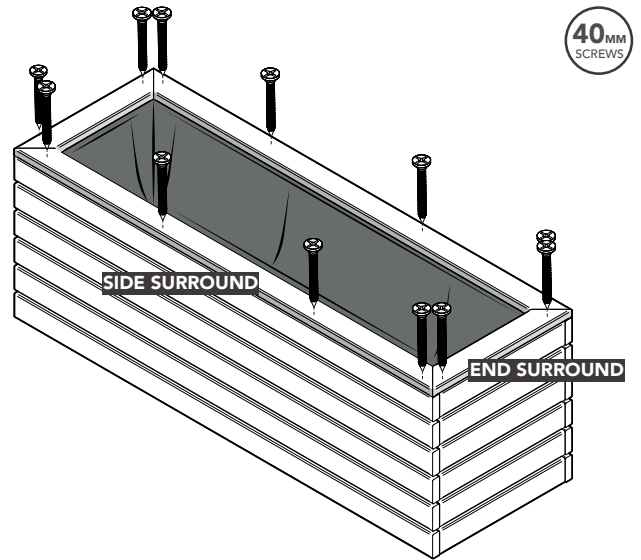
Lay out and position the Jute Liner material inside your planter. Overlap over the top edge and use the Surrounds to hold in place.



Lay out and position the Jute Liner material inside your planter. Overlap over the top edge and use the Surrounds to hold in place.



Position and secure the surrounds to the panels. Ensure the Jute Liner is held in position when screwing the surrounds in place and the surrounds are flush around the edge.



Position and secure the surrounds to the panels. Ensure the Jute Liner is held in position when screwing the surrounds in place and the surrounds are flush around the edge.

HEALTH & SAFETY

We strongly recommend that PPE (Personal Protective Equipment) is used throughout your build to ensure you are protected from any potential health and safety risks. **Do not exempt yourself from wearing PPE.**



CHECK YOU HAVE ALL YOUR PARTS PRIOR TO ASSEMBLY.

(The parts do not have codes on them. They are listed below should you need to order one.)

Timber is a natural material of which will shrink and swell as a result of varying moisture content.

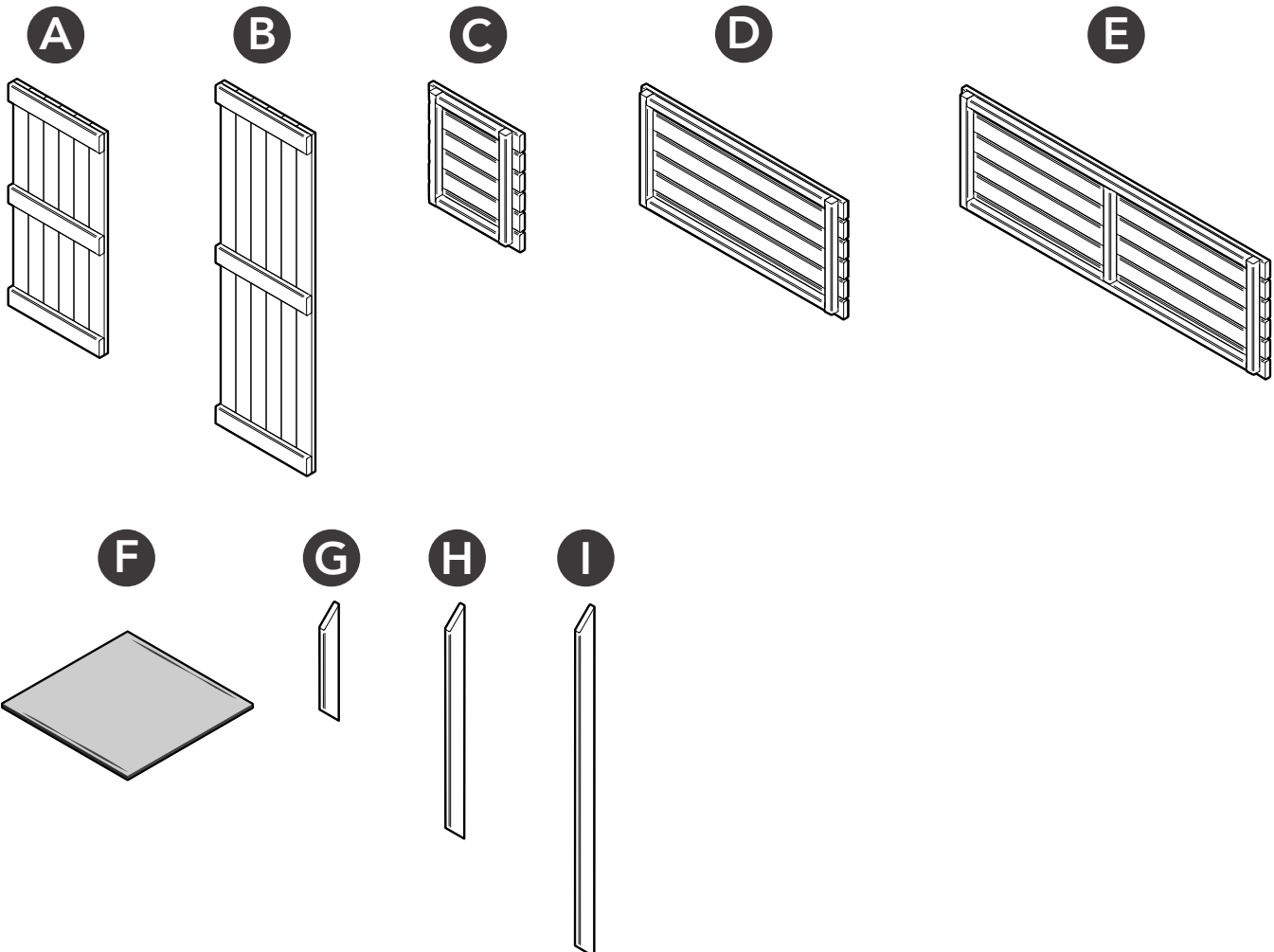
Assembly of damaged parts may be deemed to be acceptance and this may affect the remedies you are entitled to. If the product is not constructed in accordance with the instructions, or is altered in anyway (e.g. painted), the manufacturer cannot be held liable for any resulting damage.

The components provided may be heavy. Please lift with caution and with a minimum of 2 people.

Linear Planter 800mm (LINPL80)			
Label	Part Code	Description	No.
A	SLPLB760WW	Base 360x760mm	1
C	SPLP360	End Panel 360x400mm	2
D	SPLP800	Side Panel 400x800mm	2
F	JLINE448	Jute Liner	1
G	60200400PAII45PT	End Surround 60x20x400mm	2
H	60200800PAII45PT	Side Surround 60x20x800mm	2

Linear Planter 1200mm (LINPL120)			
Label	Part Code	Description	No.
B	SPLB1160WW	Base 360x1160mm	1
C	SPLP360	End Panel 360x400mm	2
E	SPLP1200	Side Panel 400x1200mm	2
F	JLINE4412	Jute Liner	1
G	60200400PAII45PT	End Surround 60x20x400mm	2
I	60201200PAII45PT	Side Surround 60x20x1200mm	2

Use the labelled components to help identify the part code and description.



TREATED TIMBER CONTAINING A BIOCIDAL PRODUCT CONTROL OF WOOD DESTROYING ORGANISMS



Active Ingredients - Propiconazole, Tebuconazole, IPBC, Permethrine, Benzyl-C12-16-Alkyldimethyl Chlorides. (Dip Treated)
Basic Copper Carbonate, DDA Carbonate, DDA Chloride. (Pressure Treated)

Wear gloves when handling. Avoid inhalation of sawdust. Do not use in contact with drinking water or food. Do not use for animal bedding or in fish ponds. Dispose of treated wood responsibly.