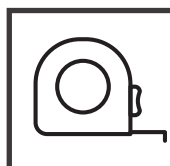


SMALL/LARGE PENT LOG STORE INSTRUCTIONS

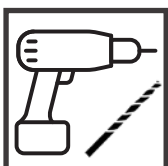
We recommend using the following tools (not supplied):



Tape Measure



Pozidrive
Screwdriver



Drill & 2-3mm
Drill Bits

FIXING PACK CONTAINS:

FIXING PACK CODE: LGSTPPF



5 x 60mm Screws
QTY: 14

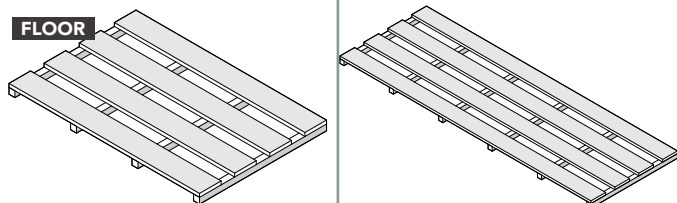


3.5 x 30mm Screws
QTY: 28

PLEASE KEEP PLASTIC BAGS AND SMALL PARTS AWAY FROM CHILDREN

CHECK AND TIGHTEN ALL THE FIXINGS APPLIED TO THIS PRODUCT ON A REGULAR BASIS.

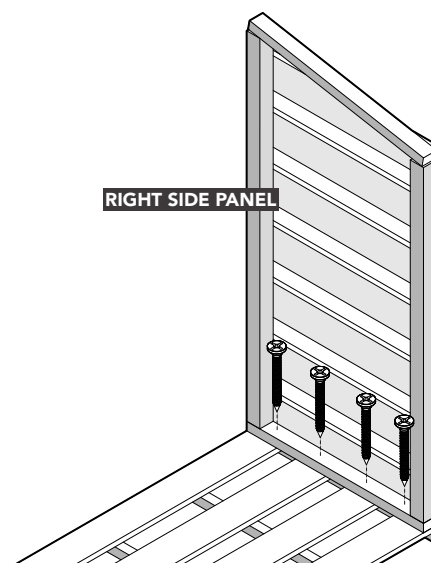
1



FLOOR

Position the Floor in your desired location. Your log store must be built on a solid and level base.

2



RIGHT SIDE PANEL

Position and secure the Right Side Panel to the floor bearers beneath.

60MM
SCREWS



IMPORTANT
Assembly requires 2+
adults.



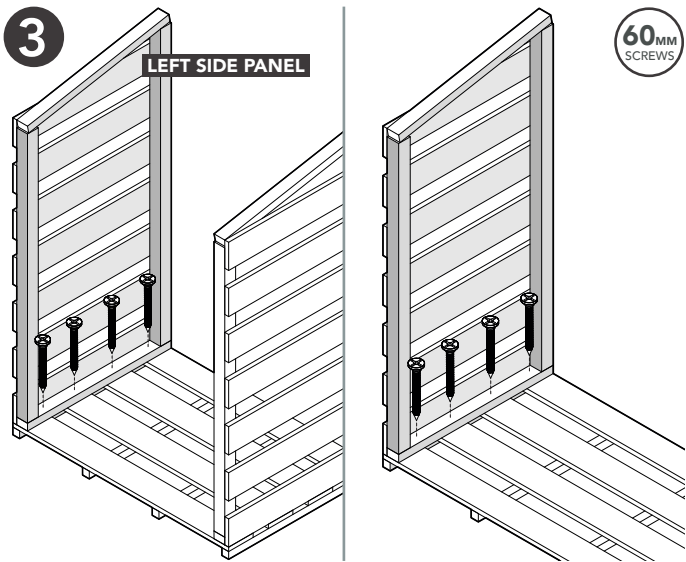
REMINDER
Always pre-drill before
screwing.

Missing something or need more information?

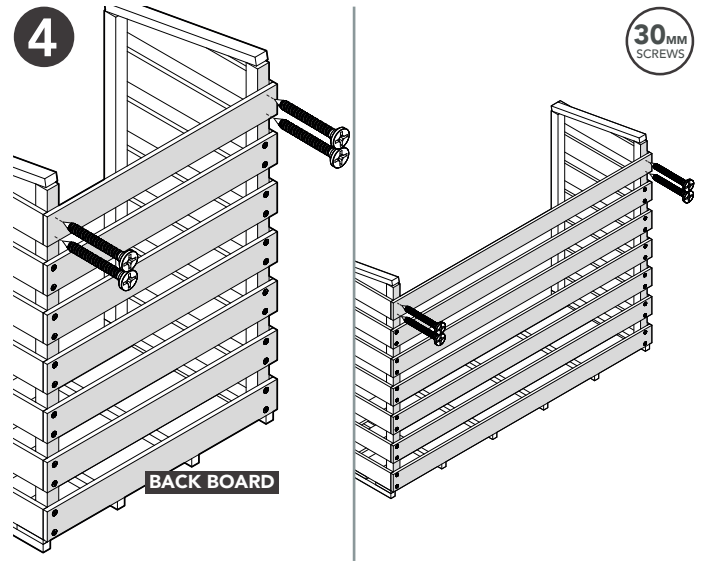
Call our aftersales team on
0333 321 3142

Visit our website for spare instructions and
more information

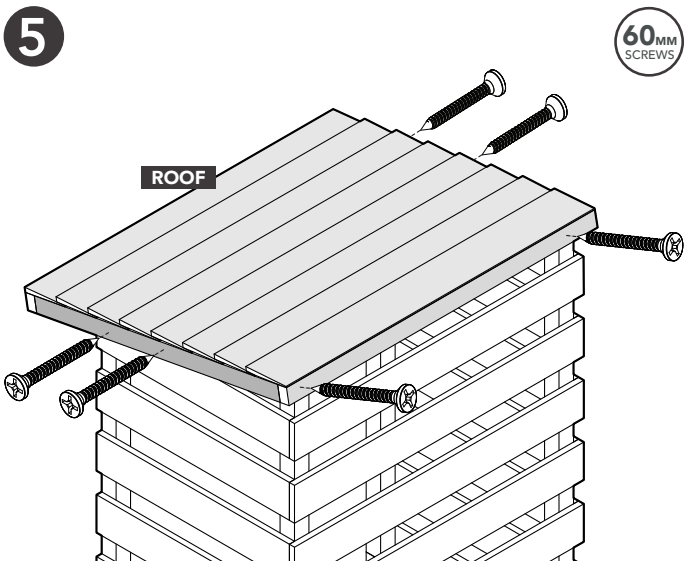
www.forestgarden.co.uk



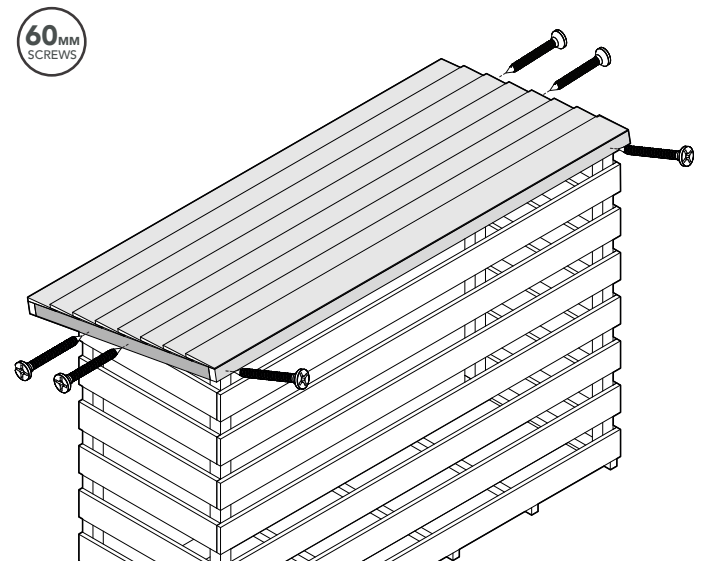
Position and secure the Left Side Panel to the floor bearers beneath.



Attach the Back Boards to the side panels, using 2 x 30mm screws each side. Ensure the Back Boards line up with the boards on the side panels.



Position and attach the Roof to the side panels as shown above. Ensure there is an overhang at the front when positioning the Roof.



HEALTH & SAFETY

THE ROOF OF THIS LOG STORE IS NOT A LOAD BEARING STRUCTURE

We strongly recommend that PPE (Personal Protective Equipment) is used throughout your build to ensure you are protected from any potential health and safety risks. **Do not exempt yourself from wearing PPE.**



CHECK YOU HAVE ALL YOUR PARTS PRIOR TO ASSEMBLY.

(The parts do not have codes on them. They are listed below should you need to order one.)

Timber is a natural material of which will shrink and swell as a result of varying moisture content.

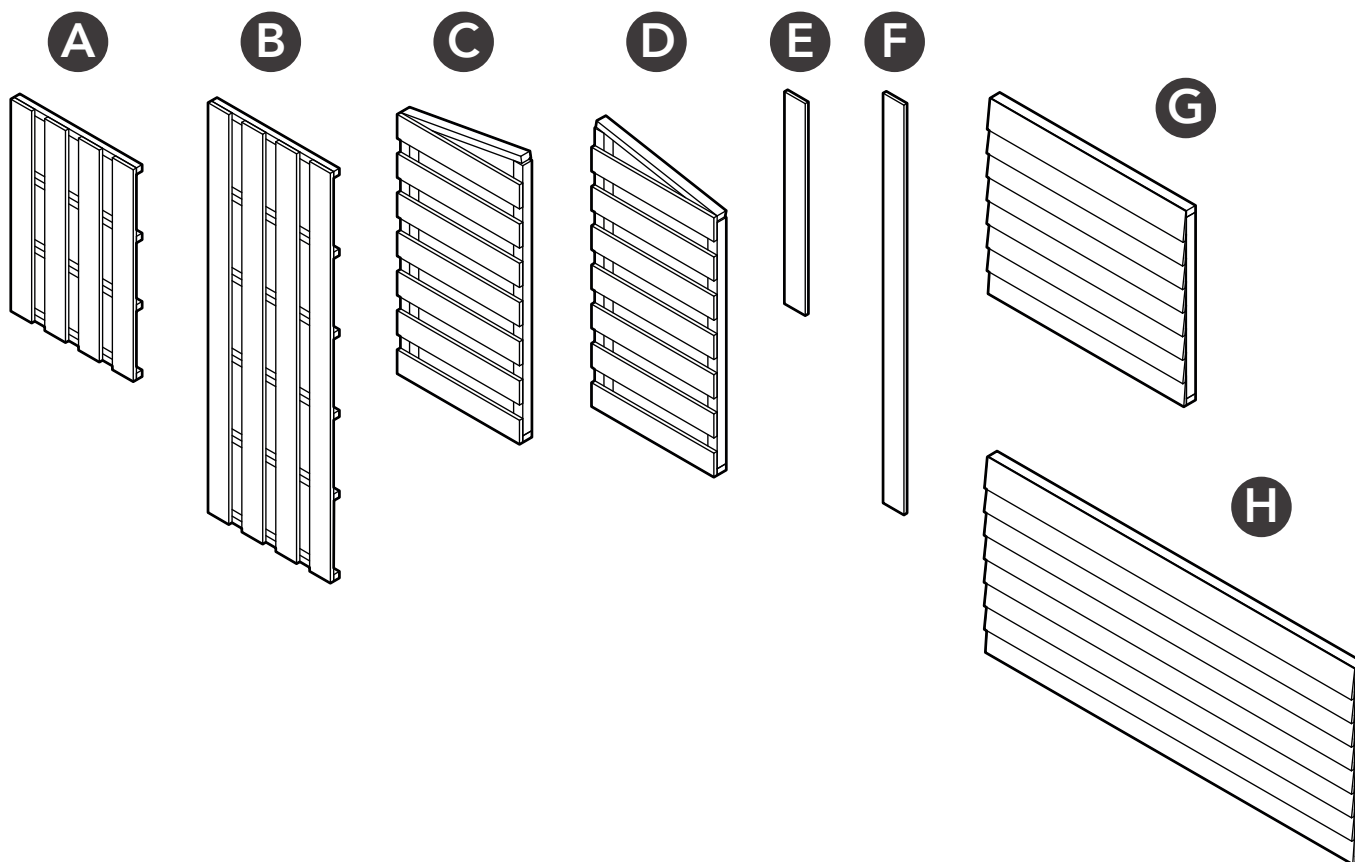
Assembly of damaged parts may be deemed to be acceptance and this may affect the remedies you are entitled to. If the product is not constructed in accordance with the instructions, or is altered in anyway (e.g. painted), the manufacturer cannot be held liable for any resulting damage.

The components provided may be heavy. Please lift with caution and with a minimum of 2 people.

Small Pent Log Store (LGSTP)			
Label	Part Code	Description	No.
A	LGSTPFLR	Floor 600x900mm	1
C	LGSTPRHS	Right Side Panel 600x1210mm	1
D	LGSTPLHS	Left Side Panel 600x1210mm	1
E	102160900PT	Back Boards 102x16x900mm	7
G	LGSTPRF	Roof 826x960mm	1

Large Pent Log Store (LLGSTP)			
Label	Part Code	Description	No.
B	LLGSTPFLR	Floor 600x1740mm	1
C	LGSTPRHS	Right Side Panel 600x1210mm	1
D	LGSTPLHS	Left Side Panel 600x1210mm	1
F	102161740PT	Back Boards 102x16x1740mm	7
H	LLGSTPRF	Roof 826x1800mm	1

Use the labelled components to help identify the part code and description.



TREATED TIMBER CONTAINING A BIOCIDAL PRODUCT CONTROL OF WOOD DESTROYING ORGANISMS

Active Ingredients - Propiconazole, Tebuconazole, IPBC, Permethrine, Benzyl-C12-16-Alkyldimethyl Chlorides. (Dip Treated)
Basic Copper Carbonate, DDA Carbonate, DDA Chloride. (Pressure Treated)

Wear gloves when handling. Avoid inhalation of sawdust. Do not use in contact with drinking water or food. Do not use for animal bedding or in fish ponds. Dispose of treated wood responsibly.