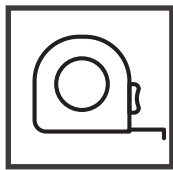


Making British gardens great

HANBURY DOMED TOP ARCH

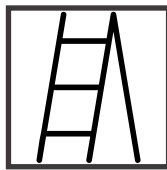
INSTRUCTIONS

We recommend using the following tools (not supplied):

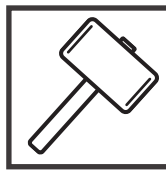


Tape Measure


 Pozidrive
Screwdriver

 Drill & 2-3mm
Drill Bits


Ladder



Rubber Mallet

FIXING PACK CONTAINS:

 FIXING PACK CODE: *HANDTAFP*

 4 x 80mm Screws
QTY: 5

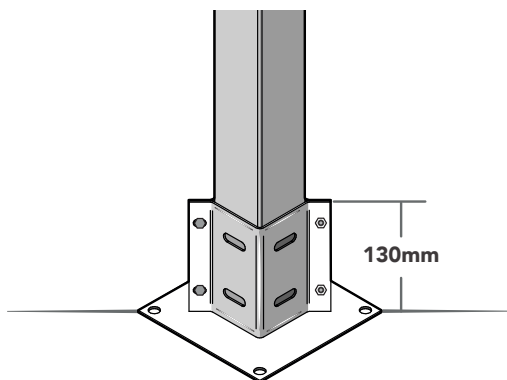
 4 x 60mm Screws
QTY: 4

PLEASE KEEP PLASTIC BAGS AND SMALL PARTS AWAY FROM CHILDREN

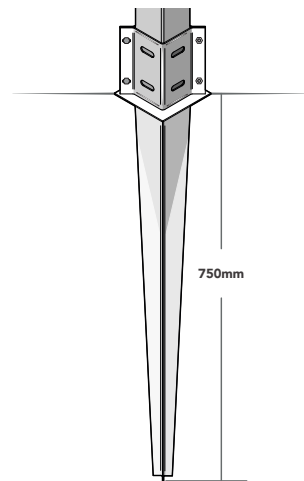
CHECK AND TIGHTEN ALL THE FIXINGS APPLIED TO THIS PRODUCT ON A REGULAR BASIS.

PREPARATION

We strongly advise that you anchor your arch down with either fixtures shown below to enhance stability. You will need to purchase these separately. Apply each fixture to each leg before fully constructing your arch. 130mm of your post will be supported within the fixture.



FOR PATIO/DECKING (HARD SURFACES)
Easy-Fit Fencebase - 65mm
(FBEF65)



FOR GRASS/SOIL
(SOFT SURFACES)
Easy-Fit Fencefast
(FEF6575)

Ensure that the spike can be inserted into the ground by 750mm.



IMPORTANT
Assembly requires 2+ adults.



REMINDER
Always pre-drill before screwing.

It's vital that you build your new arch on a level ground in your desired location.

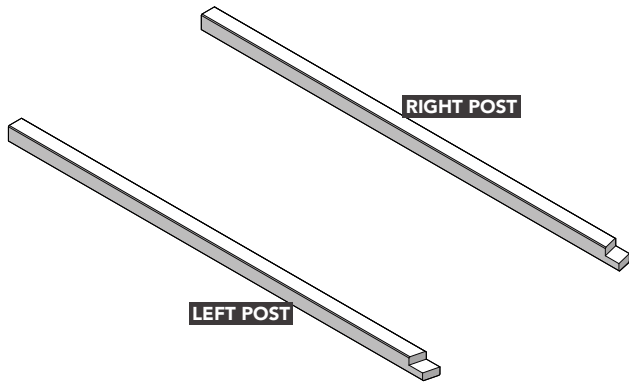
Missing something or need more information?

Call our aftersales team on
0333 321 3142

Visit our website for spare instructions and more information

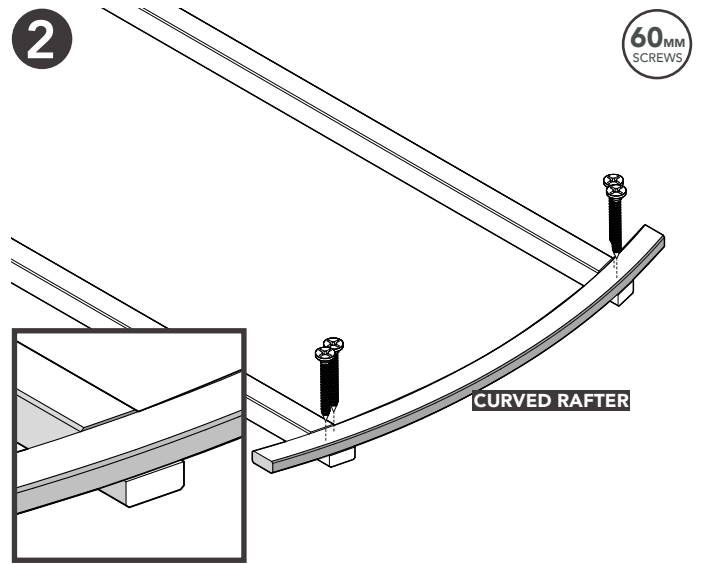
www.forestgarden.co.uk

1



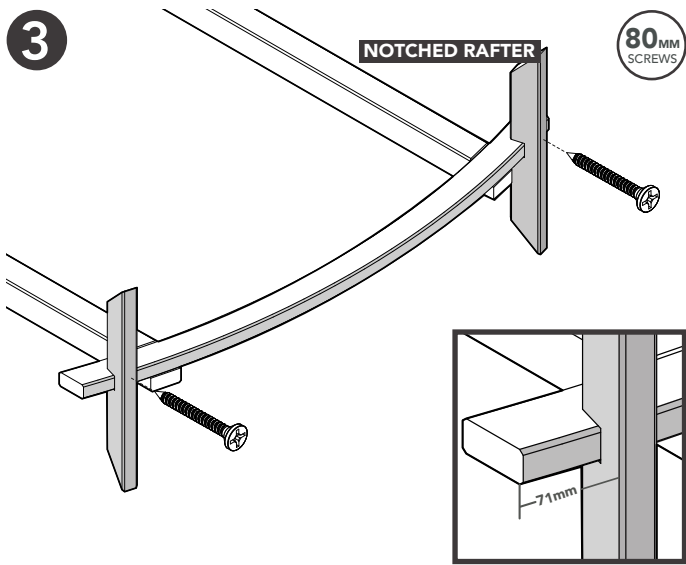
Lay out your Left and Right Posts on the floor.

2



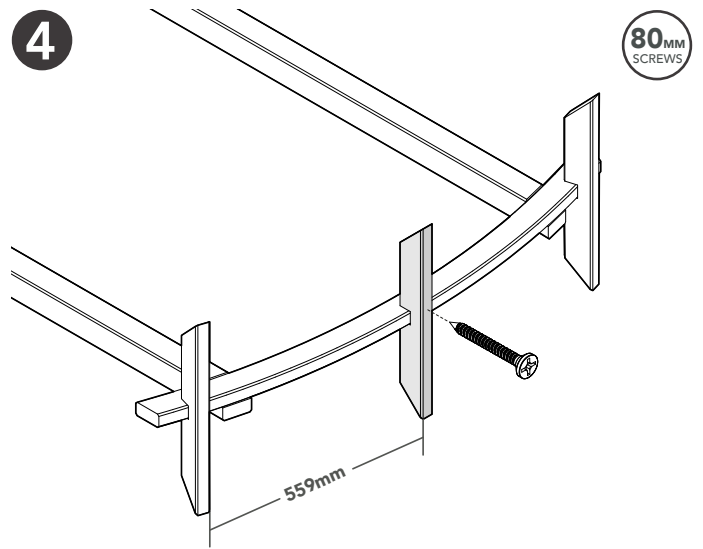
Position and secure the Curved Rafter to the Posts. Ensure the curve on the top is flush to the curve on the Posts when positioning as shown above.

3



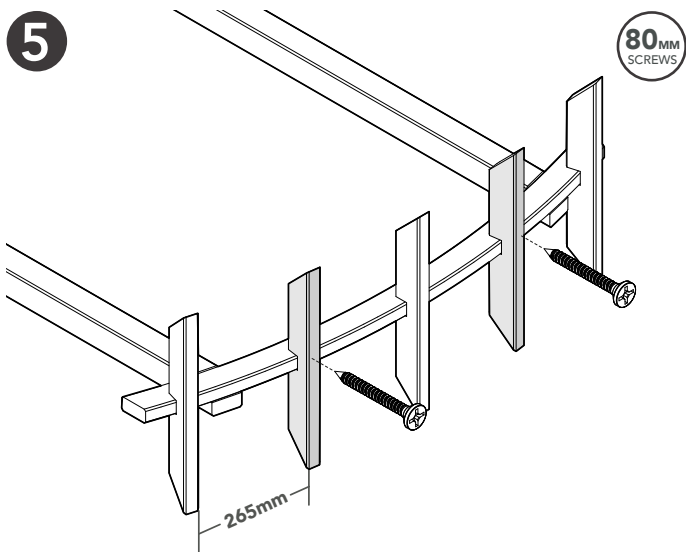
Using the measurement provided, position and secure 2 x Notched Rafters to the Curved Rafter, with 1 x 80mm screws per rafter.

4



Position and secure 1 x Notched Rafter in the centre of the curve, using the measurement provided.

5



Position and secure the remaining Notched Rafters, using the measurements provided.

CHECK YOU HAVE ALL YOUR PARTS PRIOR TO ASSEMBLY.

(The parts do not have codes on them. They are listed below should you need to order one.)

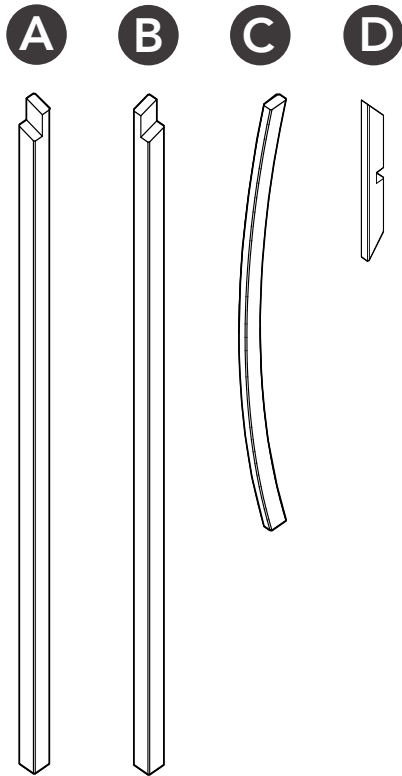
Timber is a natural material of which will shrink and swell as a result of varying moisture content.

Assembly of damaged parts may be deemed to be acceptance and this may affect the remedies you are entitled to. If the product is not constructed in accordance with the instructions, or is altered in anyway (e.g. painted), the manufacturer cannot be held liable for any resulting damage.

The components provided may be heavy. Please lift with caution and with a minimum of 2 people.

Hanbury Domed Top Arch (HANDTA)			
Label	Part Code	Description	No.
A	70702100AI76LHPPT	Left Post 70x70x2100mm	1
B	70702100AI76RHPPT	Right Post 70x70x2100mm	1
C	CR70351340PPT	Curved Rafter 70x35x1340mm	1
D	70350500AI45PPT	Notched Rafter 70x35x500mm	5

Use the labelled components to help identify the part code and description.



HEALTH & SAFETY

THE ROOF OF THIS ARCH IS NOT A LOAD BEARING STRUCTURE

We strongly recommend that PPE (Personal Protective Equipment) is used throughout your build to ensure you are protected from any potential health and safety risks. **Do not exempt yourself from wearing PPE.**



TREATED TIMBER CONTAINING A BIOCIDAL PRODUCT CONTROL OF WOOD DESTROYING ORGANISMS

Active Ingredients - Propiconazole, Tebuconazole, IPBC, Permethrine, Benzyl-C12-16-Alkyldimethyl Chlorides. (Dip Treated)
Basic Copper Carbonate, DDA Carbonate, DDA Chloride. (Pressure Treated)

Wear gloves when handling. Avoid inhalation of sawdust. Do not use in contact with drinking water or food. Do not use for animal bedding or in fish ponds. Dispose of treated wood responsibly.