

IMPORTANT, RETAIN FOR FUTURE REFERENCE: READ CAREFULLY.

Check all parts are present prior to assembly.

- Always pre-drill timber to avoid splitting.
- The timber in this product is pressure treated to ensure longevity and protection against rot. This may leave a colour variations, but these will even out as the moisture content stabilises.
- Timber is a natural material and will shrink and swell as a result of varying moisture content.
- Place on solid level ground.
- Keep all plastic bags and parts away from children.

Technical Help line: 0333 7777 089 8:30am - 5.00pm Monday to Friday

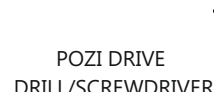
In line with your statutory rights, please check all parts prior to assembly, as assembly of damaged parts may be deemed to be acceptance and this may affect the remedies you are entitled to. If the product is not constructed in accordance with the instructions, or is altered in anyway (e.g. painted), the manufacturer cannot be held liable for any resulting damage.

This article contains biocidal products to give protection against wood destroying insects & wood rotting fungi. Contents may vary. May contain : Basic copper carbonate (Copper (II) carbonate – Copper (II) hydroxide (1:1), Cupric oxide, Copper hydroxide carbonate, oxyethyl, ammoniumpropionate, Copper HDO, Propiconazole, Tebuconazole, Boric acid, Benzalkonium chloride. Wear gloves when handling freshly treated wood. Avoid breathing dust when cutting treated or untreated wood. Dispose of off-cuts responsibly – do not burn.

REQUIRED TOOLS: (NOT SUPPLIED)



HAMMER



POZI DRIVE
DRILL/SCREWDRIVER



TAPE MEASURE

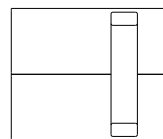
PARTS:

A



SB35120TOP (TOP) QTY 1

B



SB35LEG (LEGS) QTY 2

C



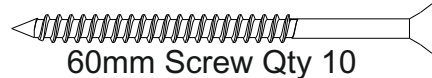
70350938PPT (BRACE) QTY 1

(FIXING PACK) DSBENFP

NOT TO SCALE



100mm Screw Qty 8

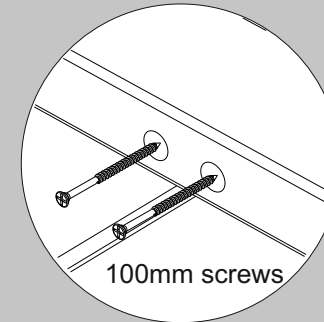
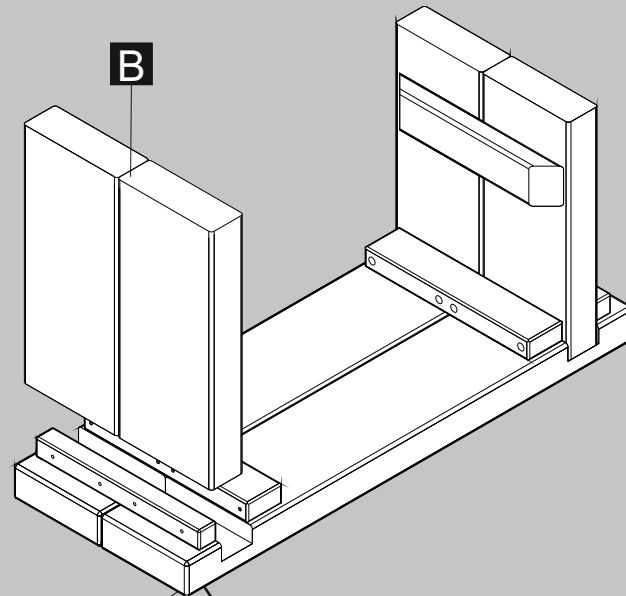


60mm Screw Qty 10

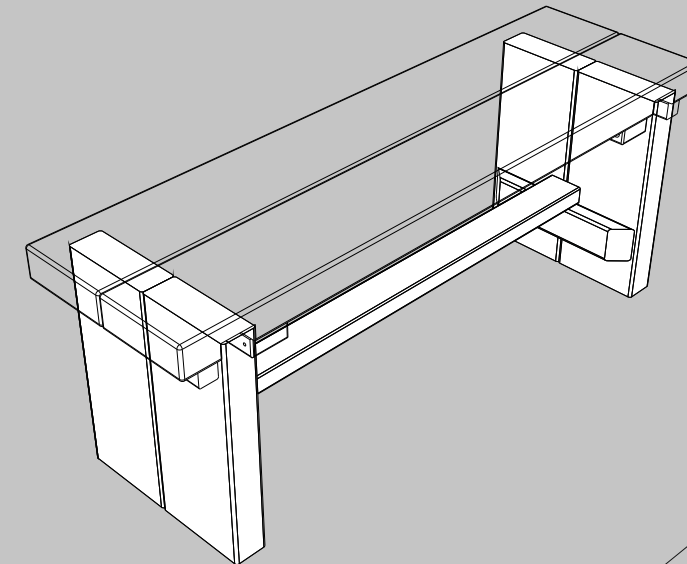
For further information



www.forestgarden.co.uk



100mm screws



60mm screws

C



Assembly of this product requires a minimum of two adults only

DSBEN12

Slot the legs into position making sure they are tight and flush before securing them in position using 4 x 100mm and 4 x 60mm screws for each.

Turn the bench over and fix the brace so that it bridges the two leg sections together. Fix the brace in place using a 60mm screw for each end.