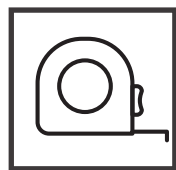


CORNER SLEEPER BENCH

INSTRUCTIONS (1200x1200mm)

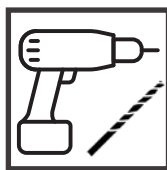
We recommend using the following tools (not supplied):



Tape Measure



Pozidrive
Screwdriver

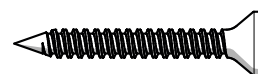


Drill & 2mm
Drill Bit



Rubber Mallet

FIXING PACK CONTAINS:



4 x 60mm Screws
QTY: 24

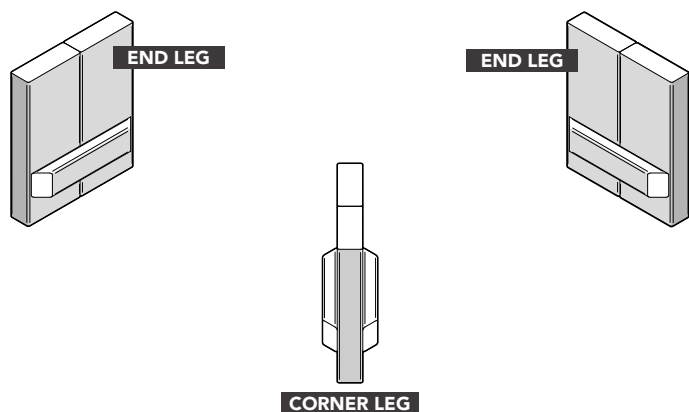


6 x 100mm Screws
QTY: 8

PLEASE KEEP PLASTIC BAGS AND SMALL PARTS AWAY FROM CHILDREN

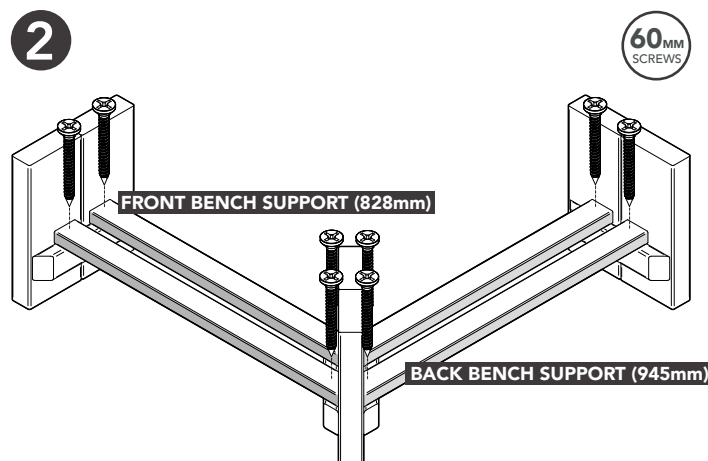
FIXING PACK CODE: CORNBEN12FP

1



Position the legs as shown above. Ensure there is a End Leg at each side, with the battens attached facing inwards. Place the Corner Leg in the middle. Ensure the battens attached to the legs are positioned lowest to the ground as shown above.

2



Position and secure the Front Bench Supports (828mm) and Back Bench Supports (945mm) to the End Legs and Corner Leg Battens.



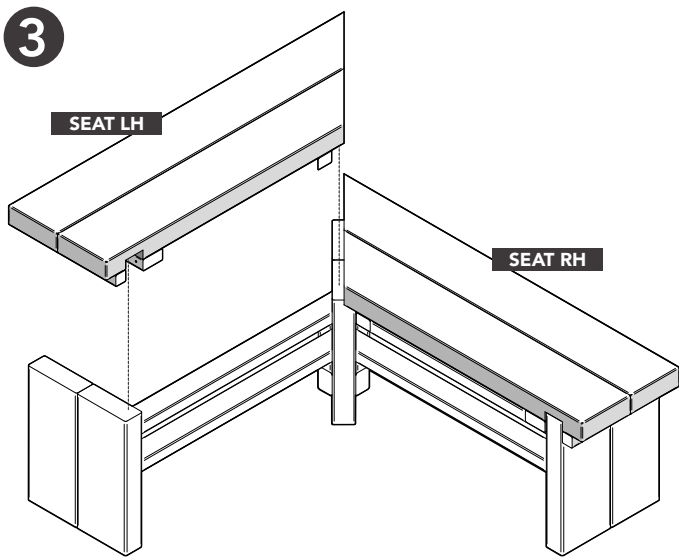
IMPORTANT
Assembly requires 2+
adults.



REMINDER
Always pre-drill before
screwing.

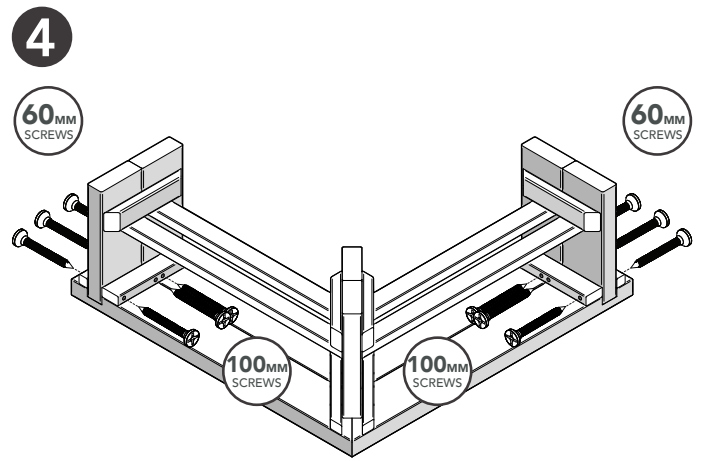
Missing something or need more information?
Call our aftersales team on
0333 321 3142

Visit our website for spare instructions and
more information
www.forestgarden.co.uk



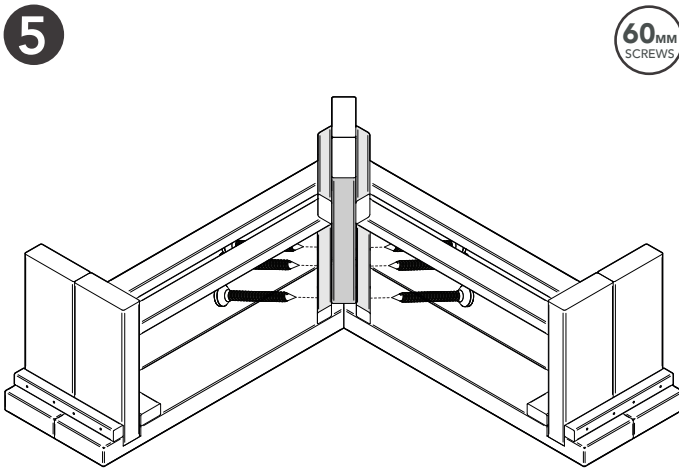
3

Place the Seats on top of the legs. Ensure the End Legs slit into the notches provided. The Seats will rest on top of the Corner Leg.



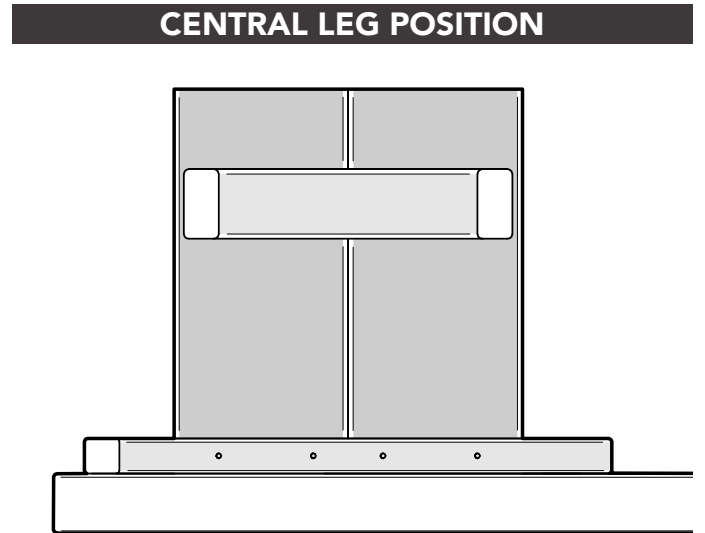
4

Ensure the End Legs are flush to the Seats. Fix the End Legs into place using 4 x 60mm screws on the outside and 4 x 100mm screws on the inside per End Leg.



5

Position the Corner Leg as shown in the Central Leg Position. Fix into place, into the pre-drilled holes provided using 4 x 60mm screws each side.



CENTRAL LEG POSITION

Position the Corner Leg as shown above. Ensure the Central Leg is centralised between pre-drilled holes on the batten, before securing into place.

CHECK & TIGHTEN ALL FIXINGS APPLIED TO THE PRODUCT ON A REGULAR BASIS

HEALTH & SAFETY

We strongly recommend that PPE (Personal Protective Equipment) is used throughout your build to ensure you are protected from any potential health and safety risks. **Do not exempt yourself from wearing PPE.**



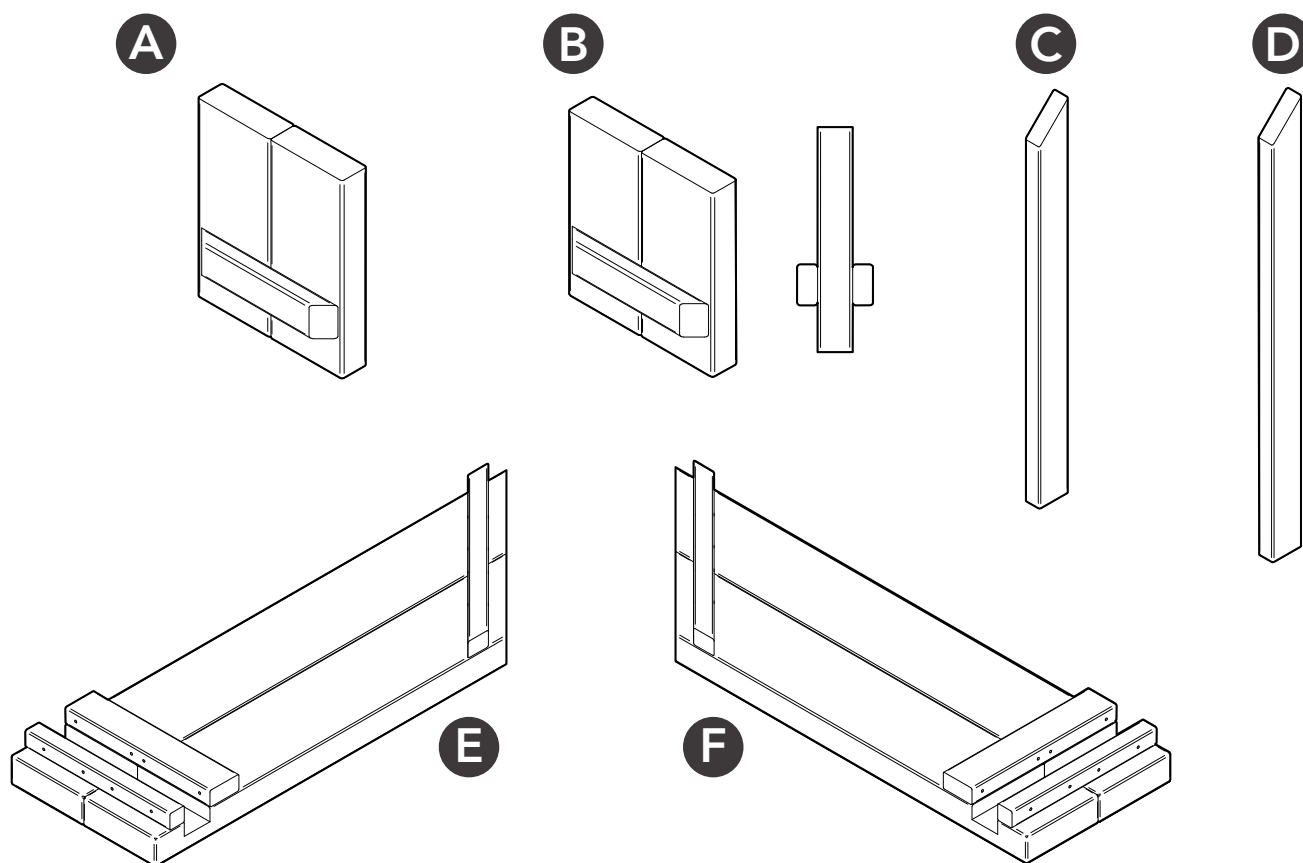
CHECK YOU HAVE ALL YOUR PARTS.

(The parts do not have codes on them. They are listed below should you need to order one.)

The components provided may be heavy. Please lift with caution and with a minimum of 2 people.

Corner Double Sleeper Bench 1200x1200mm (CORNBEN12)			
Label	Part Code	Description	No.
A	SB35LEG	End Leg 415x350x95mm	2
B	SB35CRLEG	Corner Leg 385x350x130mm	1
C	70350828AI45PPT	Front Bench Support 828x70x35mm	2
D	70350945AI45PPT	Back Bench Support 945x70x35mm	2
E	SB35120AI45TOPRH	Seat RH 1200x350x95mm	1
F	SB35120AI45TOPLH	Seat LH 1200x350x95mm	1

Use the labelled components to help identify the part code and description.



TREATED TIMBER CONTAINING A BIOCIDAL PRODUCT CONTROL OF WOOD DESTROYING ORGANISMS

Active Ingredients - Propiconazole, Tebuconazole, IPBC, Permethrine, Benzyl-C12-16-Alkyldimethyl Chlorides. (Dip Treated)
Basic Copper Carbonate, DDA Carbonate, DDA Chloride. (Pressure Treated)

Wear gloves when handling. Avoid inhalation of sawdust. Do not use in contact with drinking water or food. Do not use for animal bedding or in fish ponds. Dispose of treated wood responsibly.