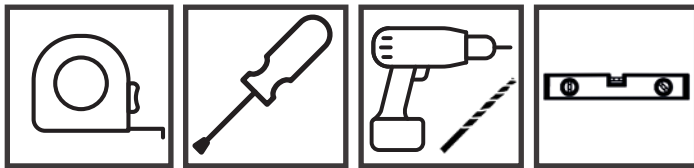


# CALEDONIAN BASE'S INSTRUCTIONS

We recommend using the following tools (not supplied):



Tape Measure

Pozidrive  
Screwdriver

Drill & 2-3mm  
Drill Bits

Spirit Level

**FIXING PACK CONTAINS:**  
FIXING PACK CODE: CALBASEFP

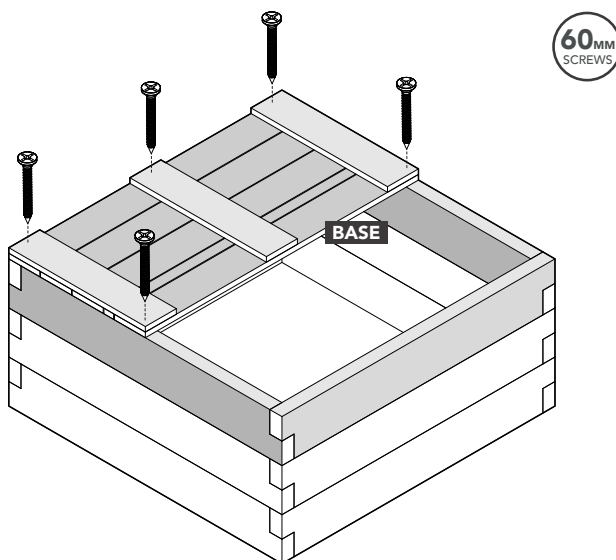


5x60mm Screws  
QTY: 12

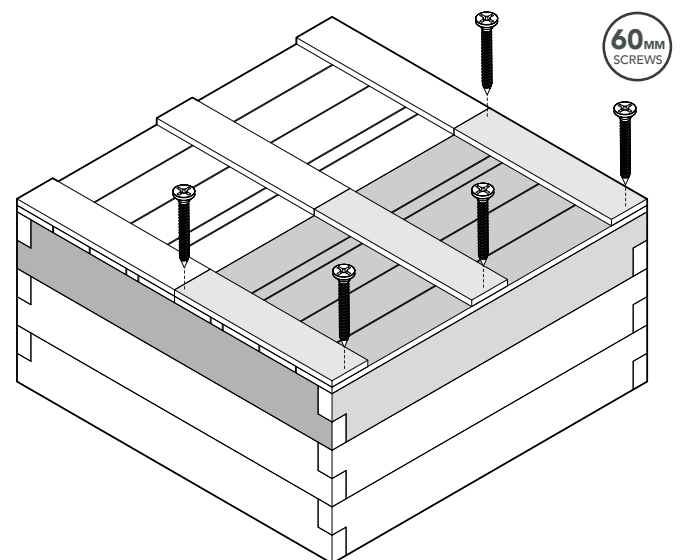
PLEASE KEEP PLASTIC BAGS AND SMALL PARTS AWAY FROM CHILDREN

CHECK AND TIGHTEN ALL THE FIXINGS APPLIED TO THIS PRODUCT ON A REGULAR BASIS.

## CAL9090 & CALTRB9090 STEPS



Position and secure one Base to the edge of your Caledonian. We recommend attaching your Base's to the first tier before fully assembling your Caledonian.



Position and secure the other Base to the edge of your Caledonian. Ensure both Base's are flush to the edge.



**IMPORTANT**  
Assembly requires 2+ adults.

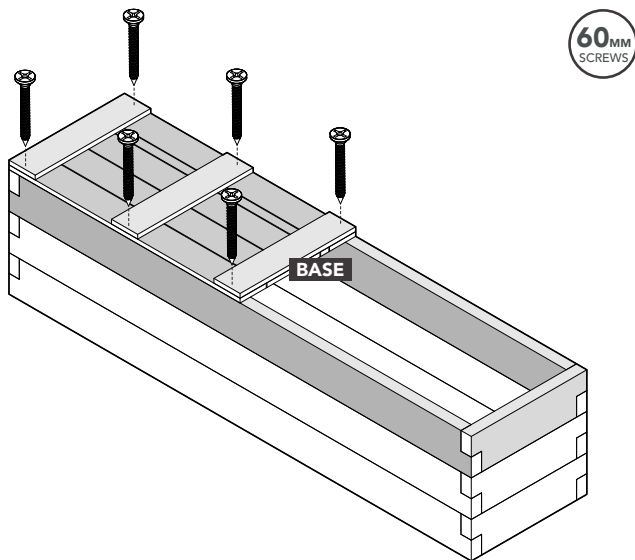


**REMINDER**  
Always pre-drill before screwing.

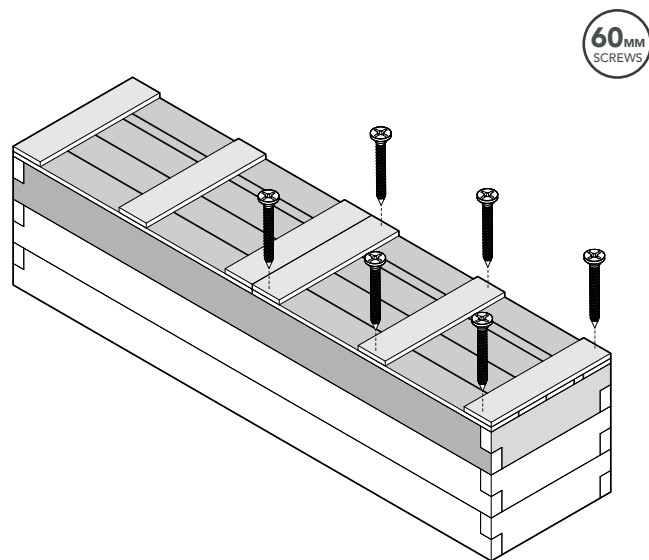
**Missing something or need more information?**  
Call our aftersales team on  
0333 321 3142

**Visit our website for spare instructions and more information**  
[www.forestgarden.co.uk](http://www.forestgarden.co.uk)

## CAL4501800 STEPS

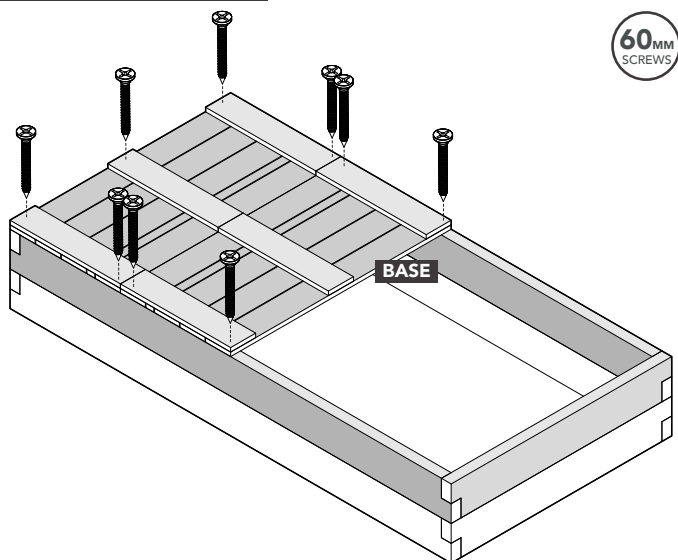


Position and secure one Base to the edge of your Caledonian. We recommend attaching your Base's to the first tier before fully assembling your Caledonian.

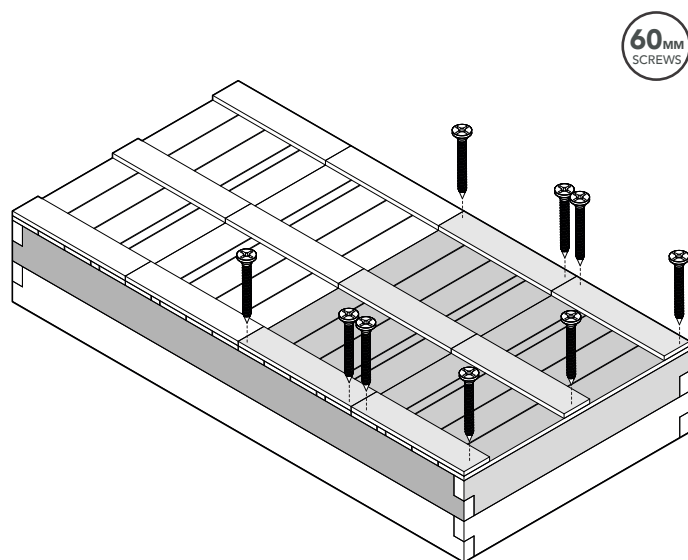


Position and secure the other Base to the edge of your Caledonian. Ensure both Base's are flush to the edge.

## CAL18090 STEPS

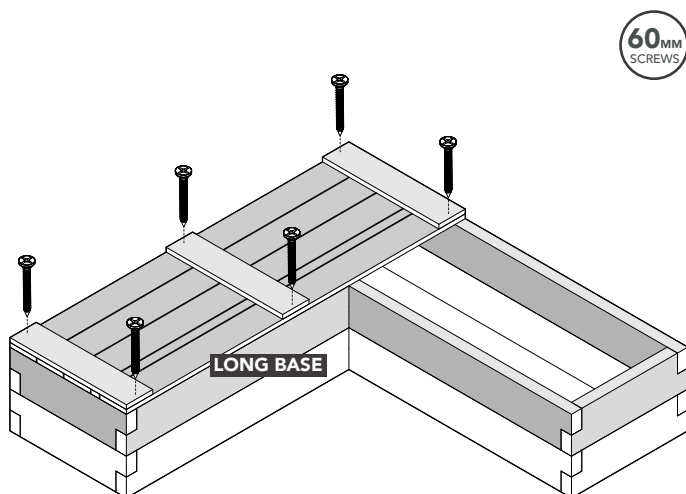


Position and secure two Base's to the edge of your Caledonian. We recommend attaching your Base's to the first tier before fully assembling your Caledonian.

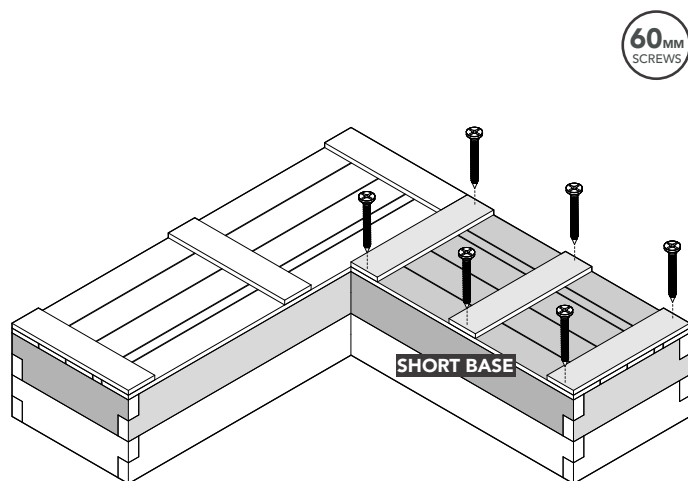


Position and secure the other Base to the edge of your Caledonian. Ensure both Base's are flush to the edge.

## CAL130130 STEPS



Position and secure the Long Base to the edge of your Caledonian. We recommend attaching your Base's to the first tier before fully assembling your Caledonian.



Position and secure the Short Base to the edge of your Caledonian. Ensure both Base's are flush to the edge.

## CHECK YOU HAVE ALL YOUR PARTS PRIOR TO ASSEMBLY.

(The parts do not have codes on them. They are listed below should you need to order one.)

Timber is a natural material of which will shrink and swell as a result of varying moisture content.

Assembly of damaged parts may be deemed to be acceptance and this may affect the remedies you are entitled to. If the product is not constructed in accordance with the instructions, or is altered in anyway (e.g. painted), the manufacturer cannot be held liable for any resulting damage.

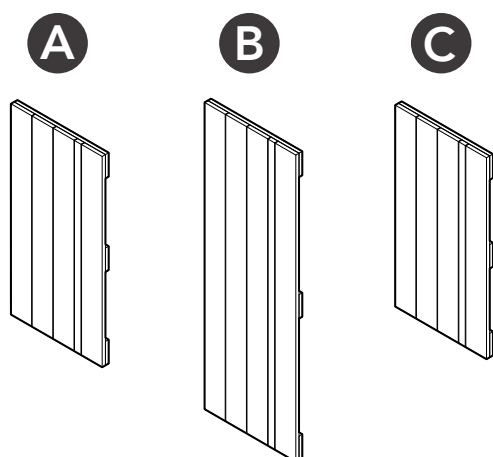
The components provided may be heavy. Please lift with caution and with a minimum of 2 people.

Caledonian Base's (CALBASEPK2)			
Label	Part Code	Description	No.
A	CALBASE	Base 450x32x900mm	2

Each pack contains 2 x Base's. The amount of pack's provided will vary based on the size of your Caledonian raised bed.

Corner Caledonian Base's (CAL130130BASE)			
Label	Part Code	Description	No.
B	CALBASE1310	Long Base 450x32x1310mm	1
C	CALBASE860	Short Base 450x32x860mm	1

Use the labelled components to help identify the part code and description.



## HEALTH & SAFETY

We strongly recommend that PPE (Personal Protective Equipment) is used throughout your build to ensure you are protected from any potential health and safety risks. **Do not exempt yourself from wearing PPE.**



### TREATED TIMBER CONTAINING A BIOCIDAL PRODUCT CONTROL OF WOOD DESTROYING ORGANISMS

**Active Ingredients** - Propiconazole, Tebuconazole, IPBC, Permethrine, Benzyl-C12-16-Alkyldimethyl Chlorides. (Dip Treated)  
Basic Copper Carbonate, DDA Carbonate, DDA Chloride. (Pressure Treated)

Wear gloves when handling. Avoid inhalation of sawdust. Do not use in contact with drinking water or food. Do not use for animal bedding or in fish ponds. Dispose of treated wood responsibly.

