

Bed Builder 200 x 100cm

ISSUE 0314

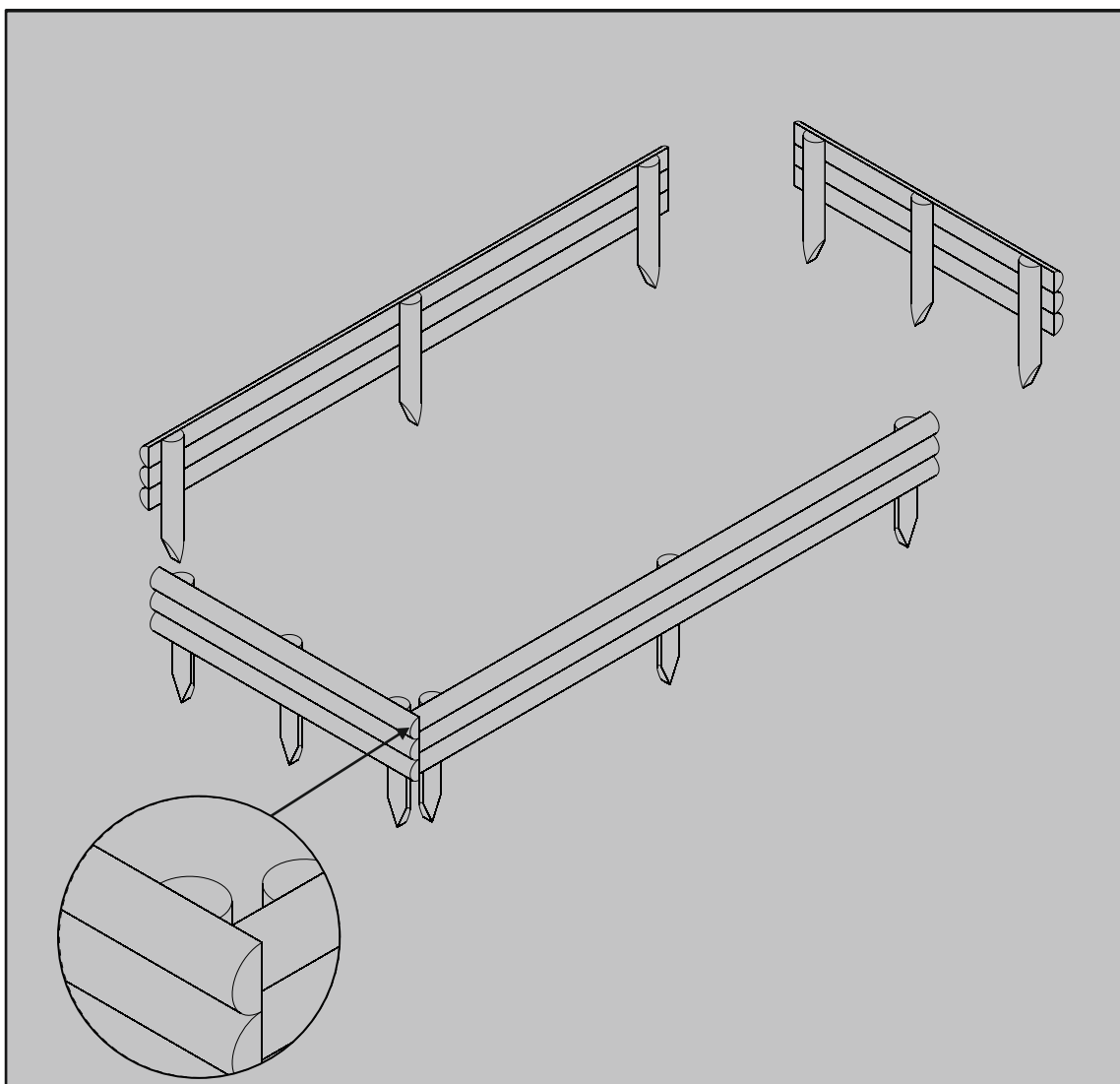
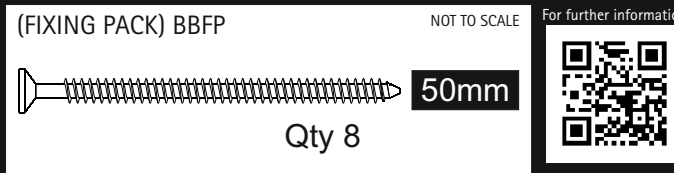
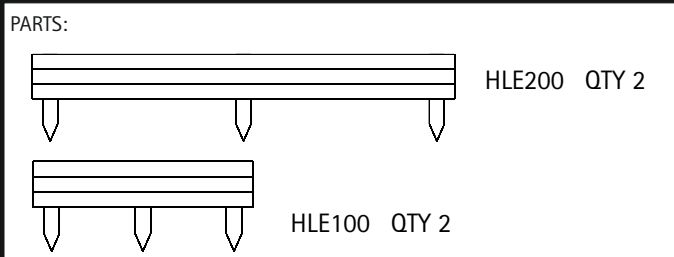
IMPORTANT, RETAIN FOR FUTURE REFERENCE: READ CAREFULLY.

Check all parts are present prior to assembly.

- Always pre-drill timber to avoid splitting.
- The timber in this product is pressure treated to ensure longevity and protection against rot. This may leave a colour variations, but these will even out as the moisture content stabilises.
- Timber is a natural material and will shrink and swell as a result of varying moisture content.
- Keep all plastic bags and parts away from children.

Technical Help line: 0333 7777 089
8:30am - 5.00pm Monday to Friday

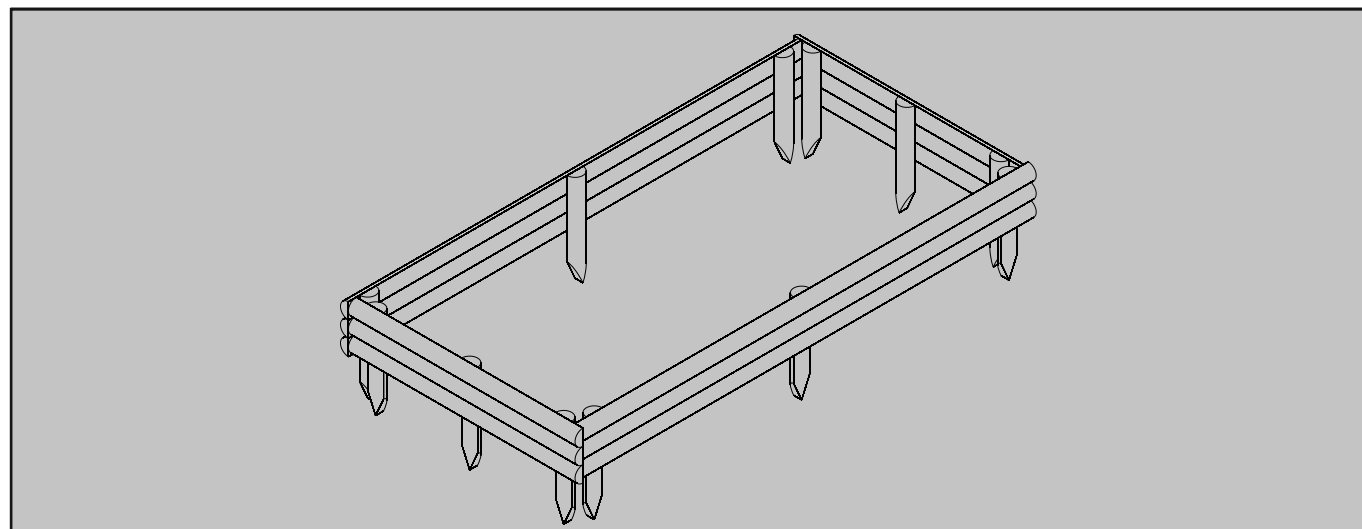
In line with your statutory rights, please check all parts prior to assembly, as assembly of damaged parts may be deemed to be acceptance and this may affect the remedies you are entitled to. If the product is not constructed in accordance with the instructions, or is altered in anyway (e.g. painted), the manufacturer cannot be held liable for any resulting damage.



This article contains biocidal products to give protection against wood destroying insects & wood rotting fungi. Contents may vary.
May contain: Basic copper carbonate (Copper (II) carbonate - Copper (II) hydroxide (1:1), Cupric oxide, Copper hydroxide carbonate, oxoethyl, ammoniumpropionate, Copper HDO, Propiconazole, Tebuconazole, Boric acid, Benzalkonium chloride.
Wear gloves when handling freshly treated wood. Avoid breathing dust when cutting treated or untreated wood. Dispose of off-cuts responsibly - do not burn.

Place the log sections together as shown. Secure these in place using 2x50mm screws
Position these in the top and the bottom logs.

Make sure that you are screwing into the ends of the other section.



ATTENTION:

Take care not to trap fingers whilst assembling the product