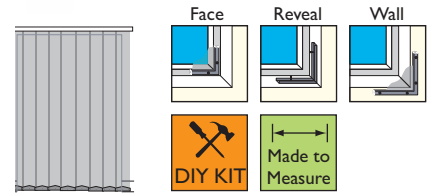




# Insect Panel Door Curtain Domestic



## Features

- Consists of a series of weighted mesh panels hung from a track above the door. Plastic weights clip on to each mesh panel.
- Fits inside or outside. If your door opens out the screen will be fitted on the inside and vice versa.
- Grey insect mesh only.
- Available in a variety of options to suit your circumstances; Made-to-measure (supplied ready for you to fit) or DIY Kit (for you to make and fit), reveal or face fit options, screw or adhesive fixing options.

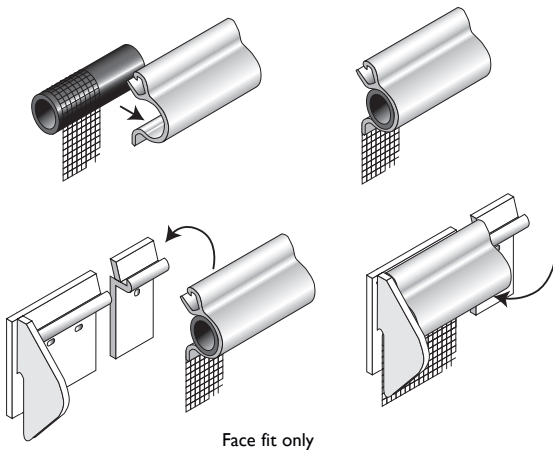
## Benefits

- Simple cost effective way of screening doorways.
- Panels are easily parted to provide access through the doorway.
- Panels weighted at the bottom to reduce movement in the wind.
- Easily removed for cleaning or storage.

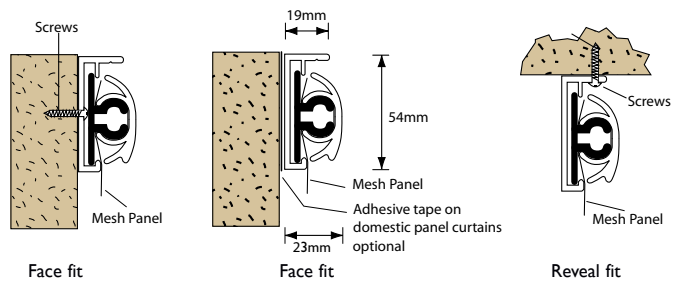


|                            |   | Max Width mm          | Max Height mm |                    |                      |                  |                             |
|----------------------------|---|-----------------------|---------------|--------------------|----------------------|------------------|-----------------------------|
| <b>For use in the home</b> | Standard DIY Kit<br>2 part PVC track        | 950                   | 2200          | Face Fit only      | White track only     | Grey mesh panels | Screw fix and adhesive pads |
|                            | Premium DIY Kit<br>3 part PVC track         | 950, 1200, 1500, 1800 | 2200          | Face or Reveal Fit | White or Brown track | Grey mesh panels | Screw fix or Tape fixing    |
|                            | Premium Made-to-measure<br>3 part PVC track | Up to 2000            | 2400          | Face or Reveal Fit | White or Brown track | Grey mesh panels | Screw fix or Tape fixing    |

**Standard Curtain DIY Kit**  
950mm x 2200mm 2 part PVC Track



**Premium Made to Measure Curtain and other kit sizes**  
3 part PVC Track



## Measuring

Measure the width of the aperture plus any bevelled edges on the frame. Add at least 25mm of flat surface on each side to allow for an overlap with the doorway. If fitting to the wall outside the reveal, allow a wider overlap; 50mm or more on each side is suitable.

Measure the height of the aperture, add 54mm for the track and deduct 10mm for clearance.

Made-to-measure - we will make to the exact size you tell us.

DIY Kit - order the next larger size kit.

Width: Aperture (and bevelled edges) + 50mm or more of flat surface = \_\_\_\_ mm

Height: Aperture + 54mm - 10mm = \_\_\_\_ mm



Domestic panel button and weight



3 part PVC Track