

PLUNGE BENCH 18" WIDE E3 (01)
Assembly Instructions

COMPONENTS

Components	Bench Length					
	1'8"	3'4"	5'0"	6'8"	8'4"	10'0"
L Section 30" Long-Corner Leg	4	4	4	4	4	4
T Section 30" Long-Mid Leg	--	2	4	6	8	10
Tray 18" x 20"	2	4	6	8	10	12
End Panel 18" x 6"	2	2	2	2	2	2
Side Panel 20" x 6"	2	4	6	8	10	12
Tray Edge Cover Strip 16"	--	1	2	3	4	5
Nuts & Bolts	40	68	96	124	152	180
Foot Plates 2" Square	4	6	8	10	12	14

PLEASE NOTE:

All nuts & bolts should be fastened fingertight only - when the unit is complete (before adding the tray edge cover strip) tighten them all up

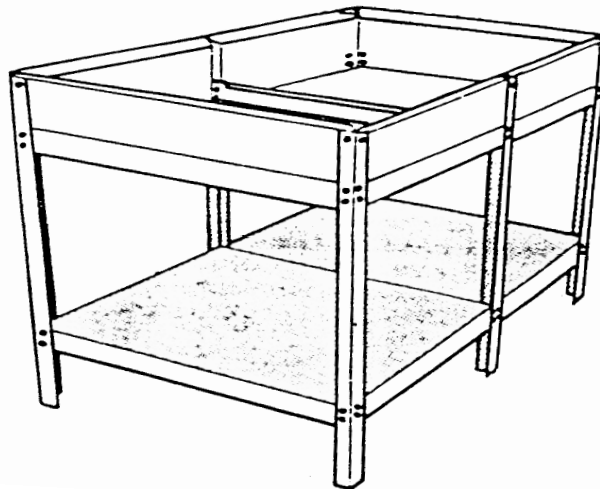
1. Please check the components
2. Bolt (finger tight) the lower trays (either way up) to the legs.

PLEASE NOTE :

The lower level is set at 8" from the ground, so select the correct pairs of holes.

The bench is 18" wide so bolt the corner legs onto the 18" side of the tray.

3. Then bolt on the top trays (as trays) together with the end and side panels.
4. The tray edge cover strip slips over the edges of two abutting trays, at the top level.
5. Square up and tighten all the bolts



3'4" Long x 18" Wide Model

Long Term Care of Aluminium Benches & Shelves.

Prolonged contact with chemicals containing metal compounds can cause aluminium to corrode (an electrolytic reaction occurs). Typical of these are Cheshunt Compound and Bordeaux mixture both of which contain copper. All chemicals should list their contents and most are metal free.

When using these metallic chemicals it is best to line any aluminium surface with polythene, if not wash down well after the application. When growing on a capillary bed (sand, gravel or matting) which is not lined with polythene, apply chemicals to plants away from the bed and drain thoroughly before replacing.