

COVER FOR 36" WIDE PLUNGE BENCH/TRAYS E14(01)
Assembly Instructions



COMPONENTS

	LENGTH OF COVER						
	20"	40"	60"	80"	100"	Extra 20"	
A End Connecting Rail `T' 18"	4	4	4	4	4	--	
B Side Connecting Rail `T' 20"	2	4	6	8	10	2	
C Left Corner Upright `L' 14"	2	2	2	2	2	--	
D Right Corner Upright `L' 14"	2	2	2	2	2	--	
E End Centre Upright `T' 16 3/4"	2	2	2	2	2	--	
F Centre Upright `T' 14"	--	2	4	6	8	2	
G Top Left End Rail `L' 18 1/8"	2	2	2	2	2	--	
H Top Right End Rail `L' 18 1/8"	2	2	2	2	2	--	
I Centre Rail `T' 18 1/8"	--	2	4	6	8	2	
J Corner plate	--	2	4	6	8	2	
K Centre plate	--	1	2	3	4	1	
L Plastic End Panel	4	4	4	4	4	--	
M Plastic Sheet - Front/Back 20" x 13 1/4"	2	4	6	8	10	2	
N - Top Front 20" x 8 1/2"	2	4	6	8	10	2	
O - Top Back 20" x 8 1/2"	2	4	6	8	10	2	
P Cover Bar 20"	1	2	3	4	5	1	
Q Hinge 20"	4	8	12	16	20	4	
R Catch Bar 20"	2	4	6	8	10	2	
S Knob	2	4	6	8	10	2	
T Edging Strip	2	4	6	8	10	2	
Bolts (short/long)	52/4	98/8	144/12	190/16	236/20	46/4	
Nuts	58	110	162	214	266	52	

1. Please identify and check the components.
2. Attach the side and end connecting rails to the top of the bench/tray using the existing bolts
3. Bolt the corner and end centre uprights and plastic end panels to the inside of the connecting rails and then the centre uprights, incorporating a catch bar at either end (see diag.3).
4. Bolt on the top rails.
5. Assemble the plastic cover sections as illustrated. Position each section of cover over the supporting framework and

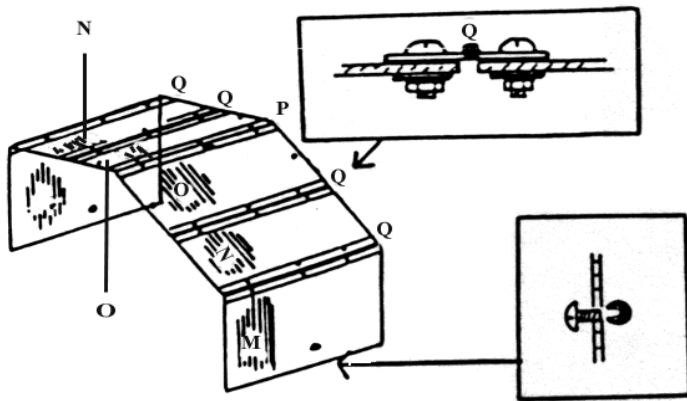
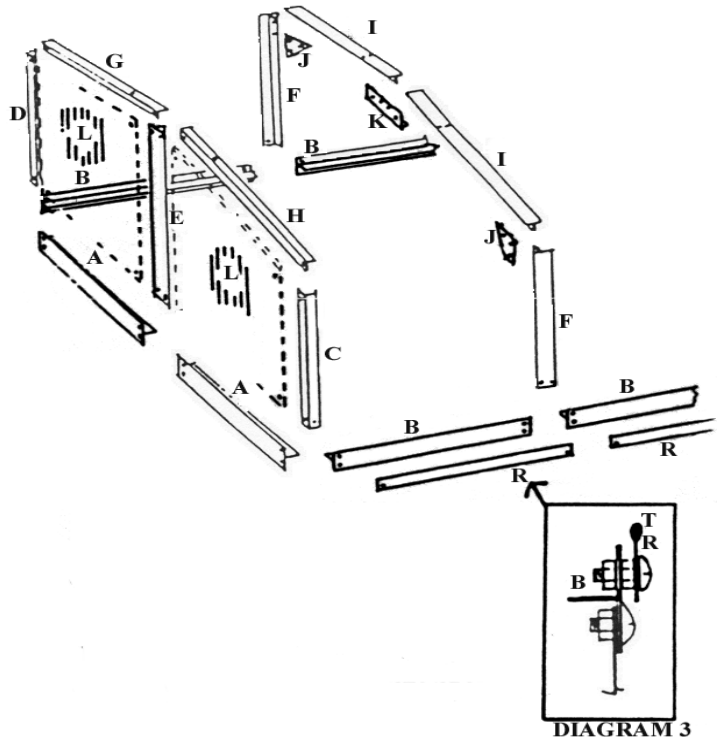


DIAGRAM 3