

COVER FOR 30" WIDE PLUNGE BENCH/TRAYS E13(01)

Assembly Instructions



COMPONENTS

Code	Components		LENGTH OF COVER					
			20"	40"	60"	80"	100"	Extra 20"
A	End Connecting Rail	T' 15"	4	4	4	4	4	--
B	Side Connecting Rail	T' 20"	2	4	6	8	10	2
C	Left Corner Upright	L' 14"	2	2	2	2	2	--
D	Right Corner Upright	L' 14"	2	2	2	2	2	--
E	End Centre Upright	T' 16 3/4"	2	2	2	2	2	--
F	Centre Upright	T' 14"	--	2	4	6	8	2
G	Top Left End Rail	L' 15 1/8"	2	2	2	2	2	--
H	Top Right End Rail	L' 15 1/8"	2	2	2	2	2	--
I	Centre Rail	T 15 1/8"	--	2	4	6	8	2
J	Corner Plate		--	2	4	6	8	2
K	Centre Plate		--	1	2	3	4	1
L	Plastic End Panel		4	4	4	4	4	--
M	Plastic Sheet – Front/Back	20" x 13 1/4"	2	4	6	8	10	2
N	Plastic Sheet – Top Front	20" x 7 1/2"	2	4	6	8	10	2
O	Plastic Sheet – Top Back	20" x 7 1/2"	2	4	6	8	10	2
P	Cover Bar	20"	1	2	3	4	5	1
Q	Hinge	20"	4	8	12	16	20	4
R	Catch Bar	20"	2	4	6	8	10	2
S	Knob		2	4	6	8	10	2
T	Edging Strip		2	4	6	8	10	2
	Bolts (short/long)		52/4	98/8	144/12	190/16	236/20	46/4
	Nuts		58	110	162	214	266	54

1. Please identify and check the components.
2. Attach the side and end connecting rails to the top of the bench/tray using the existing bolts
3. Bolt the corner and end centre uprights and plastic end panels to the inside of the connecting rails and then the centre uprights, incorporating a catch bar at either end (see diag.3).
4. Bolt on the top rails.
5. Assemble the plastic cover sections as illustrated. Position each section of cover over the supporting framework and bolt in position (top back panels).

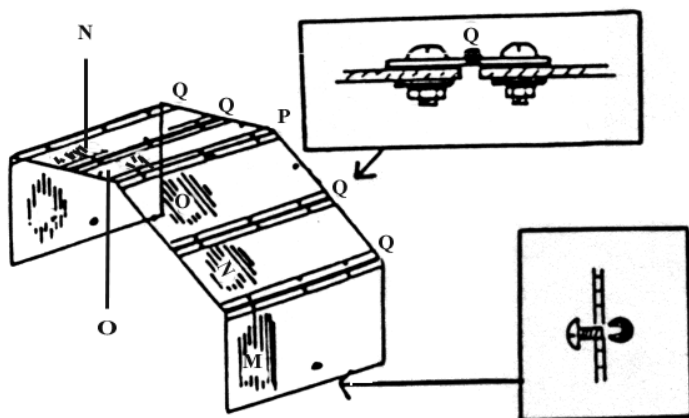
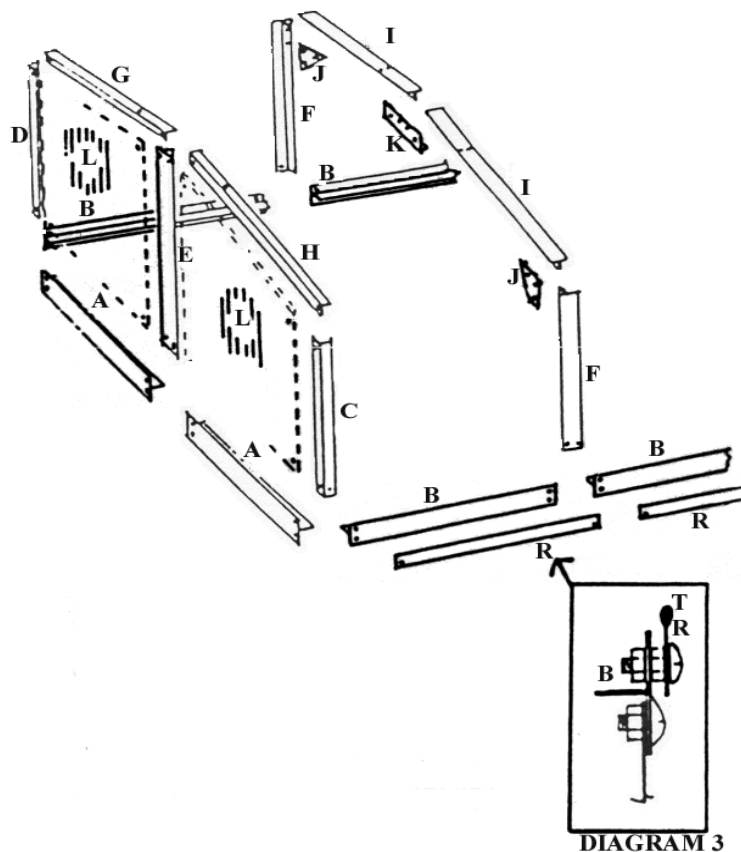


DIAGRAM 3

TWO WESTS & ELLIOTT LTD

4, Carrwood Road, Chesterfield, Derbyshire, S41 9RH. Tel: (01246) 451077