

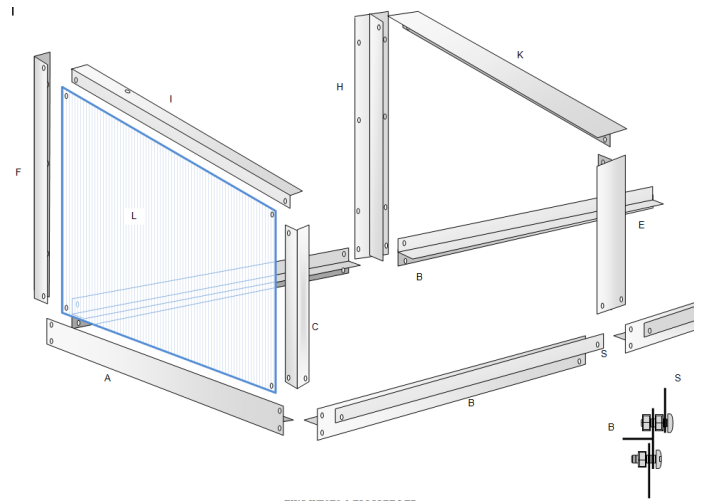
**COVER FOR HOT BENCH, 24" WIDE PLUNGE
BENCH/TRAYS, HEATED TRAYS E12(03)**
Assembly Instructions



COMPONENTS

Code	Components		Length of cover					
			20"	40"	60"	80"	100"	Extra 20"
A	End Connecting rail	T' 23"	2	2	2	2	2	--
B	Side Connecting Rail	T' 20"	2	4	6	8	10	2
C	Front Left Corner Upright	L' 14"	1	1	1	1	1	--
D	Front Right Corner Upright	L' 14"	1	1	1	1	1	--
E	Front Centre Upright	T' 14"	--	1	2	3	4	1
F	Back Left Corner Upright	L' 16 3/4"	1	1	1	1	1	--
G	Back Right Corner Upright	L' 16 3/4"	1	1	1	1	1	--
H	Back centre Upright	T' 16 3/4"	--	1	2	3	4	1
I	Top left End Rail	L' 23 1/8"	1	1	1	1	1	--
J	Top Right End Rail	L' 23 1/8"	1	1	1	1	1	--
K	Top Centre Rail	T' 23 1/8"	--	1	2	3	4	1
L	Plastic End Panels		2	2	2	2	2	--
M	Plastic Sheet – Front	20" x 13 3/8"	1	2	3	4	5	1
N	Plastic Sheet – Top Front	20" x 11 1/2"	1	2	3	4	5	1
O	Plastic Sheet – top Back	20" x 11 1/2"	1	2	3	4	5	1
P	Plastic Sheet – Back	20" x 16"	1	2	3	4	5	1
Q	Cover Bar	L' 20"	1	2	3	4	5	1
R	Hinge	20"	2	4	6	8	10	2
S	Catch Bar	flat 20"	1	2	3	4	5	1
T	Knob		1	2	3	4	5	1
U	Edging Strip		1	2	3	4	5	1
	Bolts (short/long)		37/2	68/4	99/6	130/8	161/10	31/2
	Nuts		40	74	108	142	176	34

1. Please identify and check the components.
2. Attach the side and end connecting rails to the top of the bench/tray using the existing bolts (NB. this does not apply to the heated tray - the cover just rests over the tray).
3. Bolt the corner uprights and plastic end panels to the inside of the connecting rails and then the centre uprights, incorporating the catch bar at the front using the long bolt and nut as spacer. (see diag.3).
4. Bolt on the top rails.
5. Assemble the plastic cover sections as illustrated. Position each section of cover over the supporting framework and secure by bolting the back and back top panels in



TWO WESTS & ELLIOTT LTD
4, Carrwood Road, Chesterfield, Derbyshire, S41 9RH. Tel: (01246) 451077

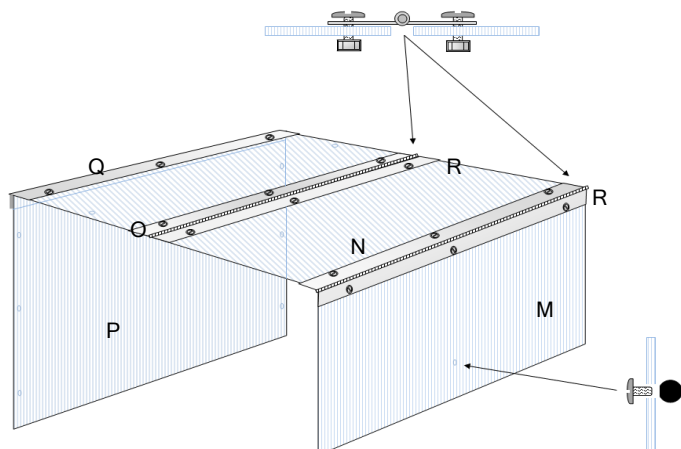


DIAGRAM 3

