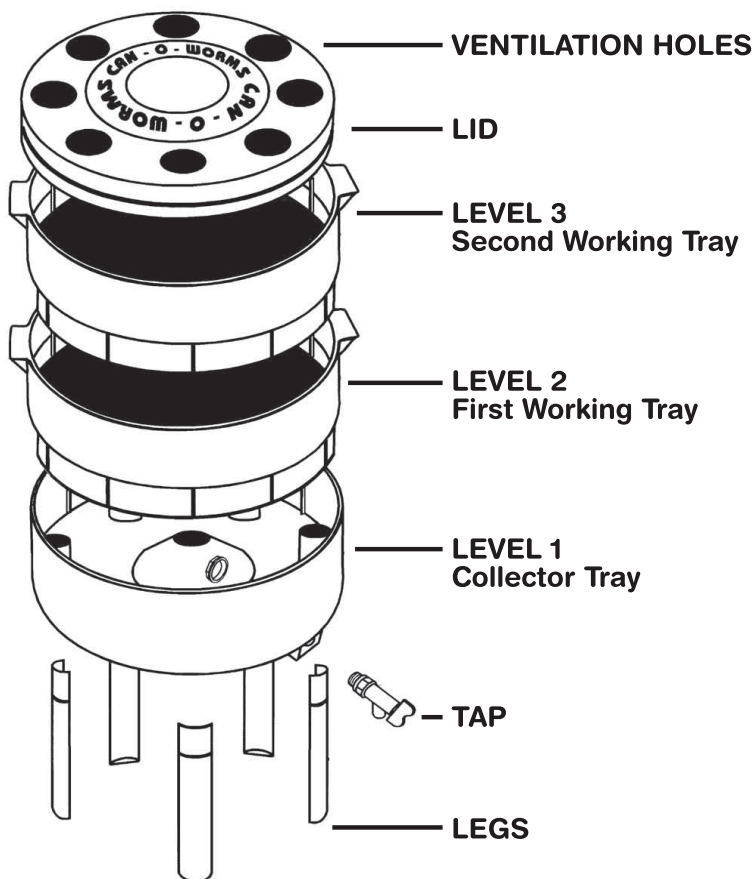


Can-O-Worms™

Tumbleweed's Can-O-Worms™ is a great way to get kids into recycling and its bursting with fun!

The world's best selling worm farm has been designed with built in mounds to encourage worms to move from collector trays to working trays, a unique flow through ventilation to maximise performance and no mess extras like well designed legs and a drip free tap.



ASSEMBLY INSTRUCTIONS

- 1 Fix the tap to the Collector Tray with the nut on the inside. (Turn the tap not the nut).
- 2 Attach the five legs making sure they slide firmly into place.
- 3 Place one Working Tray on the Collector Tray. (Put aside the other Working Trays in a convenient place until you need them).