

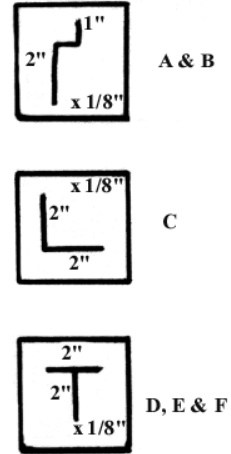
COMMERCIAL BENCHING TWO TIER 4' - 8' C4(03)
Assembly Instructions



MODEL: _____ **Long** _____ **Wide**
COMPONENTS

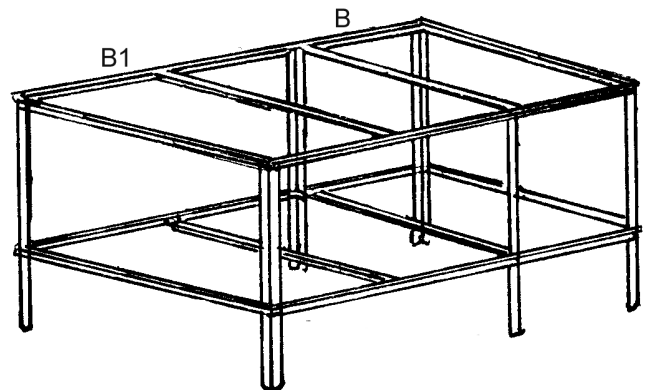
COMPONENTS	LENGTH OF BENCH	LENGTH OF BENCH		
		4'	6'	8'
HORIZONTAL FRAME	COMPONENT LENGTH			
A Width Piece	24" / 32" / 36" / 48"	4	4	4
B Length Piece	24" Single Mitre	--	4	--
B1 Length piece	48" Single Mitre	--	4	8
B2 Length Piece	48" Double Mitre	4	--	--
C Corner Leg	30"	4	4	4
D Mid Leg	30"	--	2	2
E Cross Piece	22" / 30" / 34" / 46"	2	4	6
F Cross Piece Bracket	2"	4	4	8
Bolts & Nuts	1/2"	96	128	160
Panel	2' x 24" / 32" / 36" / 48"	4	6	8
Panel Supports	24" (for 32", 36" & 48" wide only)	4	6	8
Or Slats	24" / 32" / 36" / 48"	24	36	48

CROSS SECTIONS

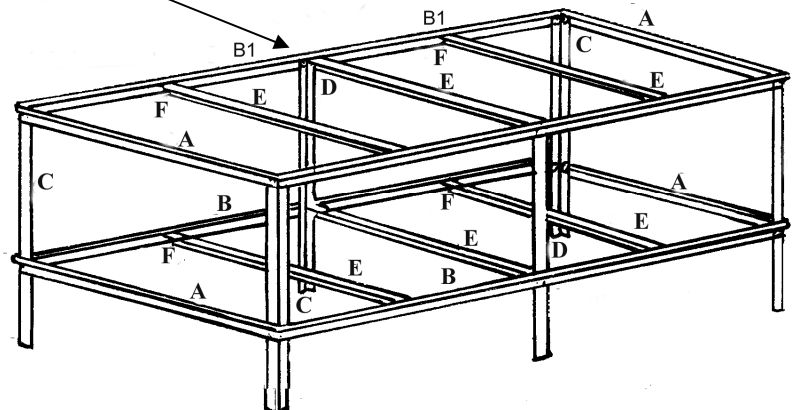
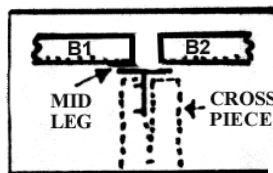
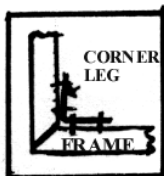


PLEASE NOTE: Assemble the whole unit with the bolts and nuts fingertight only. When complete square up and tighten.

1. Please check the components.
2. Bolt the corner legs to width pieces 'A'.
3. Bolt the mid legs to cross pieces 'E'.
4. Bolt on the horizontal frame length pieces 'B'.
5. Attach the intermediate cross pieces to the horizontal frame using the 2" cross piece brackets.
6. Panel supports are supplied for 32", 36" and 48" wide benches. These 24" long 1" x 1" angle pieces should be positioned lengthways down the bench centrally between the cross pieces E and at either end between width piece A and cross piece E.



6FT MODEL



8FT MODEL

Long Term Care of Aluminium Benches & Shelves.

Prolonged contact with chemicals containing metal compounds can cause aluminium to corrode (an electrolytic reaction occurs). Typical of these are Cheshunt Compound and Bordeaux mixture both of which contain copper. All chemicals should list their contents and most are metal free. When using these metallic chemicals it is best to line any aluminium surface with polythene, if not wash down well after the application. When growing on a capillary bed (sand, gravel or atting) which is not lined with polythene, apply chemicals to plants away from the bed and drain thoroughly before replacing.