

COMMERCIAL BENCHING SINGLE TIER(C1)⁽²²⁾

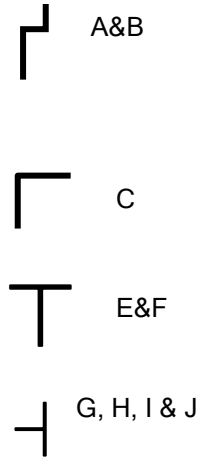
Assembly Instructions

MODEL: _____ Long _____ Wide



CROSS SECTIONS

COMPONENTS		LENGTH OF BENCH		
TOP FRAME	COMPONENT LENGTH	4'	6'	8'
A Width Piece	24" / 32" / 36" / 48"	2	2	2
B Length Piece	24" Single Mitre	--	2	--
B1 Length Piece	48" Single Mitre	2	2	4
B2 Length Piece	48" No Mitre	--	--	--
C Corner Leg	30"	4	4	4
D Mid Leg	30"	--	2	2
E Cross Piece	22" / 30" / 34" / 46"	1	2	3
F Cross Piece Bracket	2"	2	2	4
LOWER BRACING				
G Length Piece	46 1/2"	1	1	2
H Length Piece	22 1/2"	--	1	--
I Cross Piece	20" / 28" / 32" / 44"	2	3	3
J Bracket	2"	--	1	1
Bolts & Nuts	1/2" (inc 16 Square Nuts)	60	88	104
Panel	2' x 24" / 32" / 36" / 48"	2	3	4
Angle Panel support	24" (for 32" 36" 48" wide only)	2	3	4
Or Slats	24" / 32" / 36" / 48"	12	18	24



Assemble the whole unit finger tight. Only once complete square up the frame and tighten fully.

1. Please check and familiarise yourself with the profiles and sizes of all the components.
2. Bolt the corner legs "C" to the top width frame "A" using the square nuts to the inside holes.
3. Bolt on the lower cross piece "I" to the sets of holes approximately 12" up.
4. Bolt a cross piece "E" to the top of two mid legs "D".
5. Bolt on the lower cross piece "I" to the sets of holes approximately 12" up.
The smaller 2" bracket "J" bolts to the centre of the lower cross piece.
6. The remaining cross pieces "E" have a 2" cross piece bracket "F" bolted at each end.

For the 4' long model, join the two end sections using the two double mitred length pieces "B".
Add the central cross piece with brackets Join the lower cross pieces "I" with length brace "G".

For the 6' and 8' model, attach two single mitred length pieces to an end section.
To the end of these, bolt in the mid-section together with the two further single mitred length pieces.
Bolt on the opposite end section.
Bolt the cross pieces with brackets into the remaining holes in the upper length pieces "B".
Join the lower cross pieces with the lower length bracing "G" & "H".

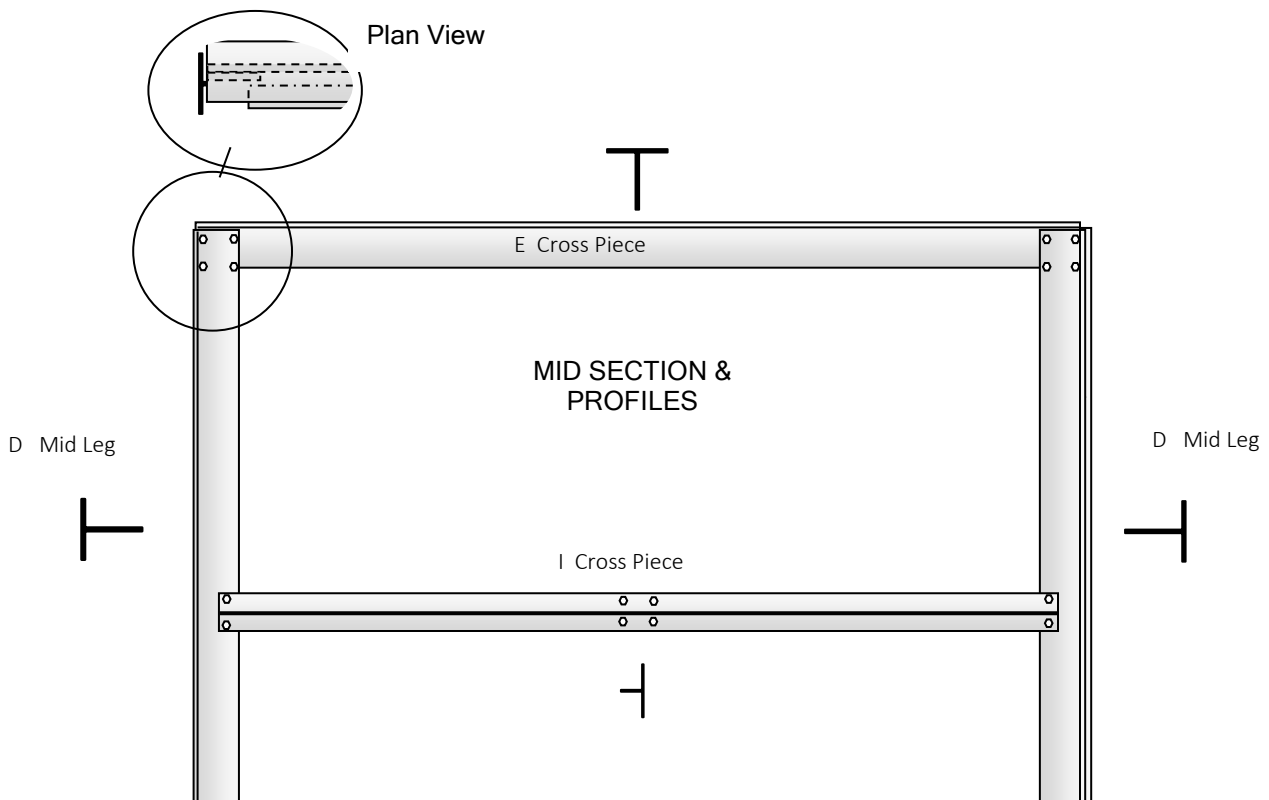
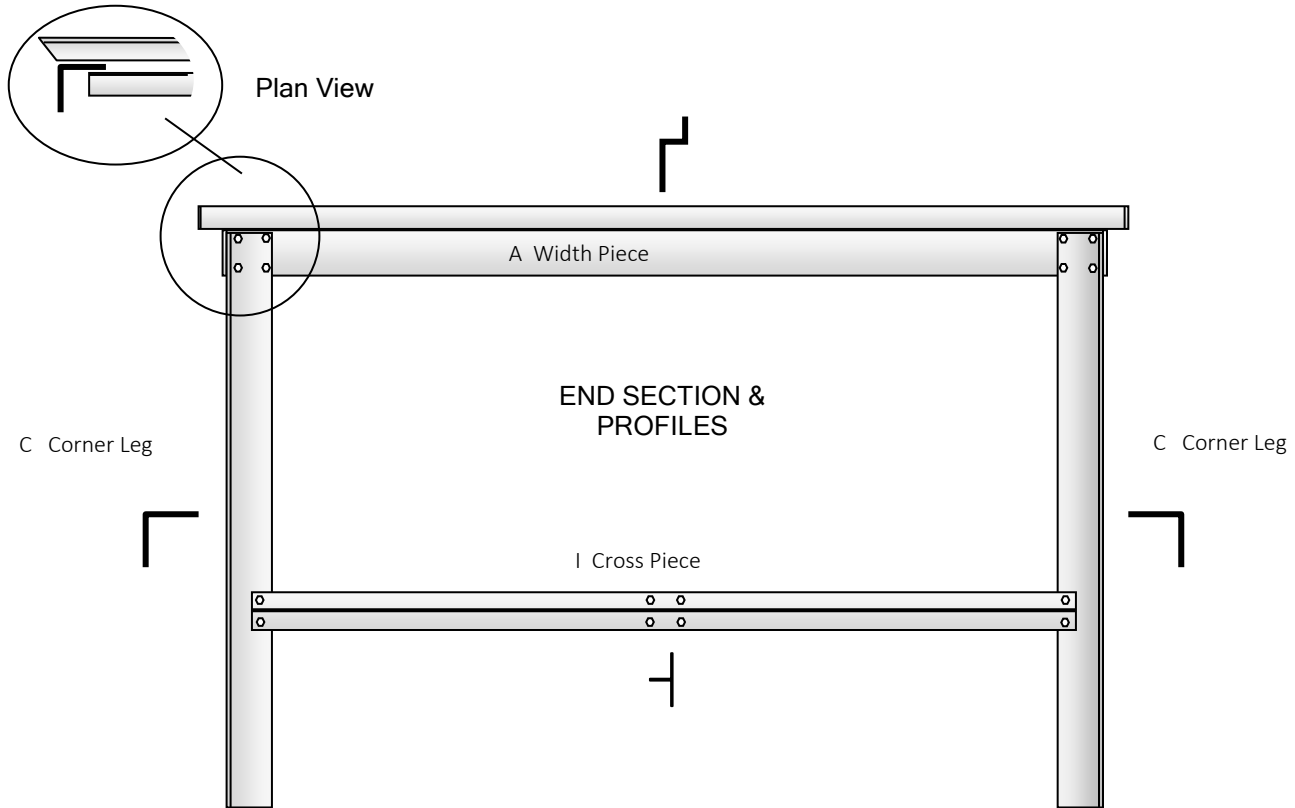
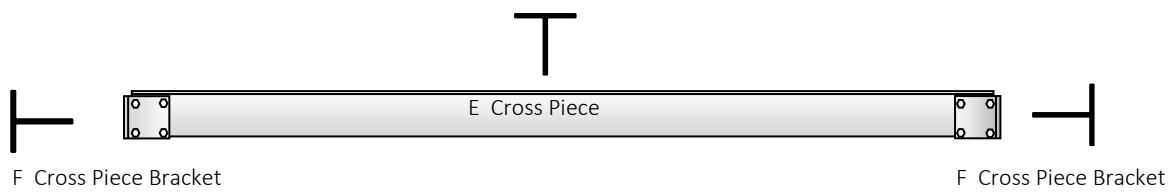
Once in situ, square up the framework and tighten all the nuts and bolts fully using a screwdriver and spanner or socket.

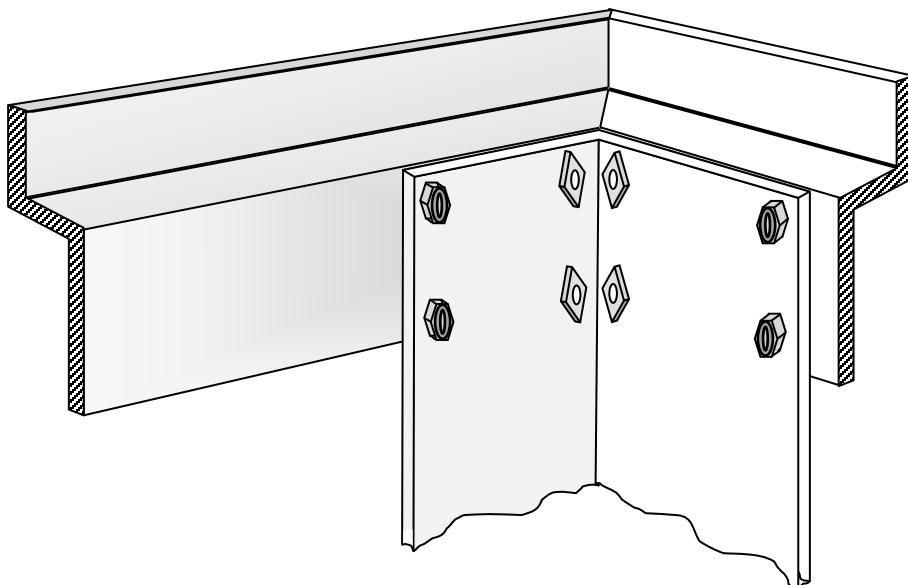
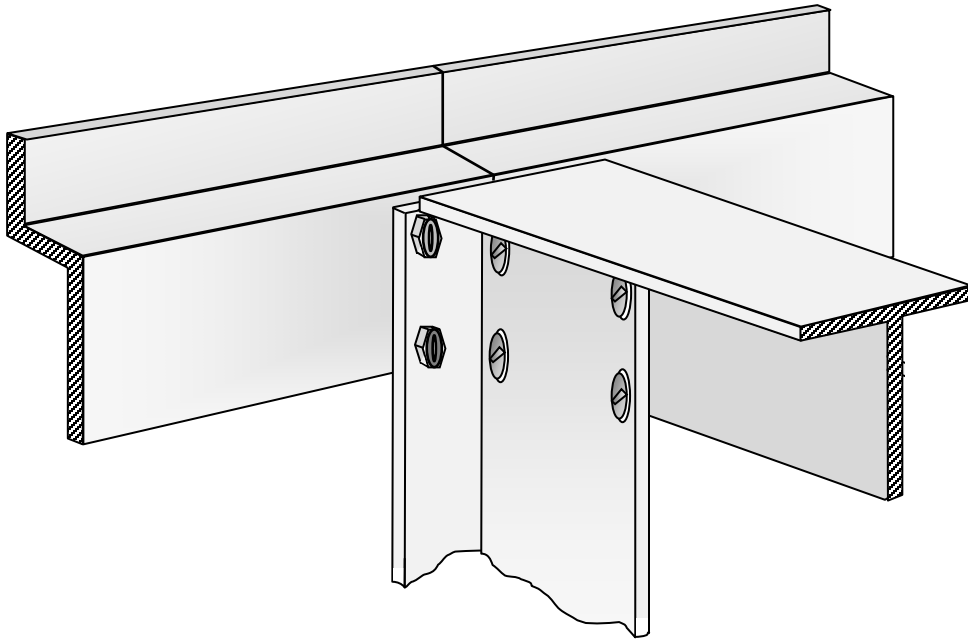
The panel supports are supplied for benches 32", 36" and 48" wide, with solid tops. These rest centrally down the length of the bench before positioning the plates.

Please note you may need to slacken off some bolts when positioning the plates or slats, then re-tighten.

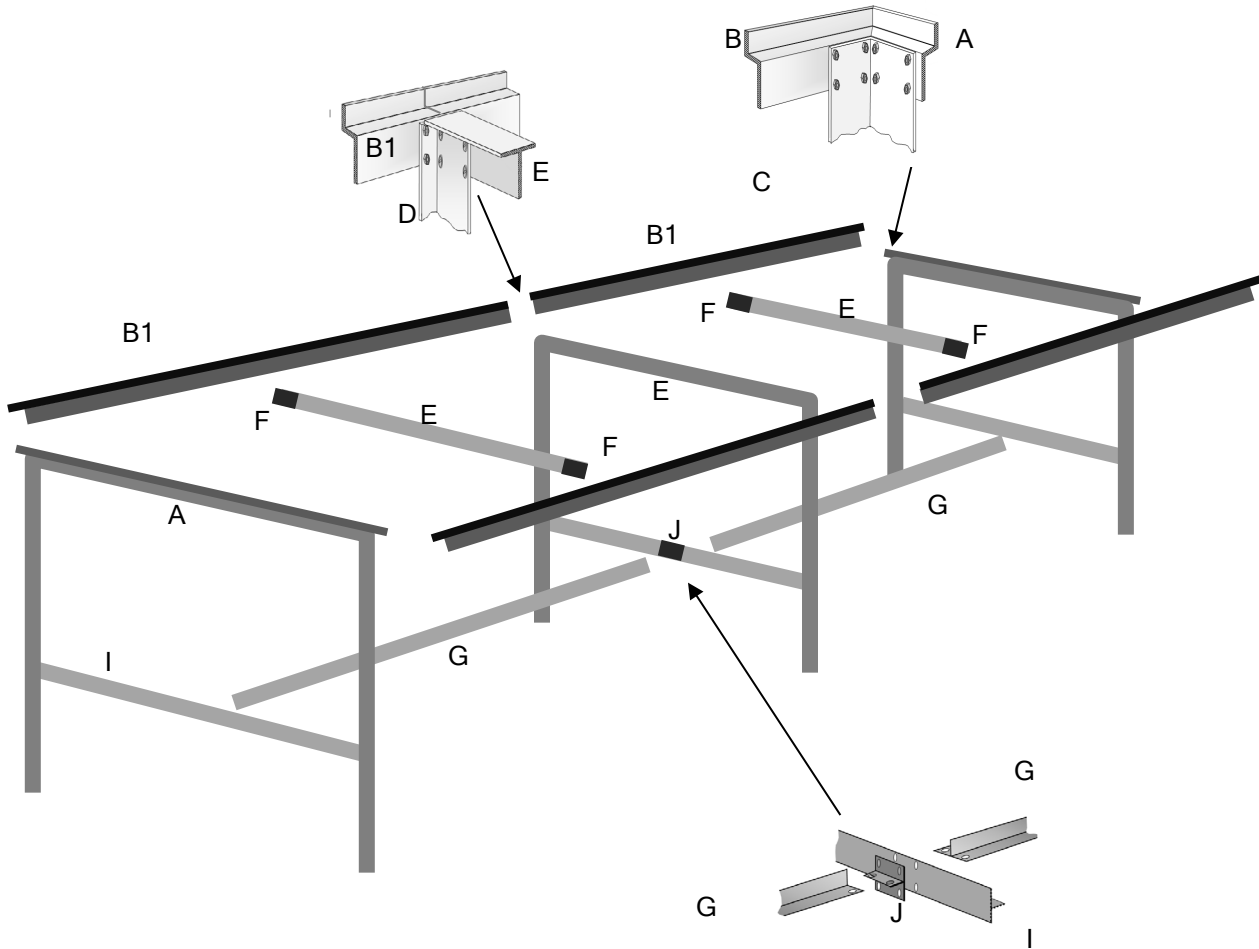
TWO WESTS & ELLIOTT LTD

4, Carrwood Road, Chesterfield, Derbyshire, S41 9RH. Tel: (01246) 451077





Corner Leg with square nuts to the inside holes.



Long Term Care of Aluminium

Prolonged exposure and contact with chemicals containing metal compounds can have a corrosive effect on aluminium.

Typical of these are modern fertilisers that can contain Potassium and Potassium Chloride or more traditional such as Cheshunt Compound and Bordeaux Mixture, both of which contain Copper. All of these, when mixed with water, can create Ionic Salts which can attack the surface and cause pitting, eventually leading to small holes appearing in the aluminium.

When using any metal based chemicals it is best to line any aluminium surface with polythene or to wash down thoroughly after each application. When using an unlined bench as a capillary bed with sand or matting, apply the chemicals away from the bed and drain well before replacing.

If you're in any doubt, please check the manufacturers label as this will include a list of the contents.

You should report any problems relating to the product within 7-10 days from receipt.