

# Two Wests Clearspan Staging

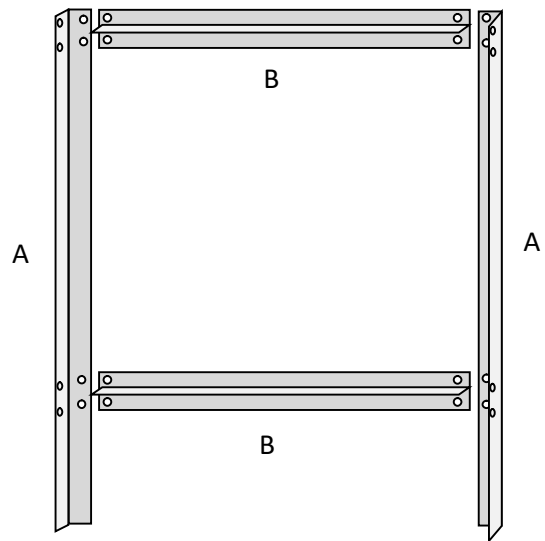
## Assembly Instructions



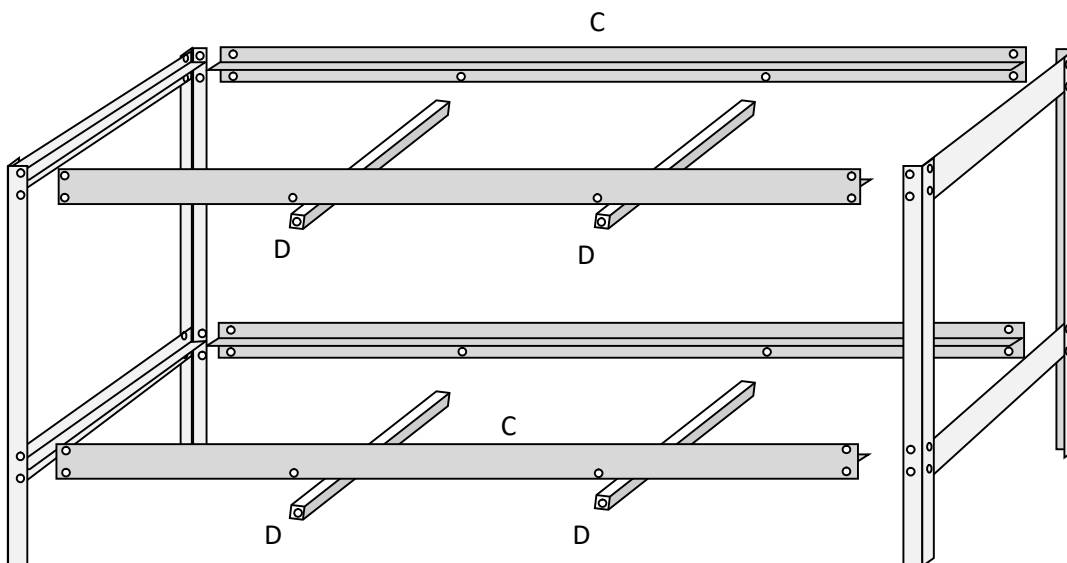
Components		All Trays	All Slats	½ & ½
A. Corner Legs (angle)	759mm	4	4	4
B. End Horizontals (Tee)	580mm	4	4	4
C. Length Horizontals (Tee)	1150mm	4	4	4
D. Support Bars (angle)	580mm	4	4	4
Trays	570mm x 375mm	6	-	3
Timber Slats	566mm	-	36	18
Slat Spacer Bars (angle)	376mm	-	12	6
Nuts & Bolts		40	40	40
Woodscrews		-	72	36

Before assembly please check all components.

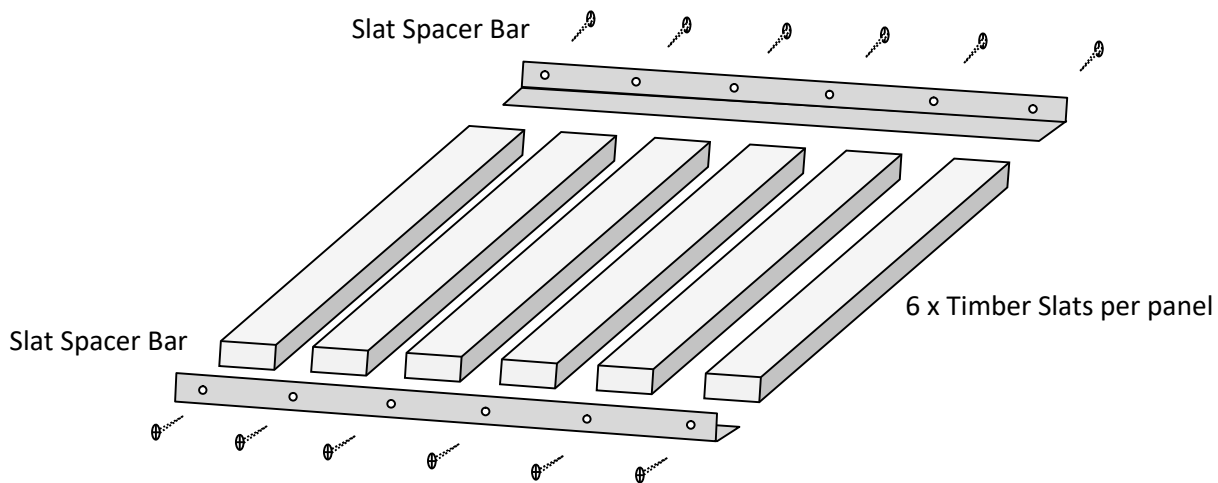
- Using the Corner Legs and End Horizontal Ts, assemble the two end sections as shown, finger tight only.



- Join the two end sections together using the Length Horizontals "C" noting that the holes on the sides need to be on the lower edge.



- Bolt the four support bars to the lower part of the Length Horizontals.



4. For the Timber Slatted option assemble each panel as shown above using the wood screws provided.



5. When fully assembled square up the whole frame and tighten fully. Place the trays and panels into position.

#### **Long Term Care of Aluminium**

Prolonged exposure and contact with chemicals containing metal compounds can have a corrosive effect on aluminium.

Typical of these are modern fertilisers that can contain Potassium and Potassium Chloride or more traditional such as Cheshunt Compound and Bordeaux Mixture, both of which contain Copper. All of these, when mixed with water, create Ionic Salts which can attack the surface and cause pitting, eventually leading to small holes appearing in the aluminium.

When using any metal based chemicals it is best to line any aluminium surface with polythene or to wash down thoroughly after each application. When using an unlined bench as a capillary bed with sand or matting, apply the chemicals away from the bed and drain well before replacing.

If you're in any doubt please check the manufacturers label as this will include a list of the contents.