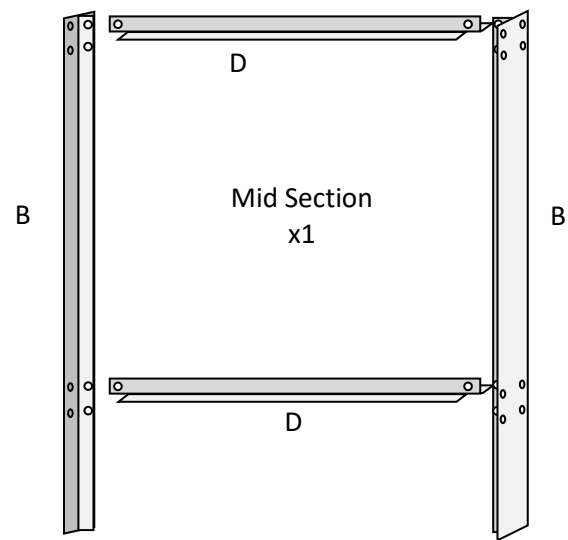
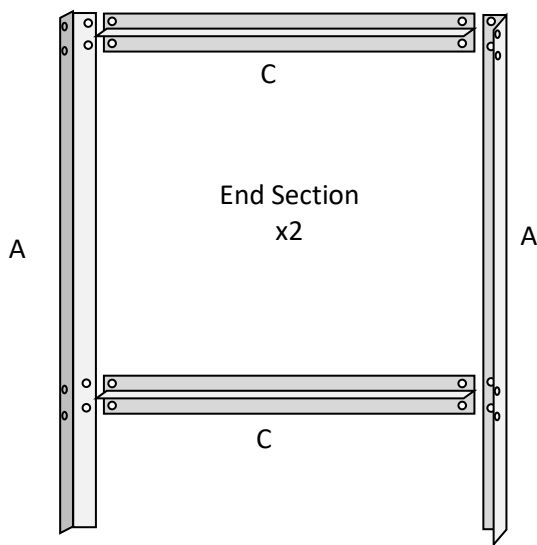


Two Wests 70" Clearspan Staging

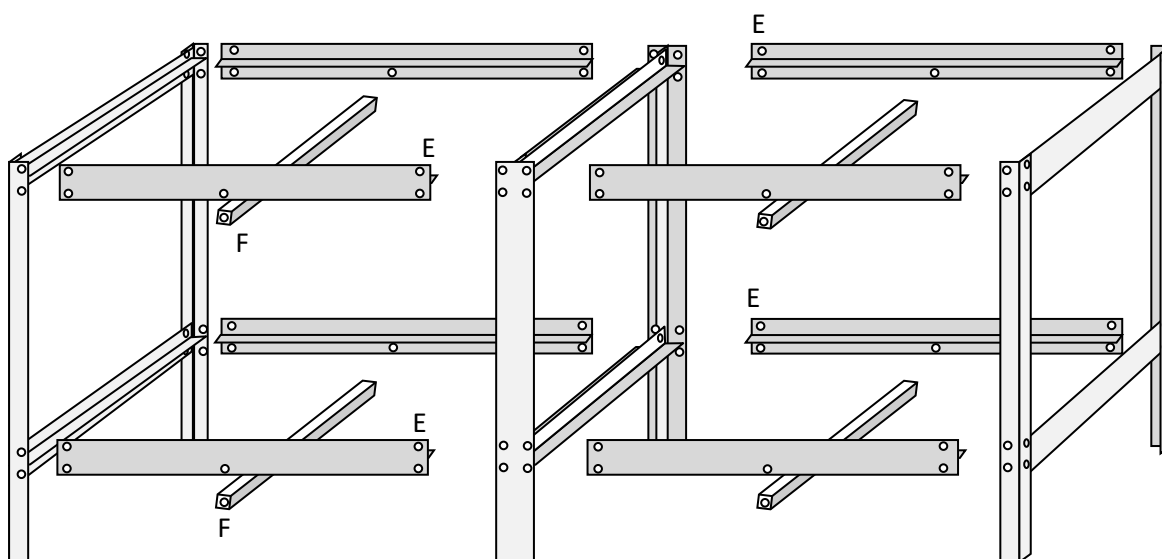
Assembly Instructions



Components		All Trays	All Slats	½ & ½
A. Corner Legs (angle)	759mm	4	4	4
B. Mid Legs (Tee)	759mm	2	2	2
C. End Horizontals (Tee)	584mm	4	4	4
D. Mid Horizontals (Tee, with crop)	584mm	2	2	2
E. Length Horizontals (Tee)	884mm	8	8	8
F. Support Bars (angle)	584mm	4	4	4
Trays	570mm x 435mm	8	-	4
Timber Slats	566mm	-	56	28
Slat Spacer Bars (angle)	435mm	-	16	8
Nuts & Bolts		60	60	60
Woodscrews		-	112	56

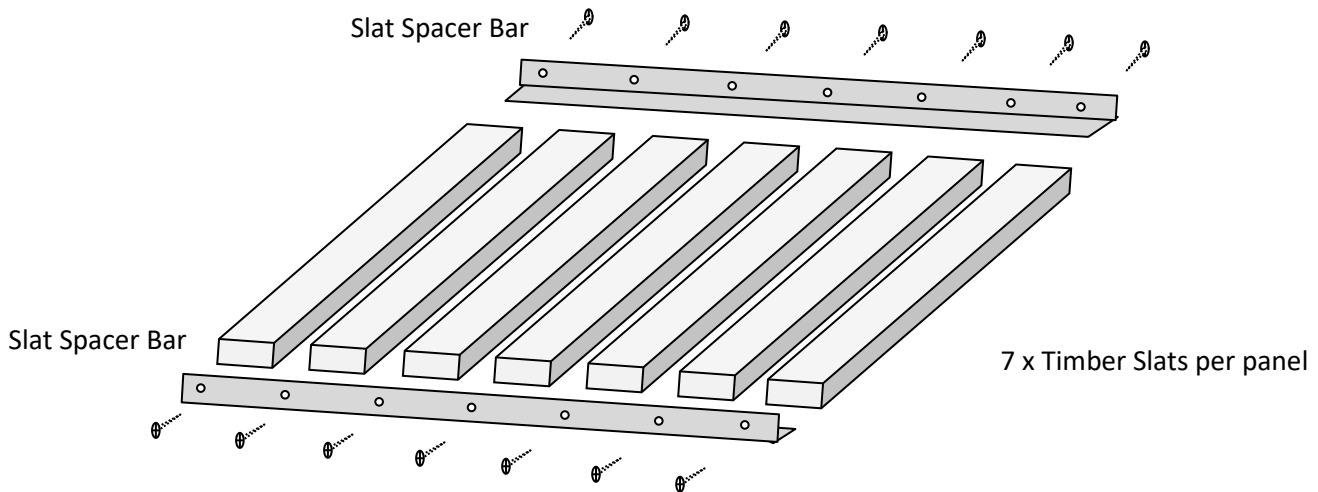


Using components A, B, C & D assemble the two end sections and the mid section as shown above as shown, finger tight only. On the mid section, the two mid horizontals need to be bolted into the top of the two holes on the inside of the mid leg.



Join the two end sections and the mid section together using the Length Horizontals "E". Note that the central hole needs to be on the lower edge.

Bolt the four support rails into the central holes on the length Horizontals.



4. For the Timber Slatted option assemble each panel as shown above using the wood screws provided.



5. When fully assembled square up the whole frame and tighten fully. Place the trays and panels into position.

Long Term Care of Aluminium

Prolonged exposure and contact with chemicals containing metal compounds can have a corrosive effect on aluminium.

Typical of these are modern fertilisers that can contain Potassium and Potassium Chloride or more traditional such as Cheshunt Compound and Bordeaux Mixture, both of which contain Copper. All of these, when mixed with water, create Ionic Salts which can attack the surface and cause pitting, eventually leading to small holes appearing in the aluminium.

When using any metal based chemicals it is best to line any aluminium surface with polythene or to wash down thoroughly after each application. When using an unlined bench as a capillary bed with sand or matting, apply the chemicals away from the bed and drain well before replacing.

If you're in any doubt please check the manufacturers label as this will include a list of the contents.