

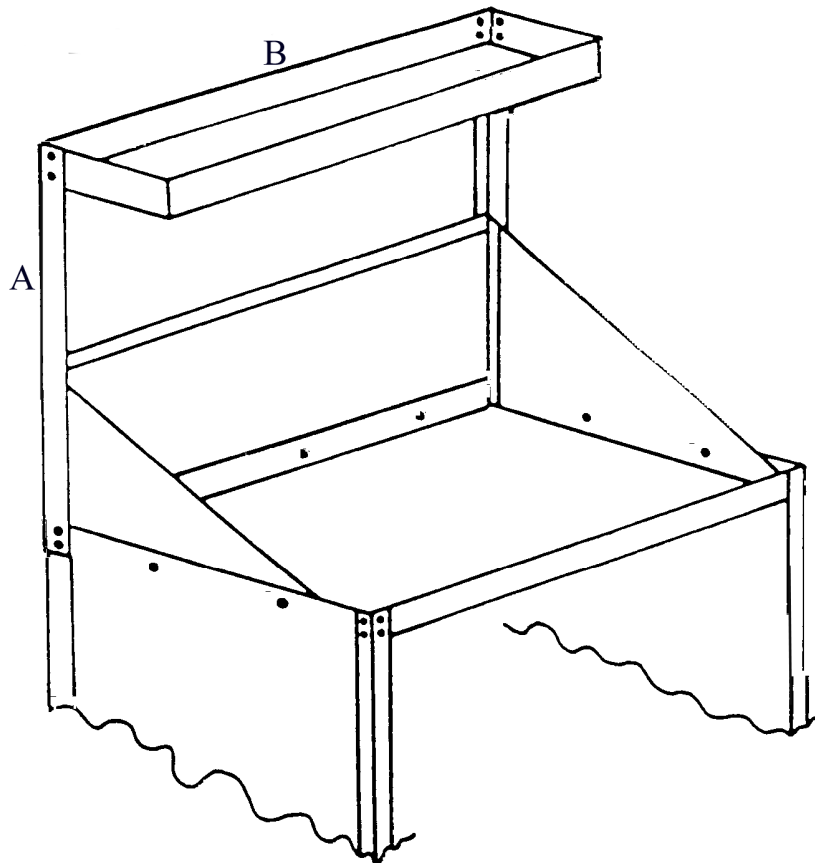
POTTING BENCH SHELF B6(01)

Assembly Instructions



COMPONENTS

A	'L' Angle 550mm Long	2
B	Tray 23" x 8" x 2"	1
	Nuts & Bolts	8
	Black Edging Strip	5'



PLEASE NOTE:

All nuts & bolts should be fastened fingertight only - when the unit is complete tighten them all up.

1. Please check the components.
2. Fit Angles 'A' to bench or tray (in place of component 'C' on Potting Bench - 9½" long pieces).
3. Bolt the tray into position.

TWO WESTS & ELLIOTT LTD
4, Carrwood Road, Chesterfield, Derbyshire, S41 9RH. Tel: (01246) 451077