

**POTTING BENCH** B4(01)  
Assembly Instructions

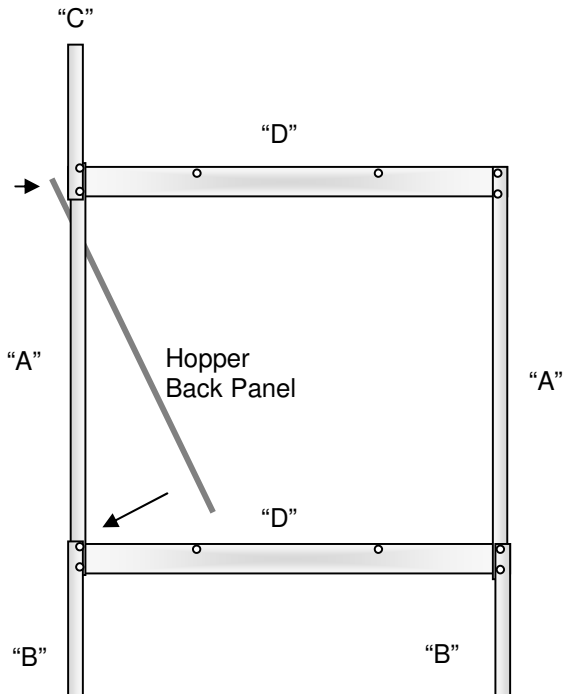


**COMPONENTS**

<b>A</b>	<b>Hopper Angle Pieces - 27¼" long</b>	<b>4</b>
<b>B</b>	<b>Leg Angle Pieces - 10½" long</b>	<b>4</b>
<b>C</b>	<b>Tray Angle Pieces - 9½" long</b>	<b>2</b>
<b>D</b>	<b>Trays (23" x 20" x 2" deep)</b>	<b>2</b>
<b>E</b>	<b>Tray Sides (triangular)</b>	<b>2</b>
<b>F</b>	<b>Tray Back Panel</b>	<b>1</b>
<b>G</b>	<b>Hopper Back Panel</b>	<b>1</b>
<b>H</b>	<b>Hopper Side Panels</b>	<b>2</b>
<b>I</b>	<b>Wooden Slats</b>	<b>4</b>
	<b>Cover Plate for compost removal hole</b>	<b>1</b>
	<b>Black Edging Strip</b>	<b>3</b>
	<b>Nuts &amp; Bolts</b>	<b>47</b>
	<b>Foot Plates</b>	<b>4</b>

**PLEASE NOTE :**

**All nuts & bolts should be fastened finger tight only at first - when the unit is complete tighten them all up.**



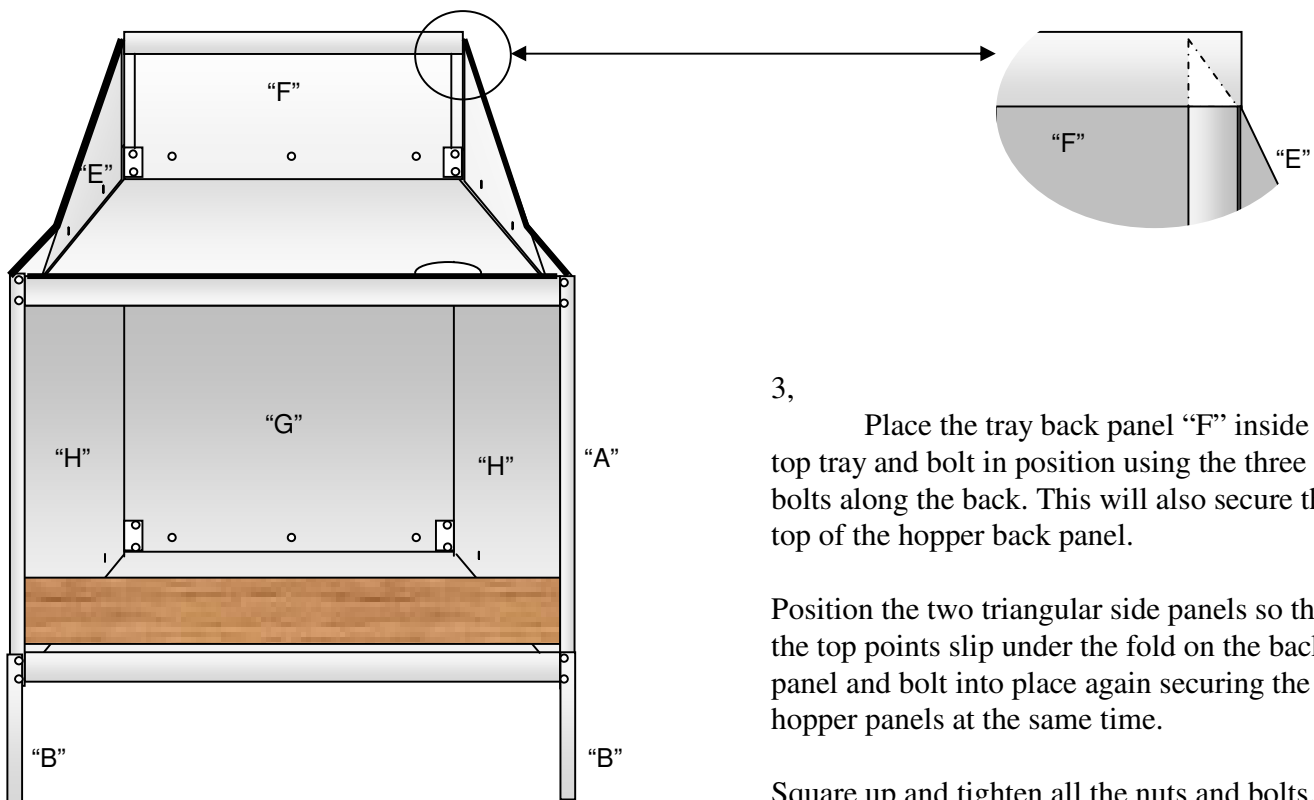
1,  
Take the two trays "D" and bolt the angle pieces "A" "B" and "C" onto the corners as shown, with "A" inner most. Both trays need to be flat side down.

Please note that the trays need to be positioned so that the edges without any bolt holes are facing towards the front and that the tray with the 4" hole is the top tray.

2,  
With the larger crop outs to the top, place the hopper back panel so that the bottom is to the inside of the lower tray but to the outside of the upper tray and bolt in position using the three bolt holes in the lower tray only at this point.

Repeat this for the two hopper side panels "H" with the folded edges facing towards the front and again with the larger crop outs to the top. The folded edges form the channel to secure the wooden hopper slats.

The point of the side goes under the fold on the back panel.



3,  
Place the tray back panel "F" inside the top tray and bolt in position using the three bolts along the back. This will also secure the top of the hopper back panel.

Position the two triangular side panels so that the top points slip under the fold on the back panel and bolt into place again securing the hopper panels at the same time.

Square up and tighten all the nuts and bolts.

4,  
Push the black edging strip over the front edge of the top tray and down both sloping edges of the side panels.  
(you may need to trim to size).

Position the wooden slats in the channel of the lower hopper so that the tongue and groove edges lock into each other (these can be treated if preferred).

If going onto soft ground, position the four footplates under each leg before filling the hopper with compost to stop it sinking.

#### ***Long Term Care of Aluminium Benches & Shelves.***

Prolonged contact with chemicals containing metal compounds can cause aluminium to corrode (an electrolytic reaction occurs). Typical of these are Cheshunt Compound and Bordeaux mixture both of which contain copper. All chemicals should list their contents and most are metal free.

When using these metallic chemicals it is best to line any aluminium surface with polythene. If not, wash down well after the application. When growing on a capillary bed (sand, gravel or matting) which is not lined with polythene, apply chemicals to plants away from the bed and drain thoroughly before replacing.