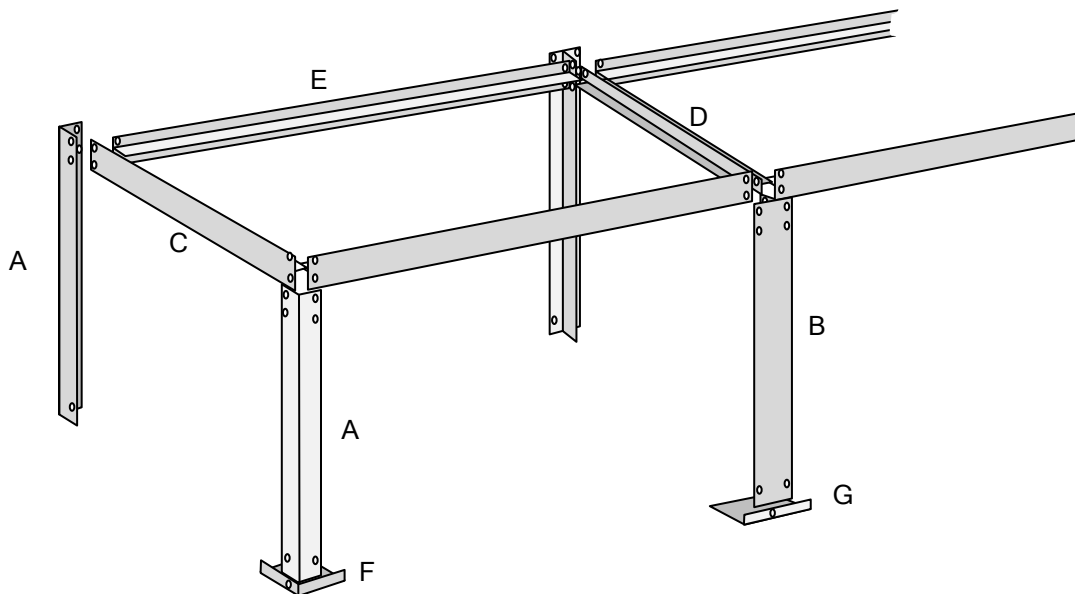


COMPONENTS

Length of Staging		2'6"	5'	7'6"	10'
A	Corner Leg 'L' 21 ½"	4	4	4	4
B	Mid Leg 'T' 21 ½"	--	2	4	6
C	End Cross Piece 'T' 10"/15"	2	2	2	2
D	Mid Cross Piece 'T' 10"/15"	--	1	2	3
E	Length Piece 'T' 30"	2	4	6	8
F	Corner Foot Plate	4	4	4	4
G	Mid Foot Plate	--	2	4	6
Nuts & Bolts		20	32	44	56
Tray 30" x 10"/15"		1	2	3	4



1. Please check the components.
2. Assemble the staging, finger tight only, as shown in the above with the horizontals to the inside of the legs building up multiples to the required length.
3. Once assembled, square up the whole structure and tighten fully.
4. Rest the trays in position - these are reversible so can be used as either dished trays, ideal for use with matting or as a flat working surface.

Long Term Care of Aluminium

Prolonged exposure and contact with chemicals containing metal compounds can have a corrosive effect on aluminium.

Typical of these are modern fertilizers that can contain Potassium and Potassium Chloride or more traditional such as Cheshunt Compound and Bordeaux Mixture both of which contain Copper. All of these, when mixed with water, create Ionic Salts which can attack the surface and cause pitting, eventually leading to small holes appearing in the aluminium.

When using any metal based chemicals it is best to line any aluminium surface with polythene or to wash down thoroughly after each application. When using an unlined bench as a capillary bed with sand or matting, apply the chemicals away from the bed and drain well before replacing.

If you're in any doubt please check the manufacturers label as this will include a list of the contents.