

DELUXE UP-STAGING B1D(08)
Assembly Instructions

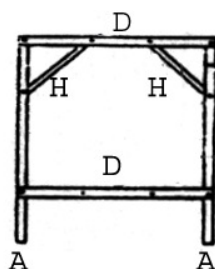
COMPONENTS

| Length | | | 1'11" | | 3'10" | | 5'9" | | 7'7" | | 9'6" | | 11'5" | |
|--------------------|-----------------------|-----------|-------|-----|-------|-----|------|-----|------|-----|------|-----|-------|-----|
| Tiers | S/T = Single | T/T = Two | S/T | T/T | S/T | T/T | S/T | T/T | S/T | T/T | S/T | T/T | S/T | T/T |
| A Corner Legs | 30" | | 4 | 4 | 4 | 4 | 4 | 4 | 4 | 4 | 4 | 4 | 4 | 4 |
| B L/H Mid Leg | 30" | | -- | -- | 1 | 1 | 2 | 2 | 3 | 3 | 4 | 4 | 5 | 5 |
| C R/H Mid Leg | 30" | | -- | -- | 1 | 1 | 2 | 2 | 3 | 3 | 4 | 4 | 5 | 5 |
| D Cross Angle | (Width of staging) | | 4 | 4 | 6 | 6 | 8 | 8 | 10 | 10 | 12 | 12 | 14 | 14 |
| F Long Sides | 3'10" | | -- | -- | 2 | 4 | 2 | 4 | 4 | 8 | 4 | 8 | 6 | 12 |
| G Long Sides | 1'11" | | 2 | 4 | -- | -- | 2 | 4 | -- | -- | 2 | 4 | -- | -- |
| H Tie Bars | 11" | | 8 | 8 | 14 | 14 | 20 | 20 | 26 | 26 | 32 | 32 | 38 | 38 |
| Bolts & Nuts Short | (3/8") | | 28 | 32 | 42 | 48 | 56 | 64 | 70 | 80 | 84 | 96 | 98 | 112 |
| Bolts & Nuts long | (1/2") | | -- | -- | 2 | 2 | 4 | 4 | 6 | 6 | 8 | 8 | 10 | 10 |
| Nut Caps | | | 28 | 32 | 44 | 50 | 60 | 68 | 76 | 86 | 92 | 104 | 108 | 122 |
| Edging Strip | | | 1 | 1 | 1 | 1 | 1 | 1 | 1 | 1 | 1 | 1 | 1 | 1 |
| Trays Top Tier | 22" x 17/21/24/29/34" | | 1 | 1 | 2 | 2 | 3 | 3 | 4 | 4 | 5 | 5 | 6 | 6 |
| Trays bottom tier | 22" x 14/18/21/26/31" | | -- | 1 | -- | 2 | -- | 3 | -- | 4 | -- | 5 | -- | 6 |

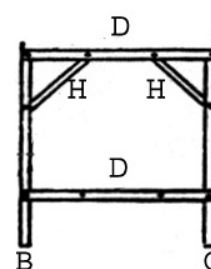
N.B Each staging length is made up using multiples of either 1'11" or 3'10" long sides. I.E. a 7'7" = 3'10" + 3'10", or a 9'6" = 3'10" + 3'10" + 1'11" etc.

Please check the components.

1. Assemble the upright end and mid sections as shown, finger tight only with bolt heads to the inside
2. Connect the long sides E or F to the top of each end section.
3. Add the mid sections if applicable. If the staging is above 3'10" in length the long sides are joined at this point together with the tie bars.
4. For two tier models fix the remaining long sides E or F at the lower level (to the cross angles).
5. Square up and tighten all nuts and Bolts.
6. Position the Trays.
7. Push on nut caps.



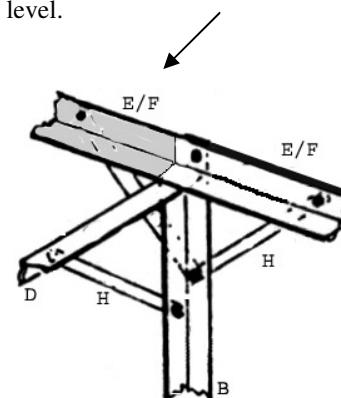
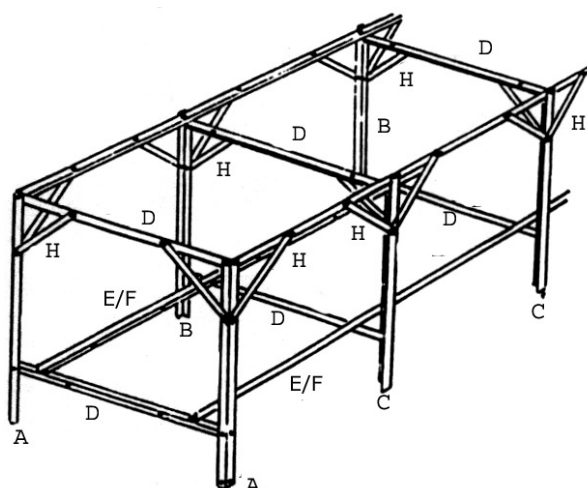
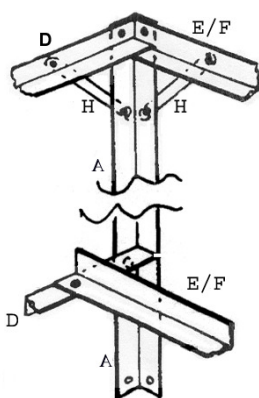
END SECTION



MID SECTION

Overlap the ends of the long sides to make up full length of staging

The illustration below shows a two tier model - a single tier mode has no long sides E or F at the lower level.



Long Term Care of Aluminium Benches & Shelves.

Prolonged contact with chemicals containing metal compounds can cause aluminium to corrode (an electrolytic reaction occurs). Typical of these are Cheshunt Compound and Bordeaux mixture both of which contain copper. All chemicals should list their contents and most are metal free. When using these metallic chemicals it is best to line any aluminium surface with polythene, if not wash down well after the application. When growing on a capillary bed (sand, gravel or matting) which is not lined with polythene, apply chemicals to plants away from the bed and drain thoroughly before replacing.