

Orchid Growers Staging B12 (11)



Please check and identify all the components before assembly.

Description	Qty Single Tier	Qty Two Tier
A. Long Sides	x 2	x 4
B. Corner Legs	x 4	x 4
C. Left Mid Leg	x 1	x 1
D. Right Mid Leg	x 1	x 1
E. Cross Angles	x 6	x 6
F. Cross Bar	x 4	x 4
G. Cross Bar Hanger	x 8	x 8
H. Tie Bar	x 12	x 12
I. 1/2" Bolts	x 18	x 18
J. 3/8" Bolts	x 30	x 36
K. Nuts	x 48	x 54
Slats 24 1/2"	x 12	x 12
Lower Tray 21 1/2" x 23"	-	x 2
Plastic Reservoir Tray	x 1	x 1

1. Assemble the two end sections and the one mid section, finger tight only, as shown on sheet "3 of 3" using components "B", "C", "D", "E" & "F".

2. Connect the two end sections together by joining them with the long sides "A".

3. Insert the mid section under the Long Sides and bolt to the central holes again finger tight only.

4. Bolt the remaining eight Tie Bars "H" down the sides of the staging.

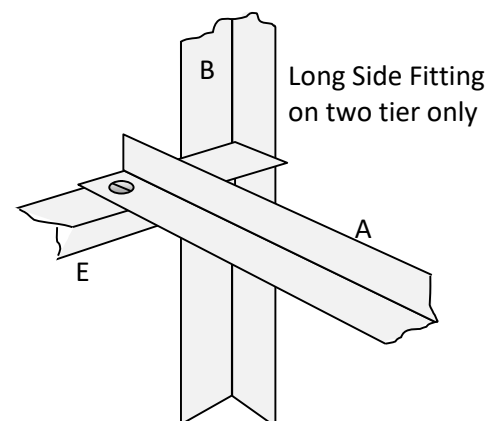
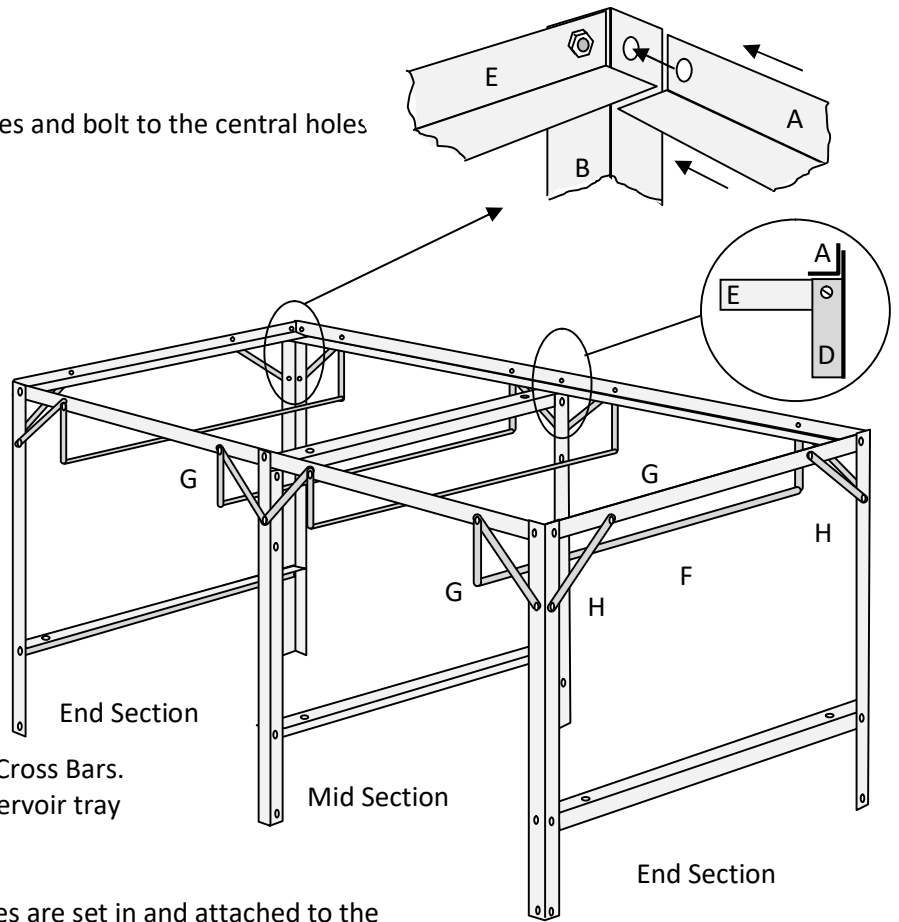
5. Where the Tie Bars attach to the Long Sides also attach the eight Hangers "G" Using the longer 1/2" bolts. The 1" fold at the bottom needs to face inwards.

6. Now join the opposing hangers using the Cross Bars. This provides the support for the lower reservoir tray and the heated tray if it's being fitted.

7. On the Two Tier model the lower long sides are set in and attached to the lower cross angles.

8. Once all the components are in position square up the whole framework and tighten fully.

9. From one end, slide the reservoir tray and allow it to rest on the cross bars. Apply the self adhesive anti slip strip to the inside surface of the long sides and position the slats with a gap of approximately 2" between each one

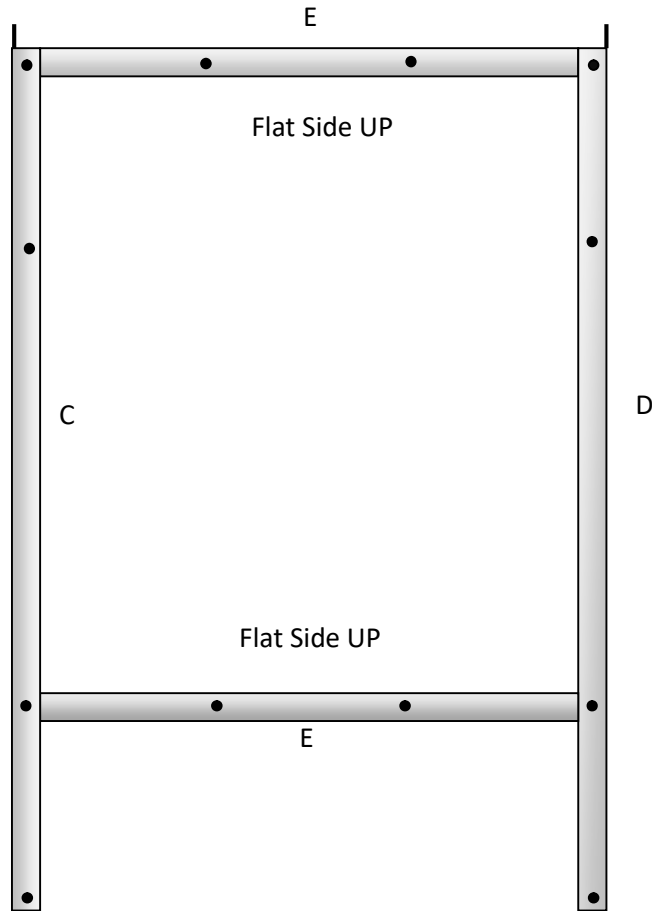


Orchid Growers Staging

B12 a (11)

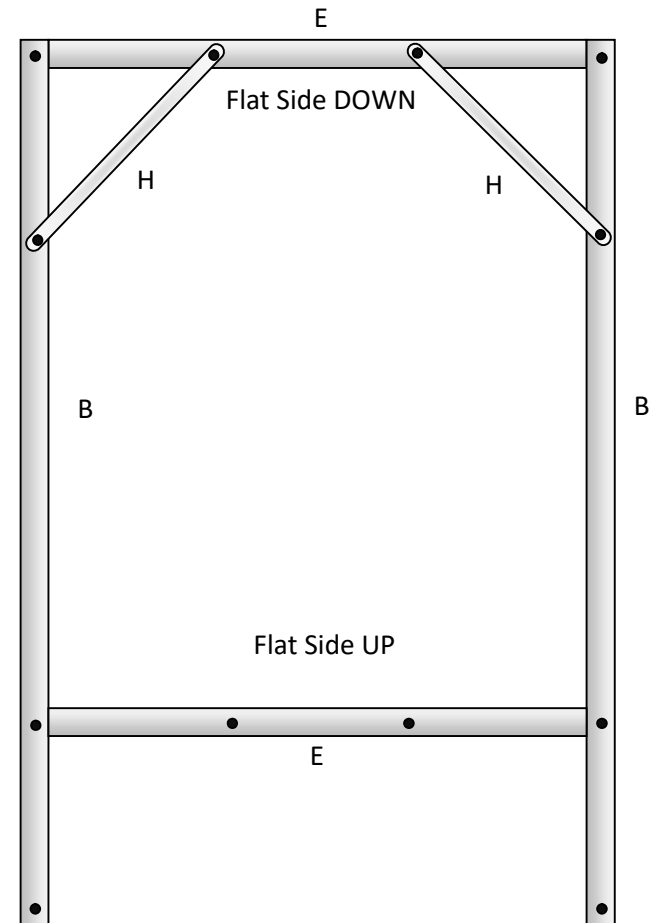


Mid Section



x 1

End Section



x 2

Assemble finger tight only using the shorter $\frac{3}{8}$ " bolts

Orchid Growers Staging Component Identification

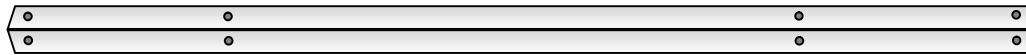
B12 b (11)



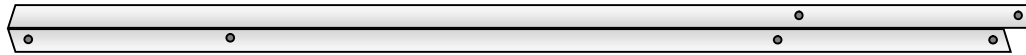
A - Long Side 47 ½" (1206mm)



B - 30" Corner Leg (759mm)



C - 30" Left Mid - Leg (759mm)



D - 30" Right Mid - Leg (759mm)



E - 24 ¾" Cross Angle (628mm)



F - 24" Cross Bar (610mm)



G - Hanger 7 ½" (190mm)



H - Tie Bar 11" (280mm)

