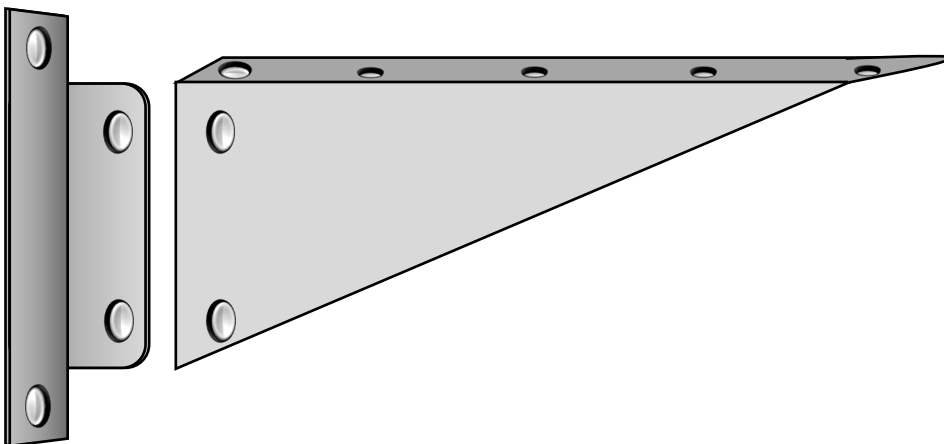


Wall Mounted Modular Shelf Brackets

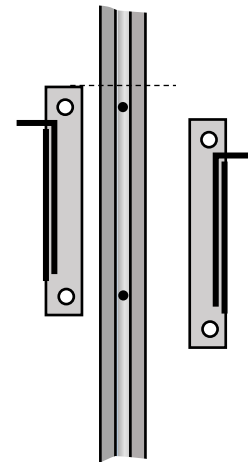
Assembly Instructions

Components	Per pair	Pack of Three
Angle Fixing Bracket	2	6
Bracket Plate (left & right)	1/1	3/3
Cropped Head Bolts	4	12
Round Head Bolts	4	12
Nuts	8	24

- Using the round headed bolts and nuts, attach the Bracket Plates to the inside of the Fixing Brackets so that you have an equal number of left and right.



Once assembled decide at what height you wish to set the shelves and mark the glazing bar using a pen or scribe.



Insert two of the cropped bolts into the fixing bracket and offer up to the glazing bar of the greenhouse, level with your mark. Turn the bolts until they lock in the glazing channel and secure with the nuts.

If you are fitting multiple shelves to run side by side, place a second bracket over the first before securing with the nuts.