

HANGING SHELVES A2(01)
Assembly Instructions



COMPONENTS PER PAIR

	34"	58"
Bracket A	4	6
Bracket B	4	6
Shelf Strap C	4	6
Bolts D	10	14
Bolts E	8	12
Nuts	18	26
Trays	2	2

FIXING INSTRUCTIONS

BRACKETS

Assemble as shown in the diagram using the bolts E for fixing into aluminium glazing bars.

Using the slots adjust the shelf strap C so that the shelf will be level.

TRAYS

Rest the aluminium trays on the brackets either way up - to give you gravel trays or a flat surface.

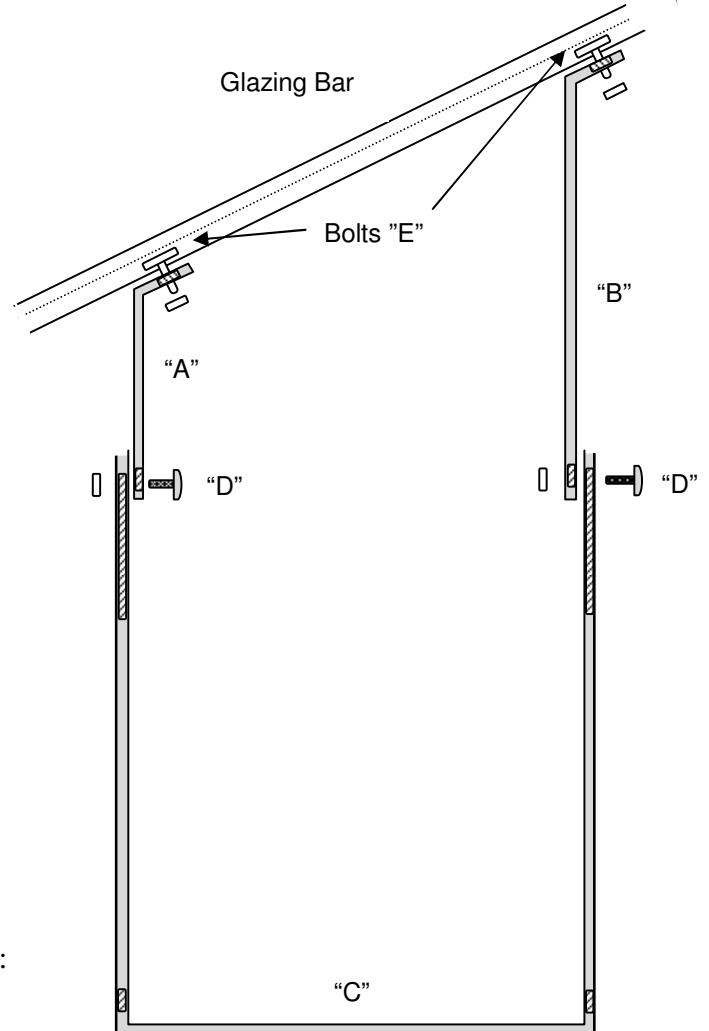
IDEAS ON FIXING

The shelves may be fitted in either of three ways:

1. **Singly** - using 2/3 brackets per shelf.
2. **One under the other** - by attaching the second shelf strap C to the bottom of the first (one of each brackets A & B will not be needed).
3. **One long shelf** - bolt the trays together and support on either 3/5 or 4/6 brackets depending on the spacing of your glazing bars.
- 4.

Long Term Care of Aluminium Benches & Shelves.

Prolonged contact with chemicals containing metal compounds can cause aluminium to corrode (an electrolytic reaction occurs). Typical of these are Cheshunt Compound and Bordeaux mixture both of which contain copper. All chemicals should list their contents and most are metal free. When using these metallic chemicals it is best to line any aluminium surface with polythene, if not wash down well after the application. When growing on a capillary bed sand, gravel or matting) which is not lined with polythene, apply chemicals to plants away from the bed and drain thoroughly before replacing.



TWO WESTS & ELLIOTT LTD

4, Carrwood Road, Chesterfield, Derbyshire, S41 9RH. Tel: (01246) 451077