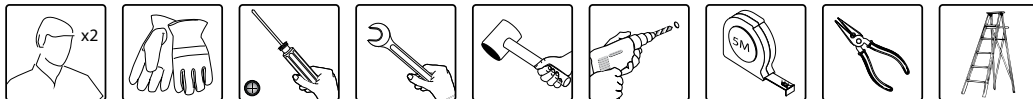
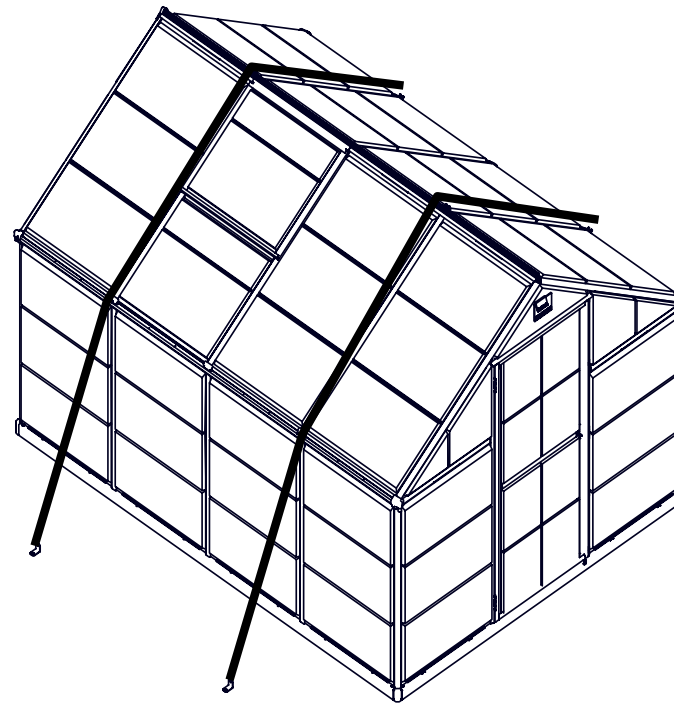
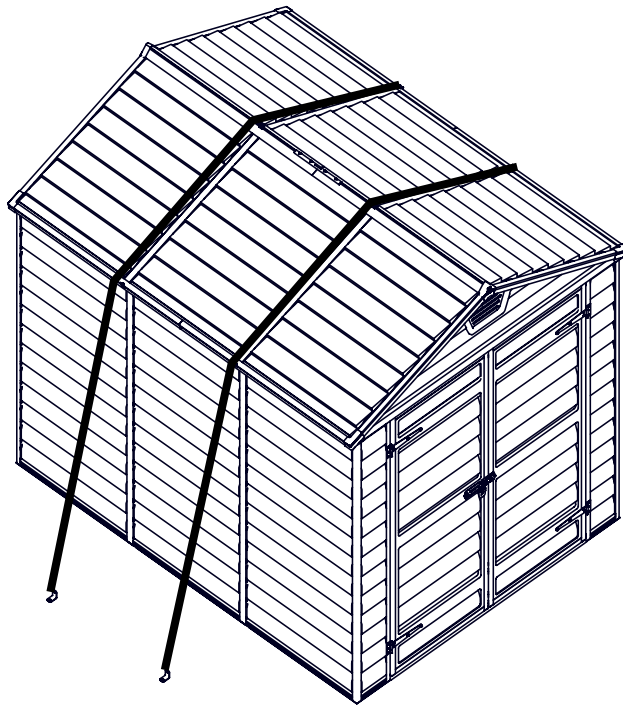


Anchoring Kit

Suitable for:

Harmony, Hybrid, Mythos, Octave, Balance, Essence
SkyLight Shed 6' & 8' Series





WE ARE HERE TO HELP

Contact us on our website :



SCAN ME

Customer Support

bit.ly/3kY07dP



SCAN ME

Parts Request

bit.ly/3js7yZi



SCAN ME

Assembly Assistance

bit.ly/3kqqFEc

ARGENTINA - GREECE - GREENLAND - ICELAND - ESTONIA - HUNGARY - JAPAN - LATVIA - LITHUANIA - MAURITIUS - MEXICO - ROMANIA - RUSSIA - TURKEY - UZBEKISTAN - UKRAINE - SWAZILAND

+972-4-848-6816

customer.service@palram.com

BELGIUM - ITALY - NETHERLANDS - PORTUGAL - SPAIN

04-848-6816

info.il@palram.co.il

ISRAEL

04-848-6816

info.il@palram.co.il

GERMANY

+49-180-522-8778

customer.serviceDE@palram.com

SWEDEN

+972-4-848-6816

customer.service@palram.com

FRANCE

0169-791-094

customer.serviceFR@palram.com

AUSTRIA - LUXEMBURG - LIECHTENSTEIN

+49-180-522-8778

customer.serviceDE@palram.com

USA

877-627-8476

hobbyservice@poly-tex.com

IRELAND - UNITED KINGDOM

01302-380775

customer.serviceUK@palram.com

NORWAY

+972-4-848-6816

customer.service@palram.com

CANADA

905-5646007

sales@footprintproducts.com

IMPORTANT

Please read these instructions carefully before you start to assemble this product .
Please carry out the steps in the order set out in these instructions.
Keep these instructions in a safe place for future reference.

Safety Advice

- For safety purposes we strongly recommend the product to be assembled by at least two people.
- Some parts may have sharp edges. Please be careful when handling components. Always wear gloves, eye protection, and long sleeves when assembling or performing any maintenance on your product.
- Do not attempt to assemble the product in windy or wet conditions.
- Do not attempt to assemble the product if you are tired, have taken drugs, medications or alcohol, or if you are prone to dizzy spells.
- Dispose of all plastic bags safely – keep them away from children's reach.
- Keep children away from the assembly area.
- When using a stepladder or power tools, make sure that you are following the manufacturer's safety advice.
- Keep roof and gutters clear of snow, dirt & leaves.
- Heavy snow load on the roof can make it unsafe to stand below or nearby.
- Do not lean against or push the product during construction.
- Hot items such as recently used grills, blowtorches etc. must not be stored inside the product.
- Heavy or sharp articles should not be leaned against the wall panels.
- Make Sure there are no hidden pipes or cables in the ground before inserting the pegs (not supplied)
- Do not touch overhead power cables with the aluminum profiles.
- If color was scratched during assembly it can be fixed.
- **Note:** This product must be anchored on to a leveled surface and solid foundation to ensure its stability. Make sure that screws and anchors are compatible with foundation type. Make sure that there are no obstructions between the assembly area and the final position.

Before Assembly

- Choose your site carefully before beginning assembly.
- The ground surface must be perfectly flat and leveled.
- Choose a sunny area, away from overhanging trees.
- Do not position your product in an area exposed to excessive winds.
- The product must be positioned and fixed onto a flat leveled surface.
We strongly recommend to secure this product directly onto a solid foundation.
Use the pre-drilled holes in the steel base.
- Complete site preparation before unpacking parts and beginning assembly.
- Sort the parts and check against the content parts list.
- Parts should be laid out close at hand. Keep all small parts (screws etc.) in a bowl so they do not get lost.
- Please consult your local authorities if any permits are required prior to constructing the product.

During Assembly

When encountering the information icon, please refer to the relevant assembly step for additional comments and assistance.

**Steps**

Step 5: Cable should not be placed over the vent window, in order not to obstruct window's opening.

Step 6: Make sure you choose the compatible anchoring for your foundation / surface type, follow the suitable mounting procedure.

Option 1: Hard surfaces such as concrete or wood

Option 2: Ground surfaces such as grass, gravel or soil

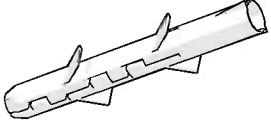

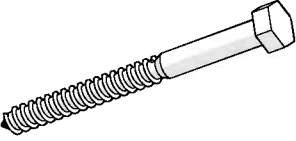
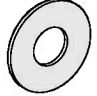
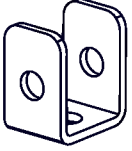
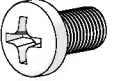


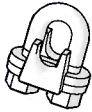

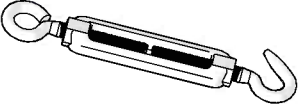

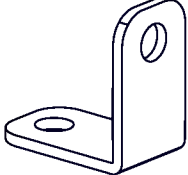

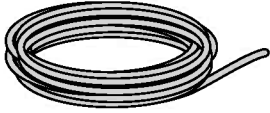
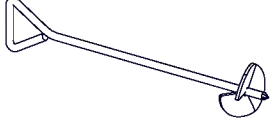
Step 8: After the product has been installed, tighten the cables by turning part #7332, and by cutting the cable to size.

* It is possible to cut the cable only after the tightening is done.

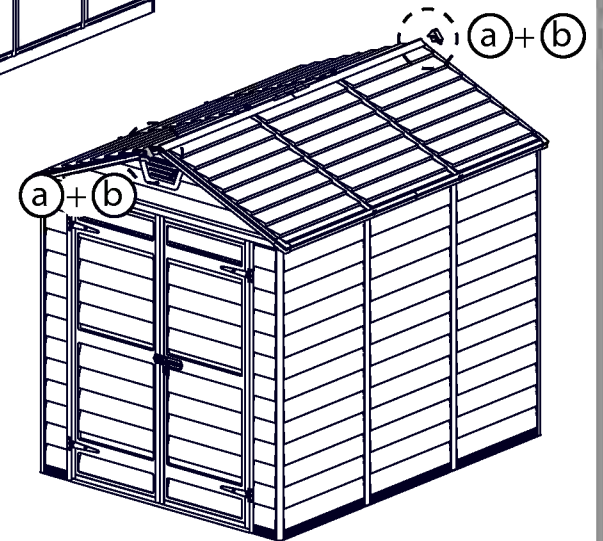
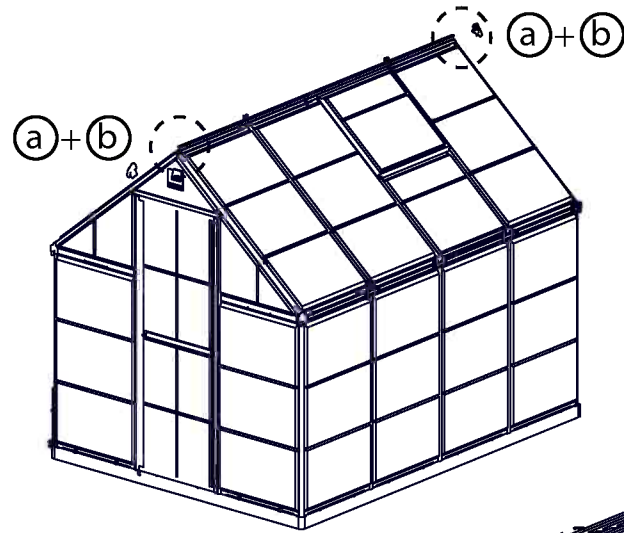
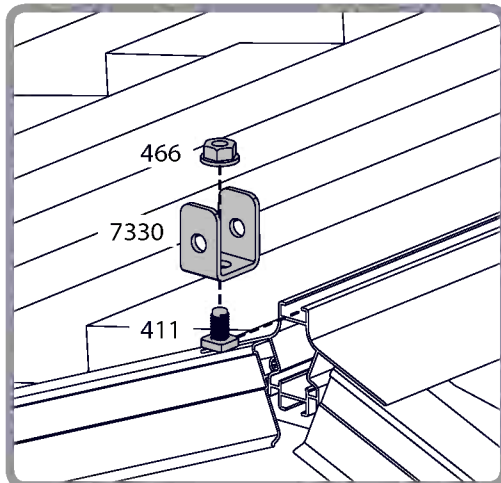
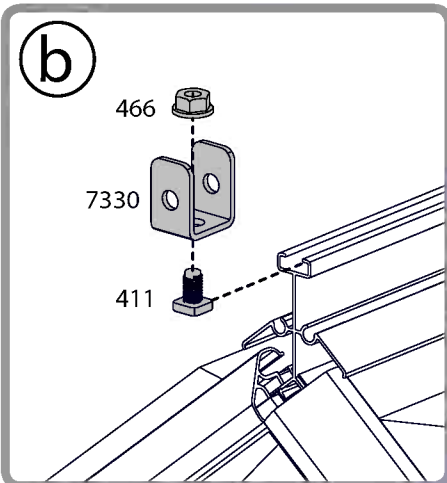
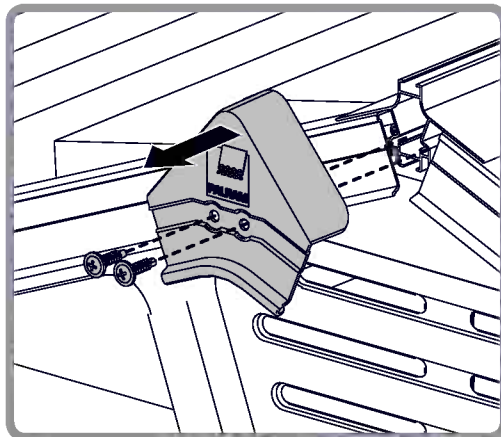
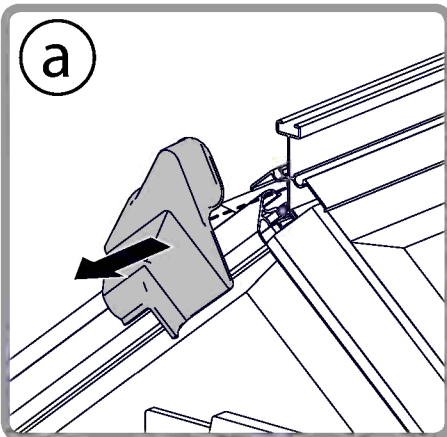
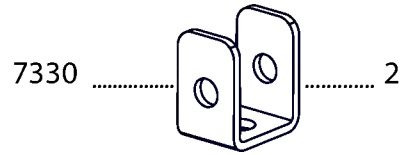
* Please tighten all screws when completing assembly.

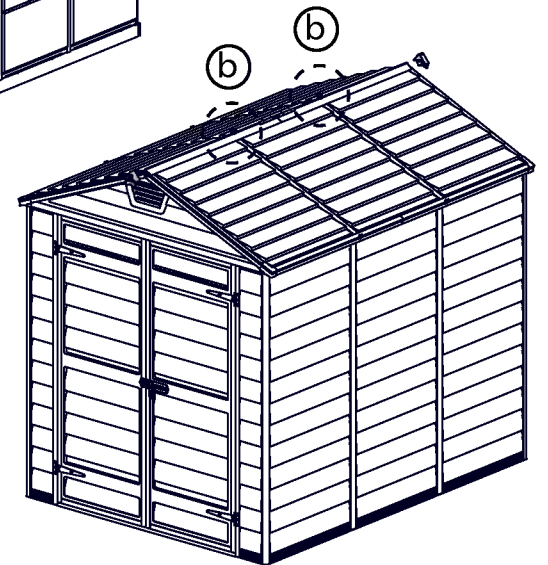
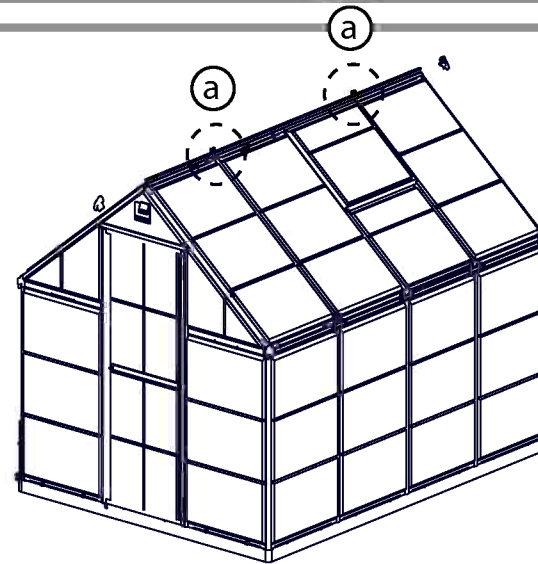
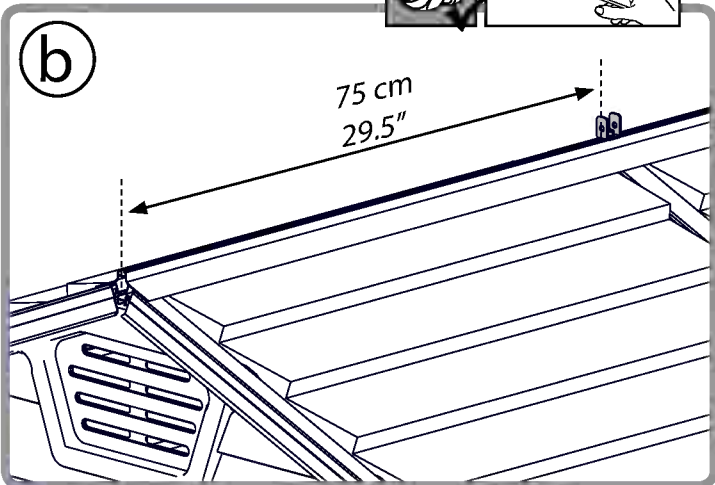
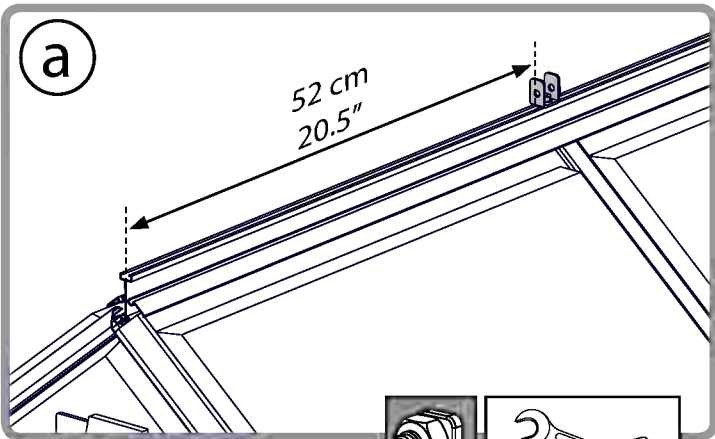
Note: Firmly connect the product to a level surface immediately after completion of the assembly.
Anchoring this product to the ground is essential to its stability and rigidity. It is required to complete this stage in order for your warranty to be valid.

Contents

Item		Qty.	Item		Qty.
4010		4	414		2
4000		4	433		6
7330		2	7283		2
9235		4	4008		4
7333		4	466		4
7332		2	411		2
7331		4	7284		2
			7327		2
			7336		4

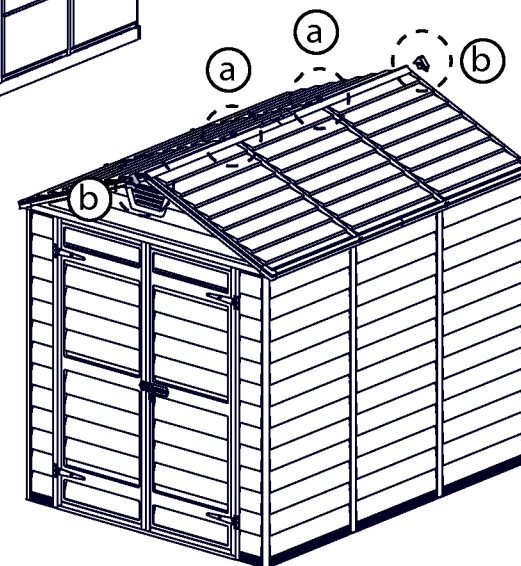
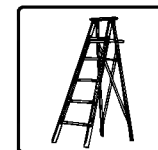
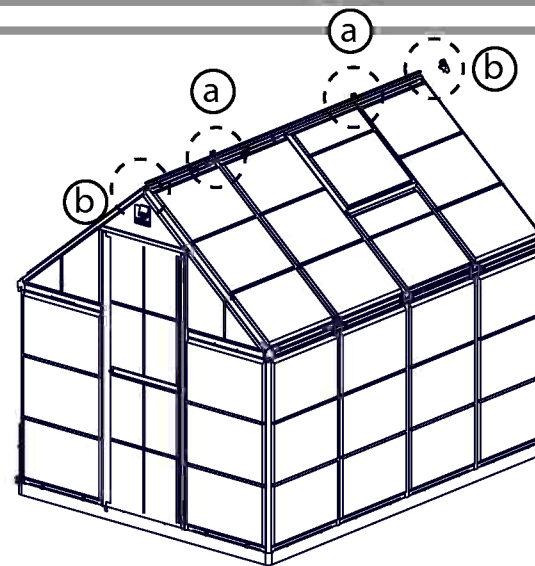
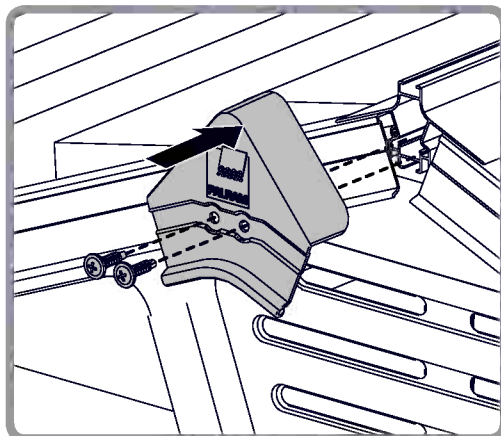
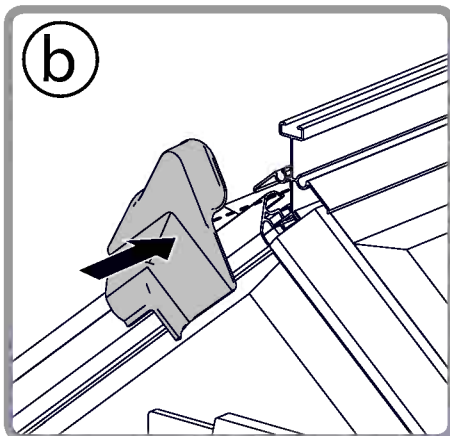
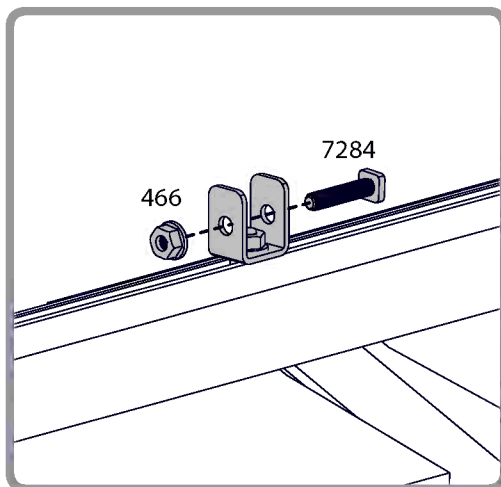
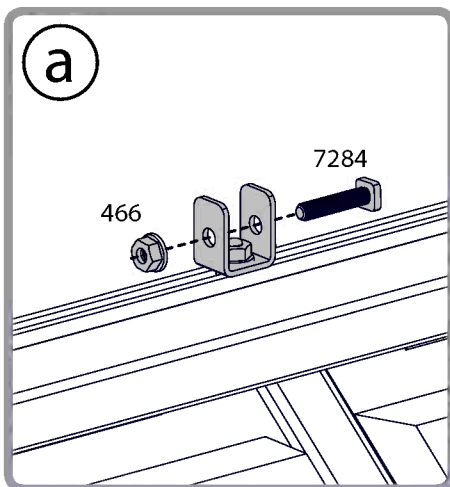
1

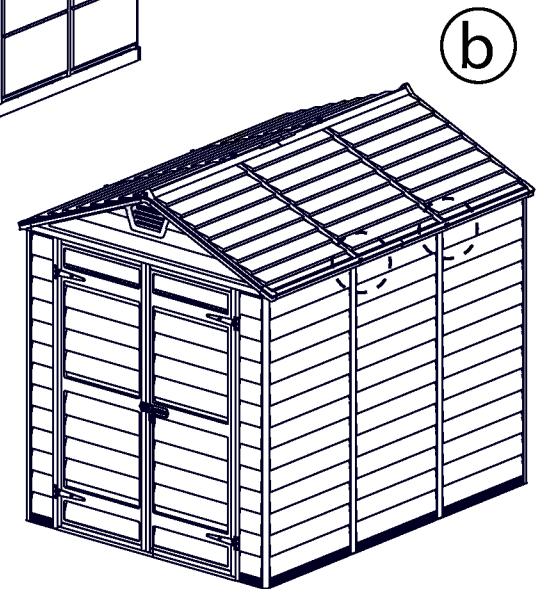
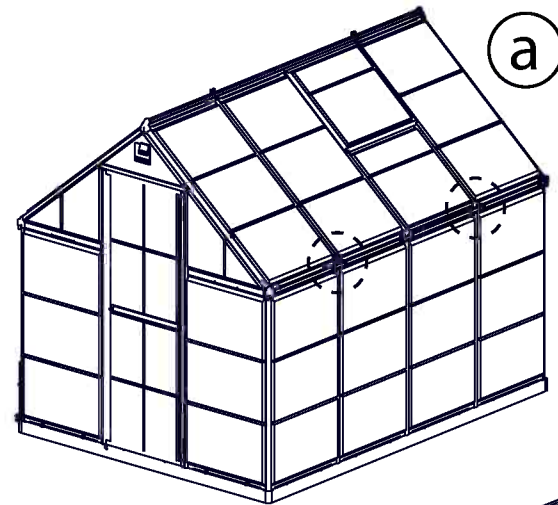
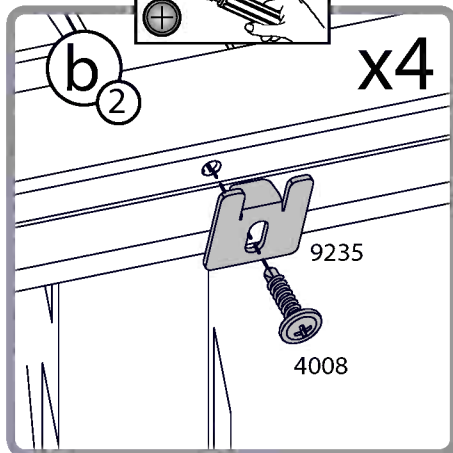
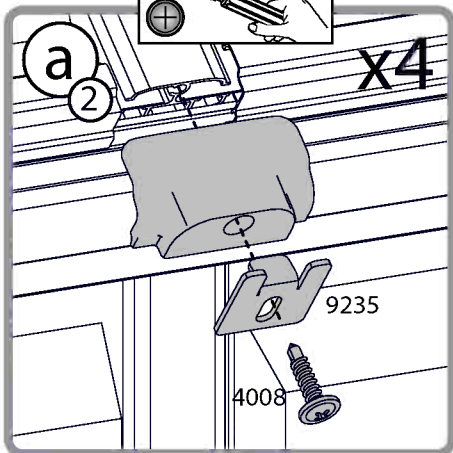
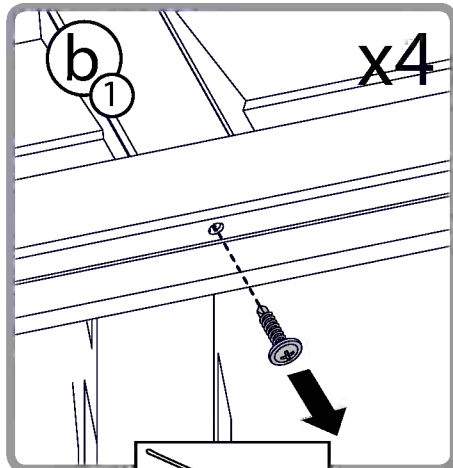
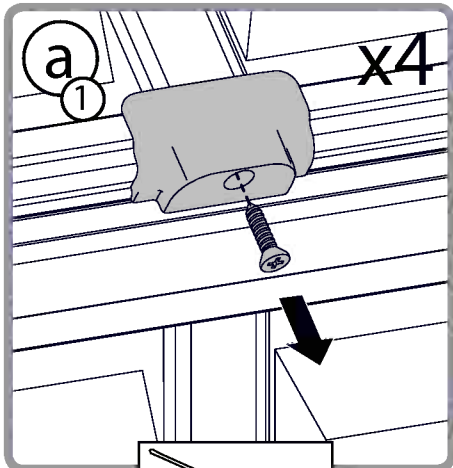
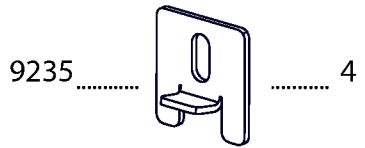


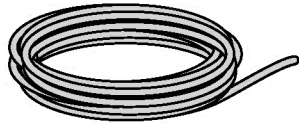


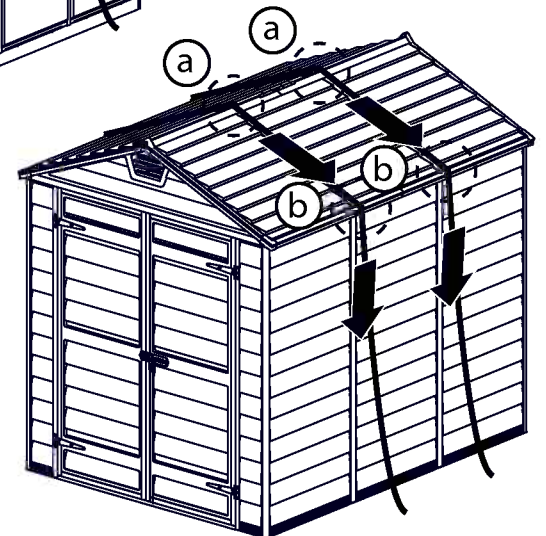
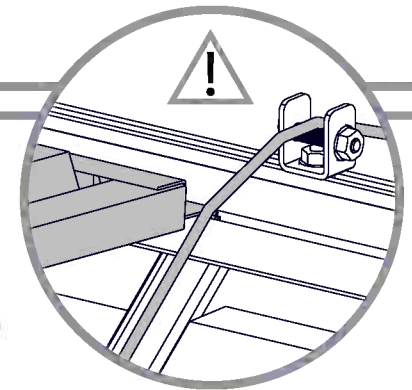
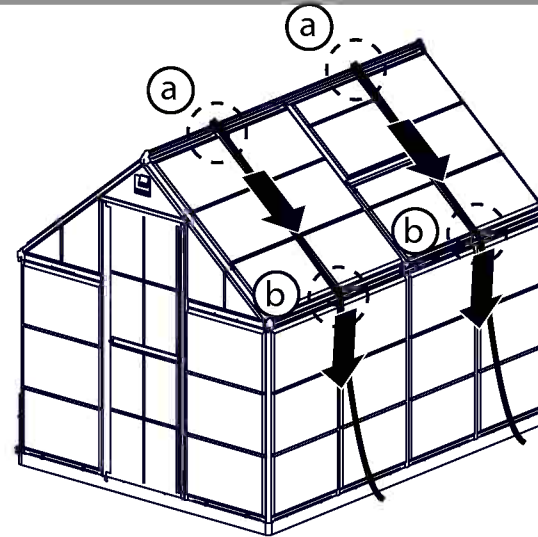
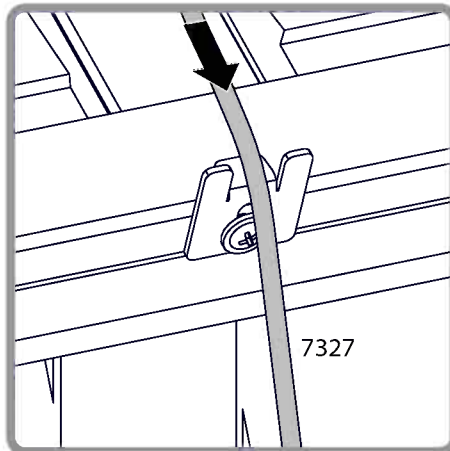
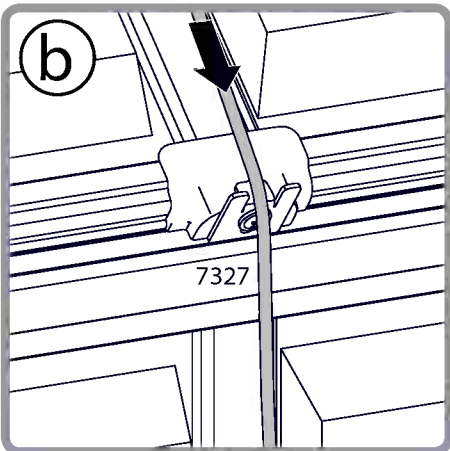
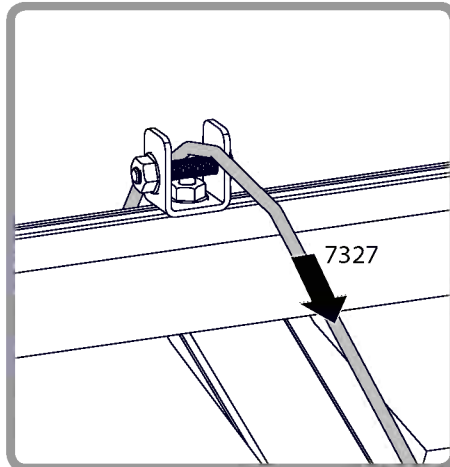
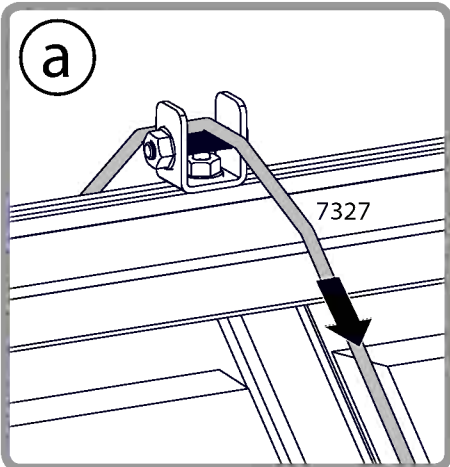
7284  2

466  2

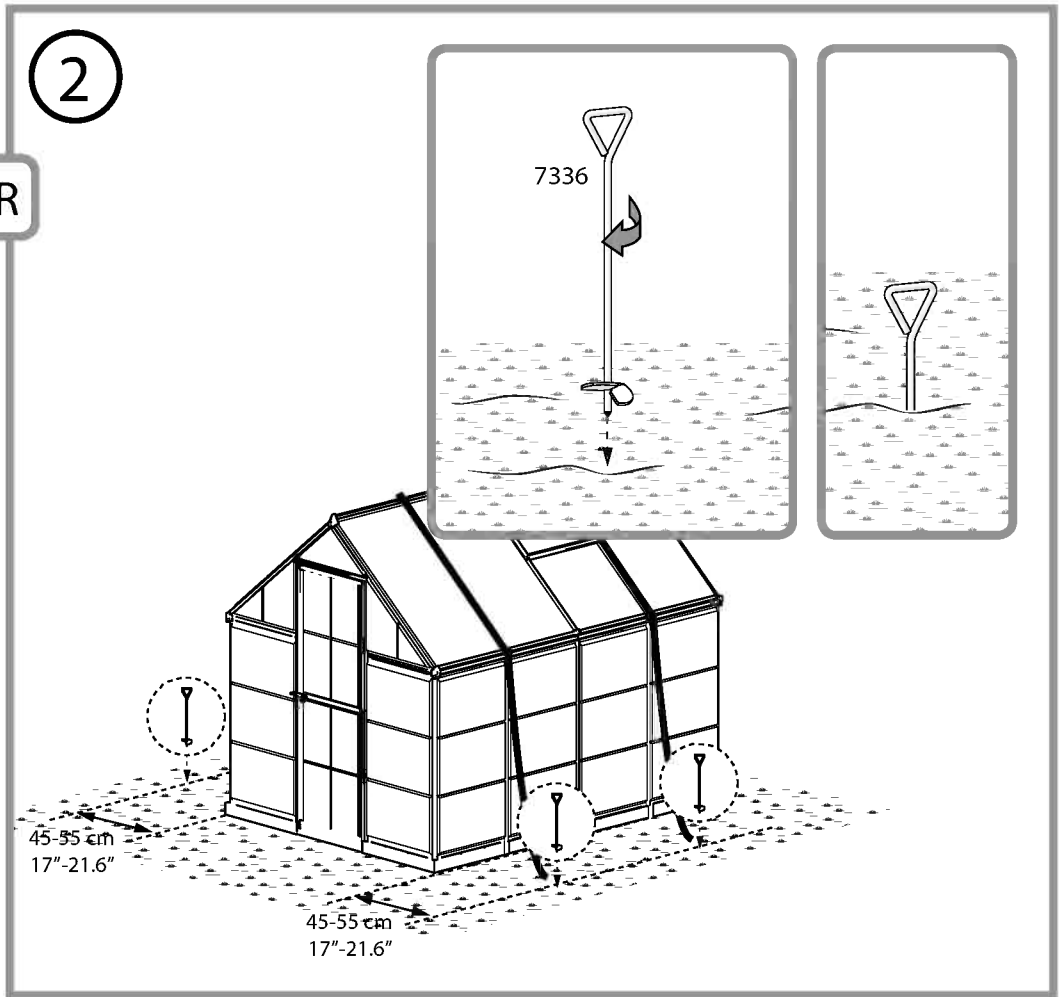
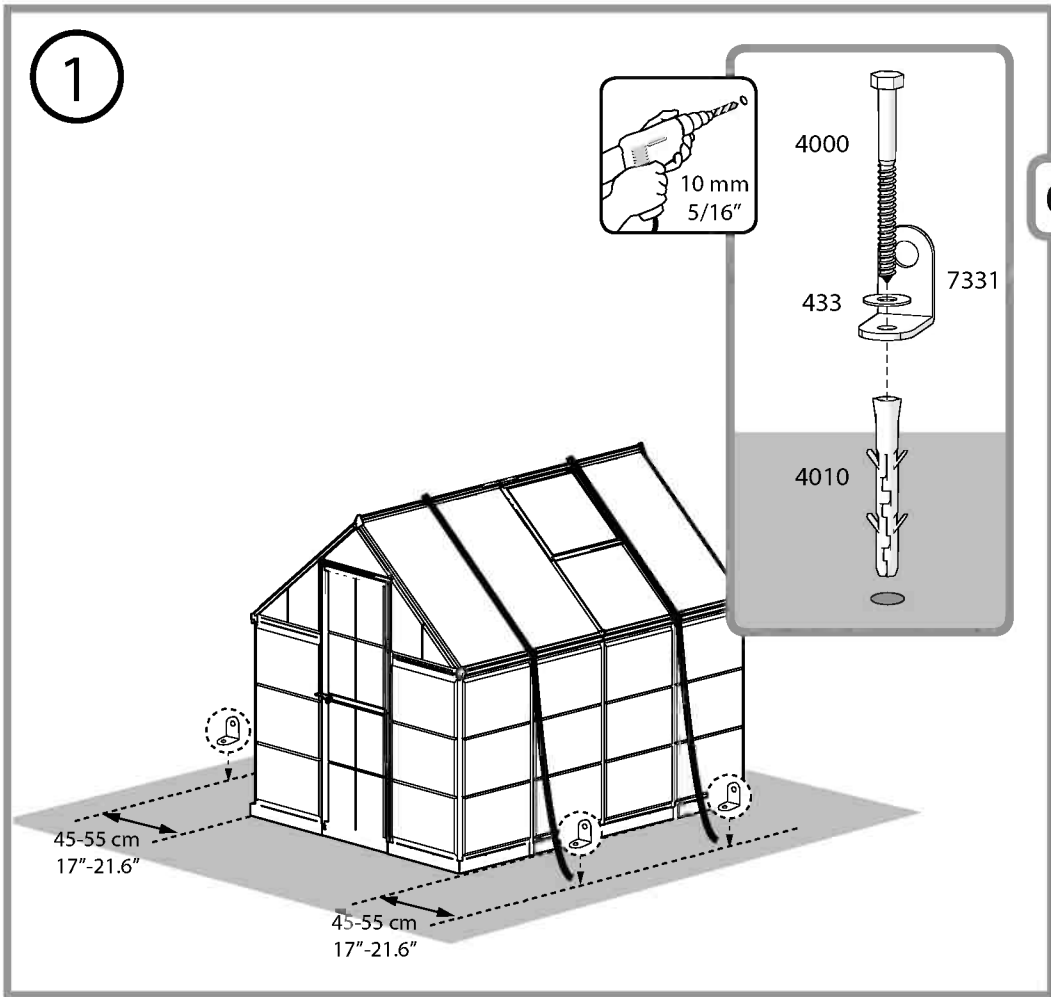
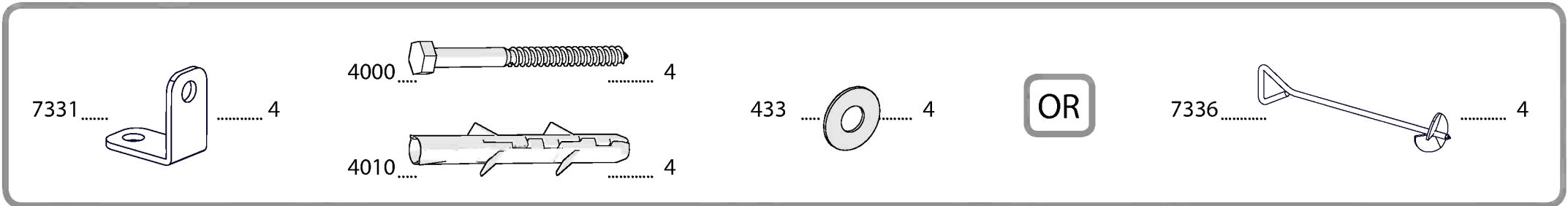




7327  2

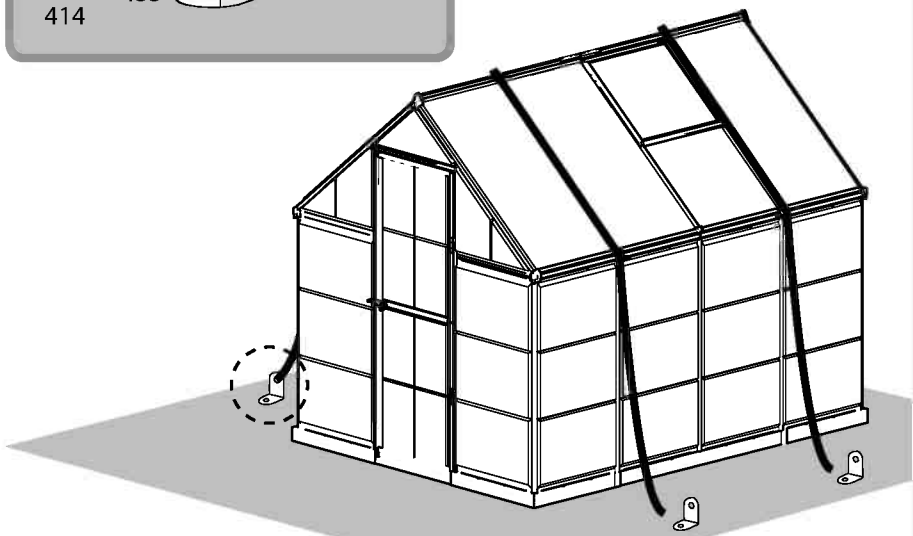
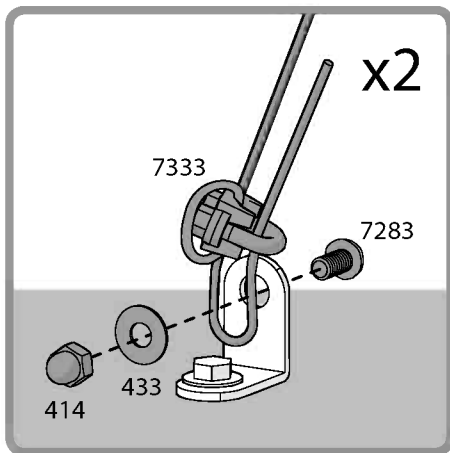


6 **i**



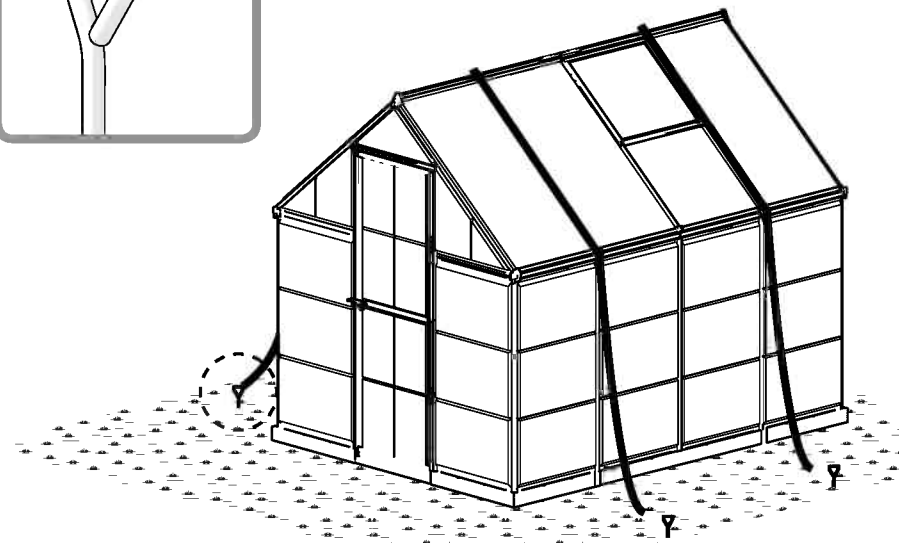
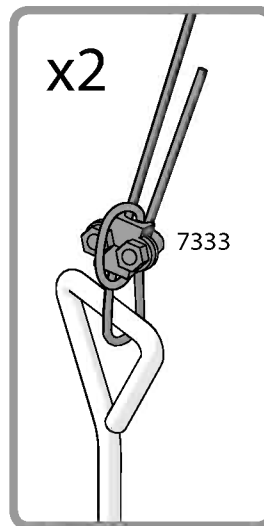
- 7333..... 2 7283..... 2 414 2 433 2

1



2

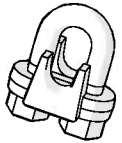
OR



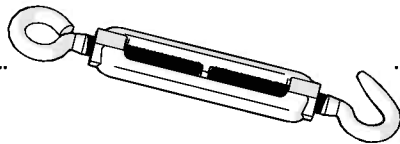
8



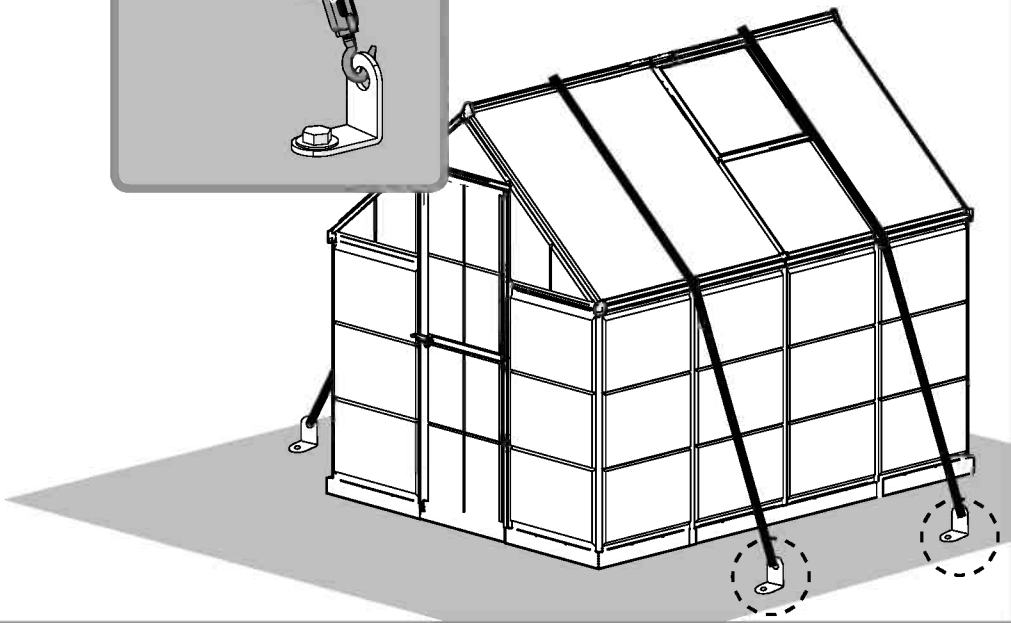
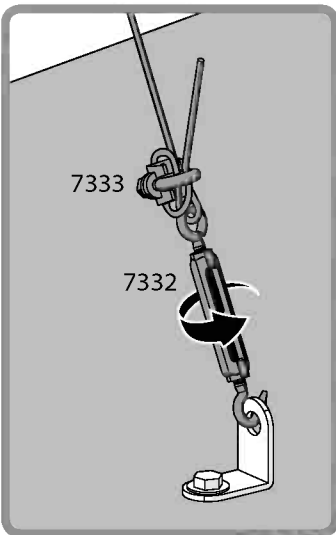
7333..... 2



7332..... 2



1



2

OR

