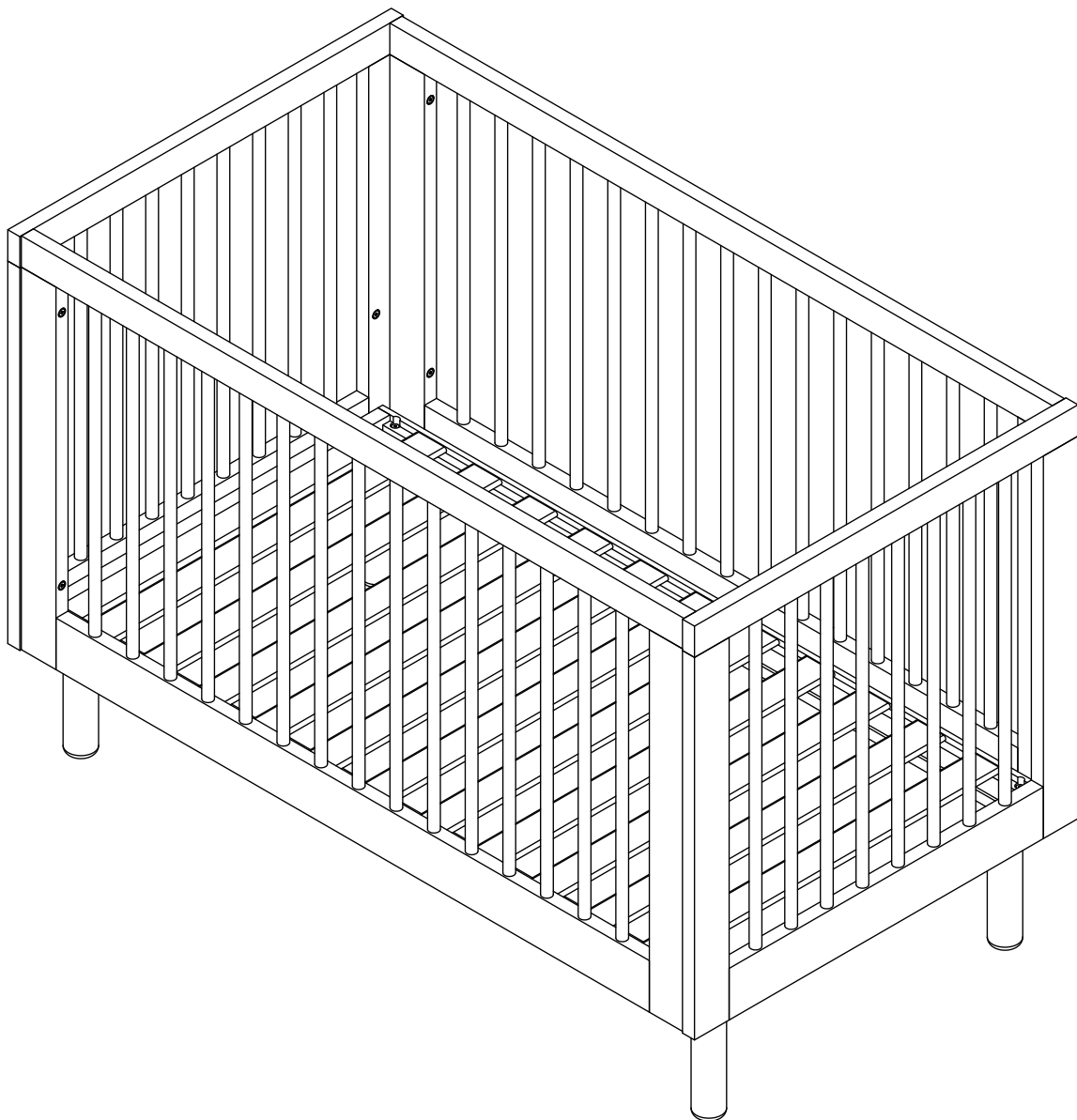


babyrest

TORQUAY BABY COT

FIXED SIDE

CONVERTIBLE COT
ASSEMBLY INSTRUCTION



- The manufacturer's assembly instructions must be followed in detail to ensure the safety features to the cot are not compromised
- To clean surface use only water on a damp cloth. Do not use window cleaners or cleaning abrasives as it will scratch the surface and could damage the protective coating.

WARNING!

READ ALL INSTRUCTION BEFORE ASSEMBLING CRIB. KEEP THE MANUAL FOR FUTURE USE.

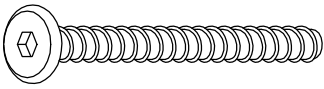


WARNING:(FALL HAZARD)

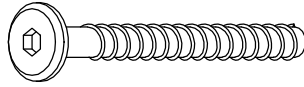
To prevent falls, the mattress base of this cot should be adjusted to the lowest position before the child can sit up.

- Keep the cot at a reasonable distance from curtains, blinds, heaters, and power points.
- Keep medication, string, elastic, small toys or small items, such as money, out of reach from any position in the cot.
- Do not use this if you cannot exactly follow the accompanying instruction.
- Infants can suffocate on soft bedding. Never add a pillow or comforter. Never place additional padding under an infant
- To reduce the risk of SIDS, paediatricians recommend healthy infants be placed on their backs to sleep, unless otherwise advised by your physician.
- Strangulation Hazard: Strings can cause strangulation! Do not place item with a string around a child's neck, such as hood strings or pacifier cords. Do not place cords, straps, or similar item that could become wound around the child's neck in or this crib. Do not suspend strings over a crib or attach strings to toys
- To help prevent strangulation tighten all fasteners. A child can trap parts of the body or clothing on loose fasteners.
- Do not placed this cot near a window where cords from blinds or drapes may strangle a child. Do not place this cot, besides do not place this cot near a window or a patio door where a child could reach the cord of a blind or curtain and be strangled.
- Do not use this crib if the child is able to climb out unaided or is taller than 89cm.
- Check this product for damaged hardware, loose joints, loose bolts or other fasteners, missing parts or sharp edges before and after assembly and frequently during use. Securely tighten loose bolts and other fasteners. Do Not substitute parts.
- Do not used water mattress with this crib.
- If refinishing, use a non-toxic finish specified for children's products.
- Never use plastic shipping bags or other films as mattress covers because they can cause suffocation.
- Infants can suffocate in gaps between crib sides when used with a mattress that is too small.
- Follow warning on all product in crib.
- Ensure that the sides are properly latched or locked in place when the crib is occupied.
- **RECOMMENDED MATTRESS SIZE** This cot has been manufactured for use with a mattress which measures 690mm wide by 1300mm long and 130mm in thickness. The width and length are specified because it is important that the gaps between the mattress and the sides and end of the cot will not exceed 40mm when the mattress is pushed to one side or end, and 20mm when the mattress is centred in the cot. The thickness of the mattress has been specified to ensure that the depth of the cot is greater than 500mm with the mattress base in the lower position to minimize the risk of child climbing or falling out the cot.

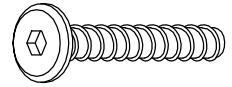
HARDWARE INVENTORY



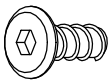
A 80MM ALLEN HEAD BOLT
- 82 MM
(12 PCS)



B 60MM ALLEN HEAD BOLT
- 62 MM
(4 PCS)



C 45MM ALLEN HEAD BOLT
- 47 MM
(8 PCS)



D 15MM ALLEN HEAD BOLT
- 17 MM
(4 PCS)

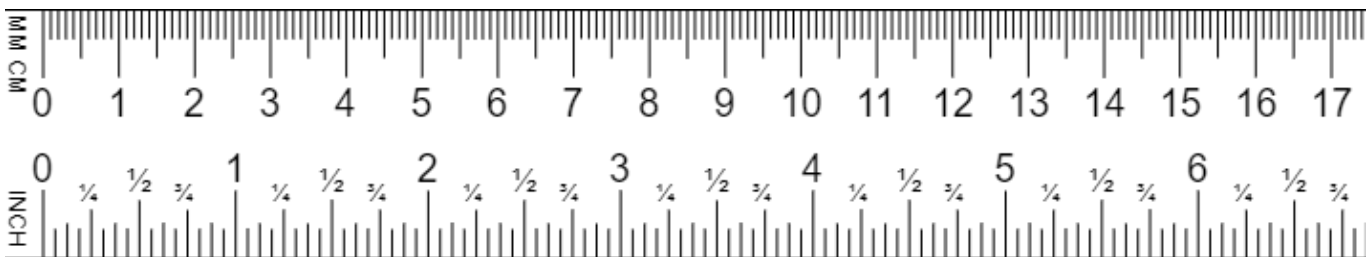


E MATTRESS PIN
- 56 MM
(4 PCS)



F ALLEN KEY
- 100 MM
(1 PC)

(!) Check hardware against ruler for correct screw. Example item C is 47 mm long.



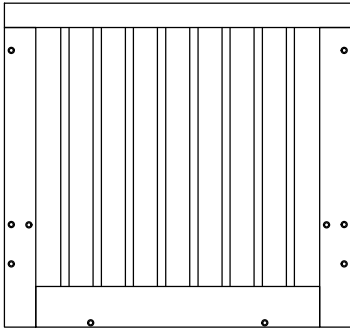
WARNING: Do not leave children unattended near furniture during installation. Small parts can cause suffocation.

Keep packaging and instructions in a safe place.

Do not overtighten screws.

PARTS LIST

BOX 1/2

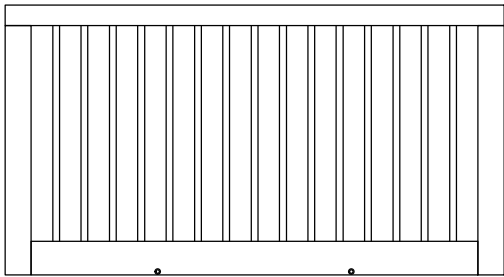


① COT END
(2 PCS)

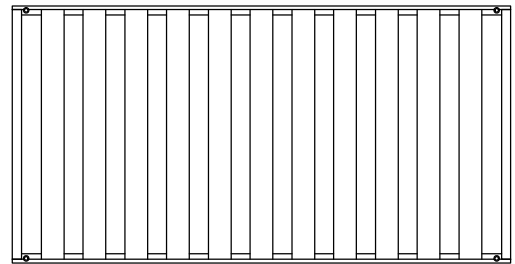


⑤ LEG
(4 PCS)

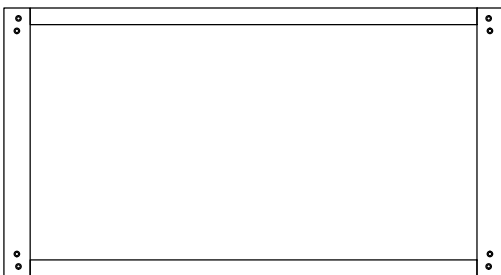
BOX 2/2



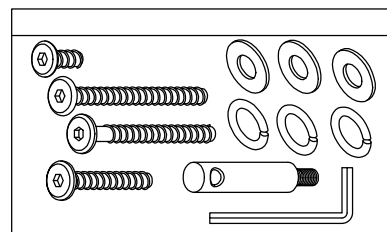
② COT SIDE RAIL
(2 PCS)



③ MATTRESS BASE
(1 PC)



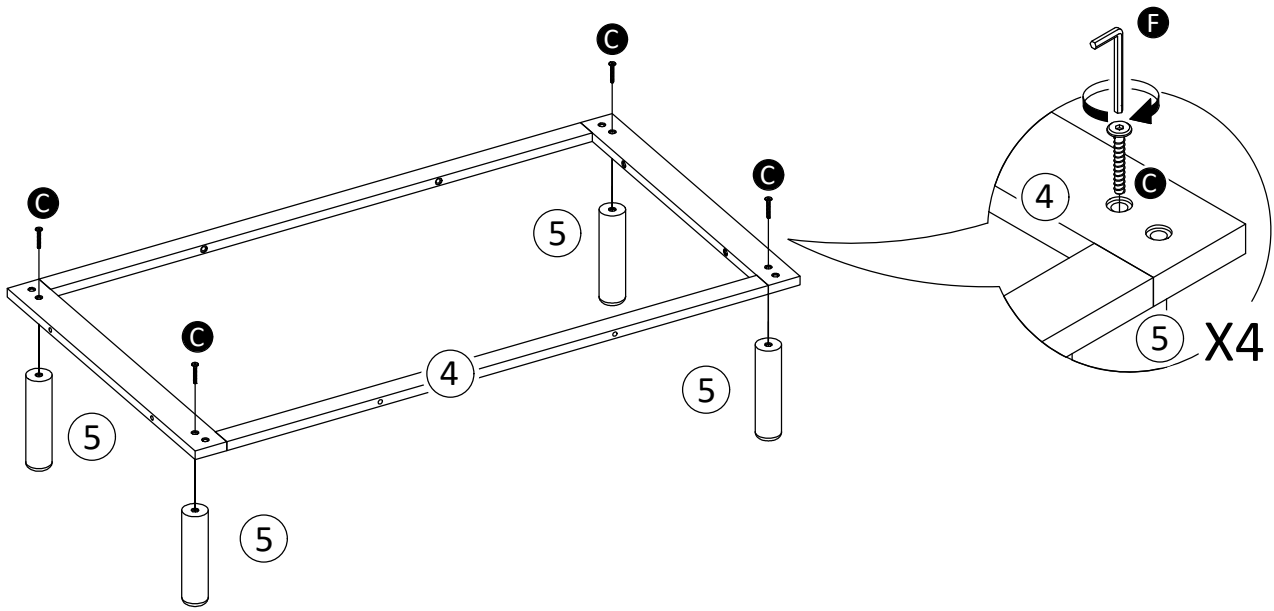
④ FRAME
(1 PC)



HARDWARE BAG
(1 PC)

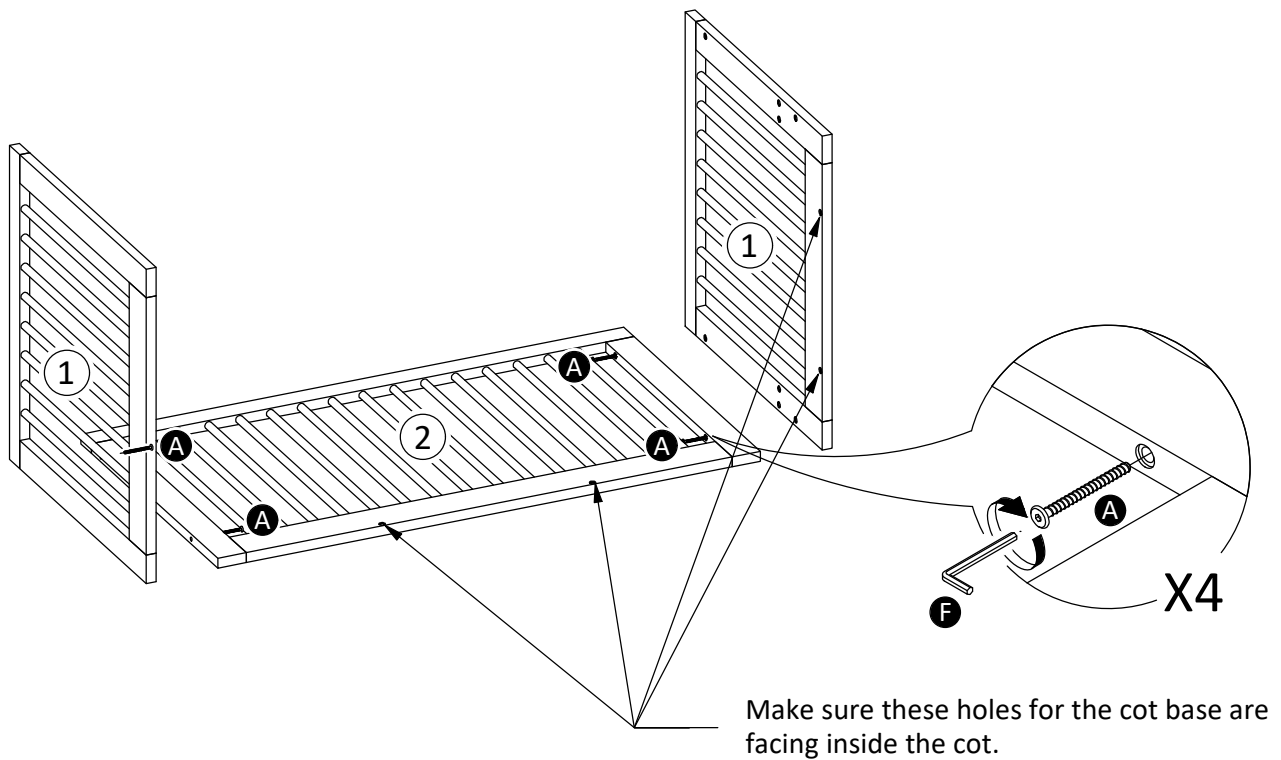
STEP 1

Frame base and feet assembly



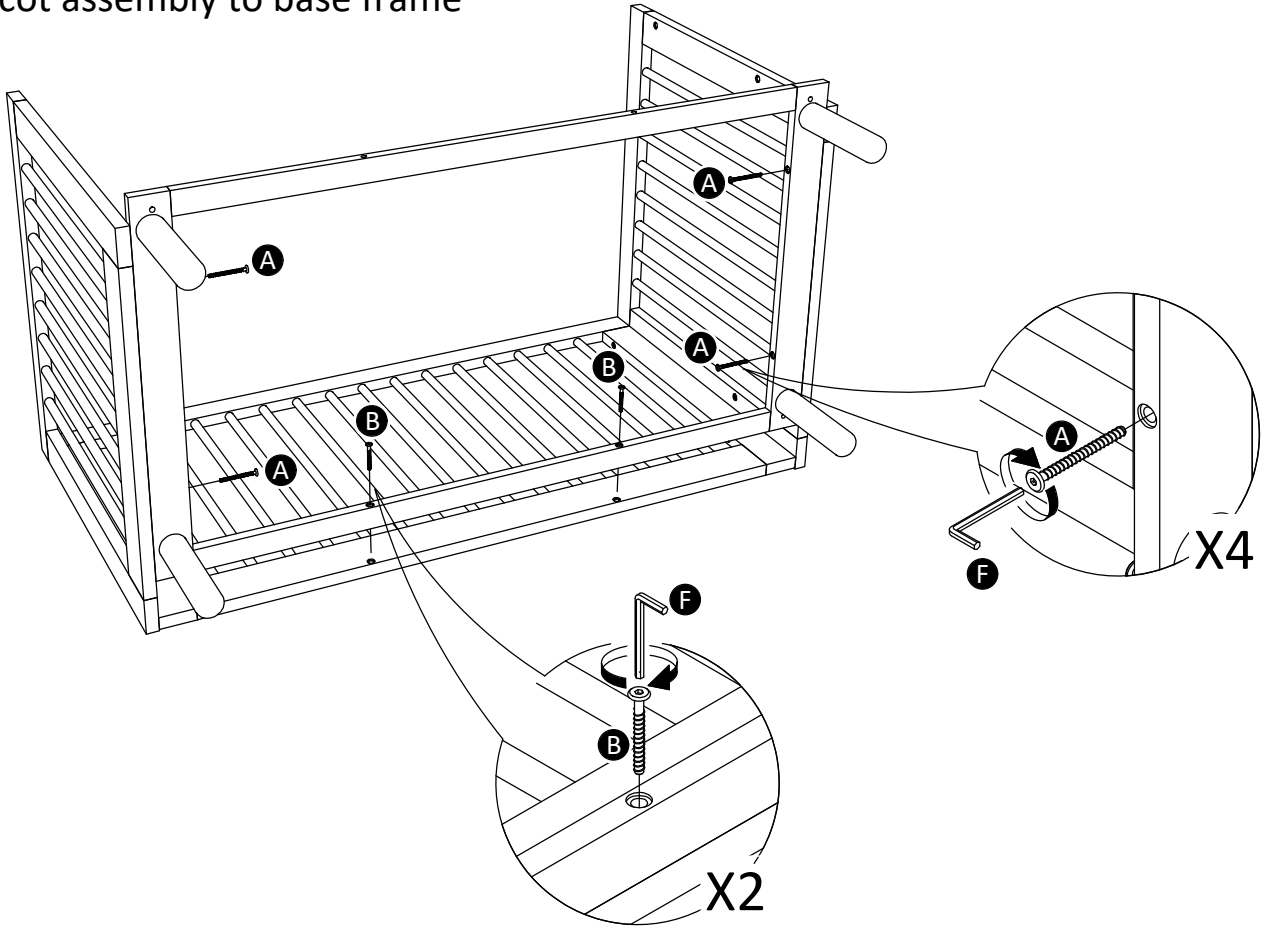
STEP 2

Attach ends "1" to side "2"



STEP 3

Attach cot assembly to base frame



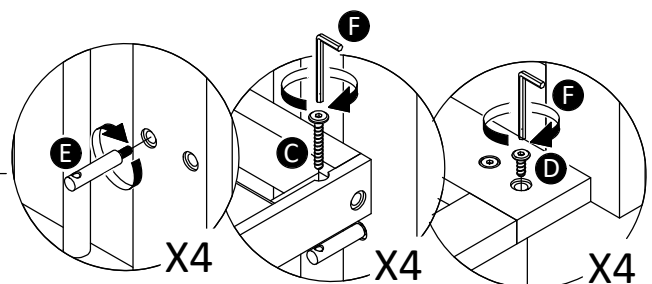
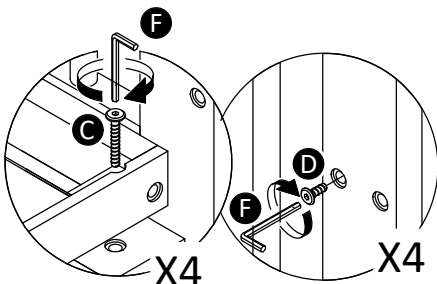
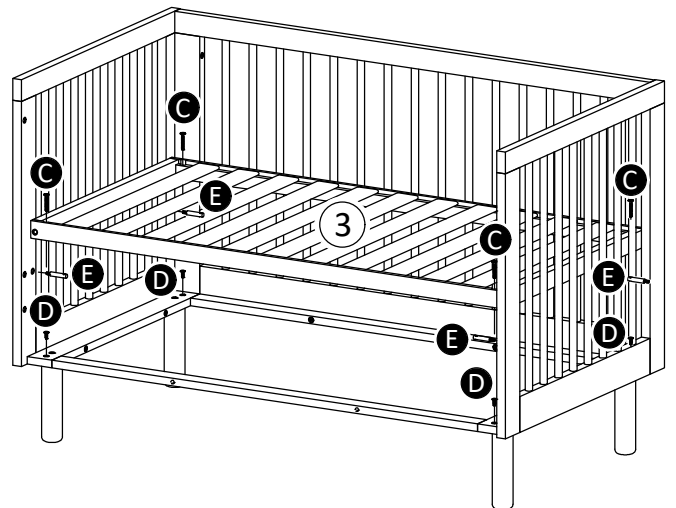
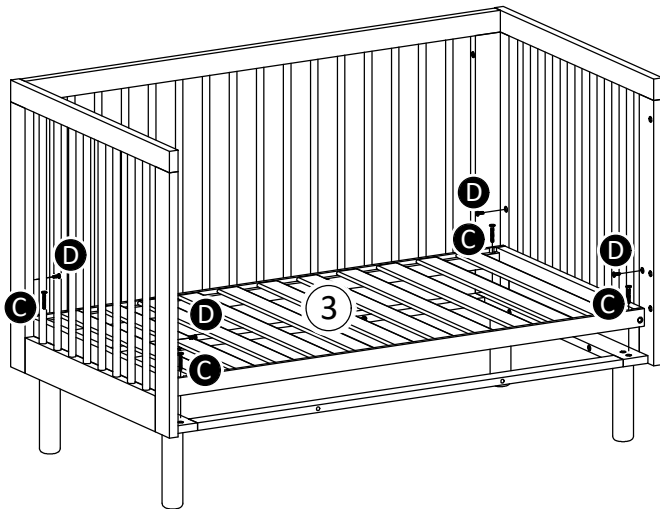
STEP 4

Choose mattress base position
Attach mattress base to cot assembly

!!Do Not Tighten ALLEN HEAD BOLTS C At This Stage!!

LOWEST POSITION

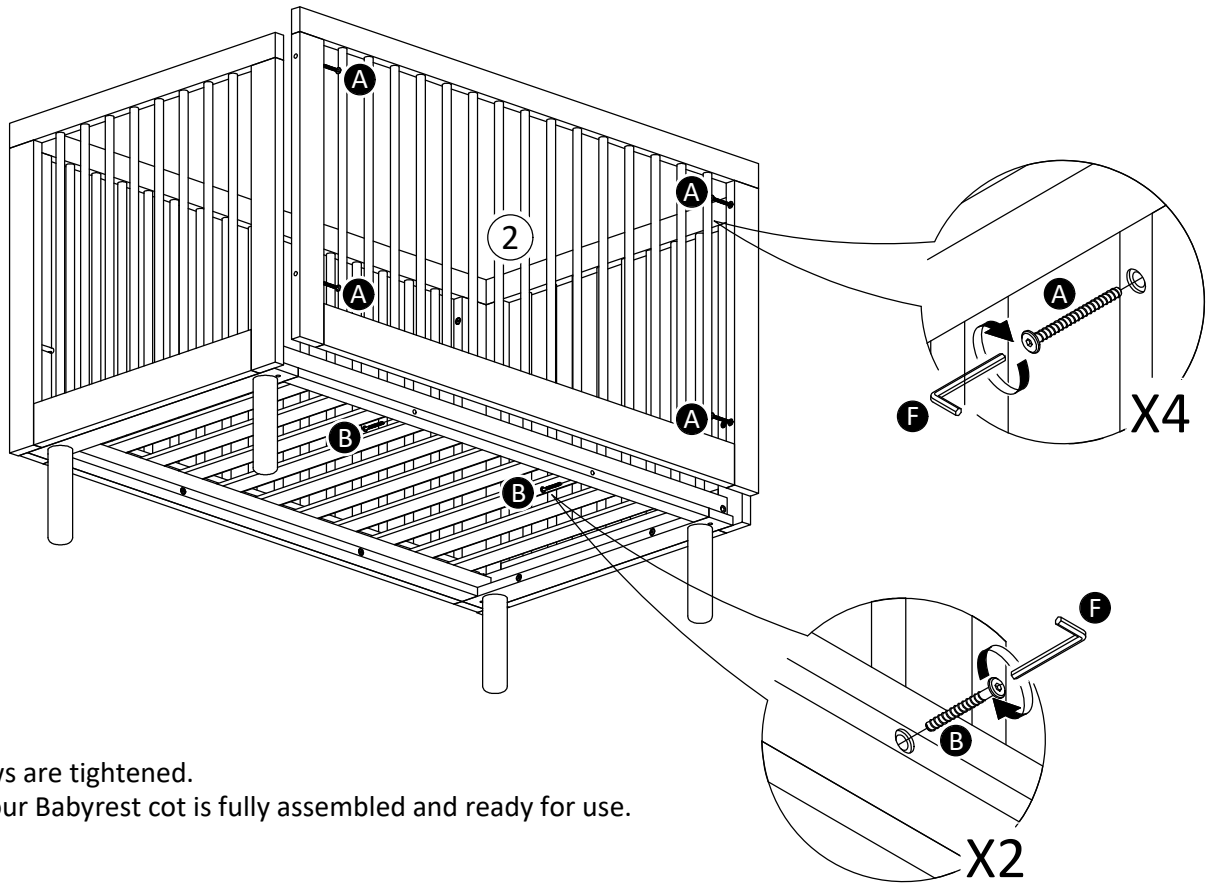
HIGHEST POSITION



Ensure unused mattress base mounting holes on the end panels are blanked off with the supplied blanking screws and tightened to prevent finger entrapment and swallowing hazards.

STEP 5

Attach side to assembled cot



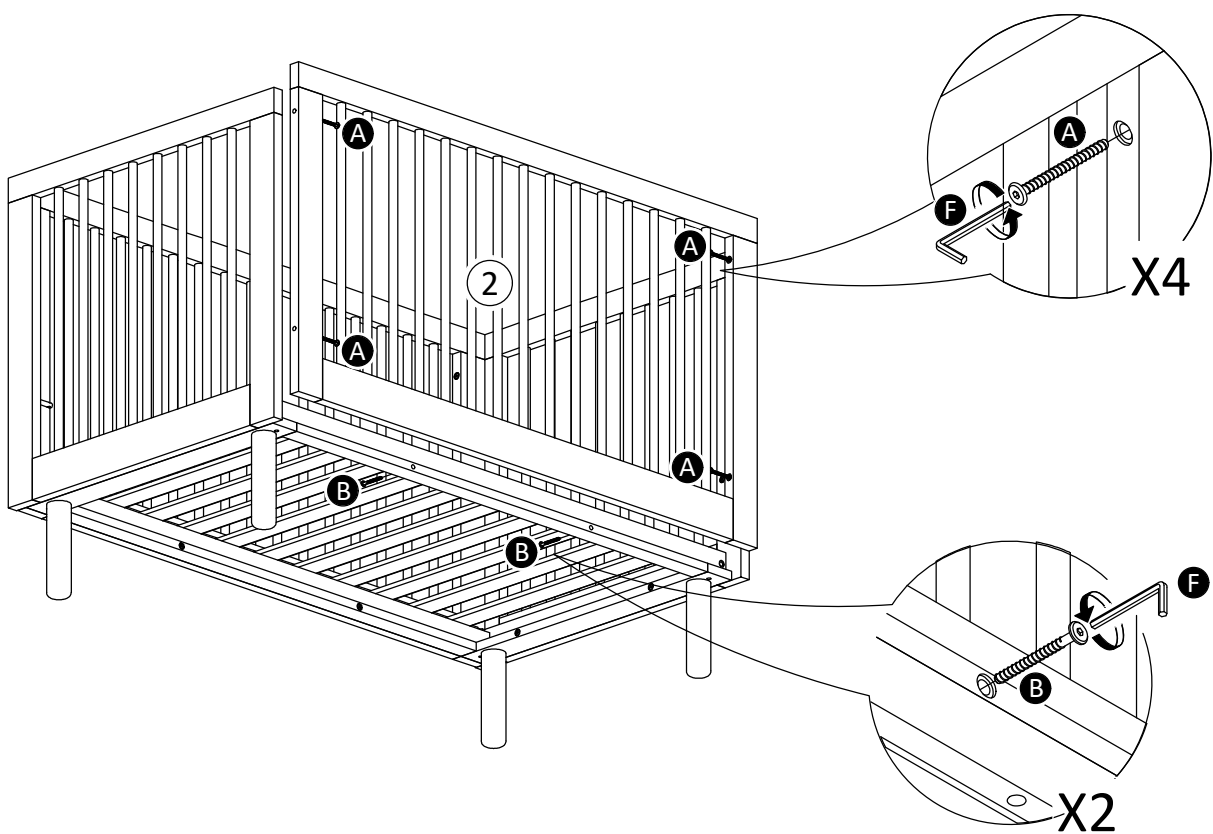
Make sure all screws are tightened.

Congratulations. Your Babyrest cot is fully assembled and ready for use.

TO CHANGE COT SIDE TO BEDRAIL (Optional accessory)

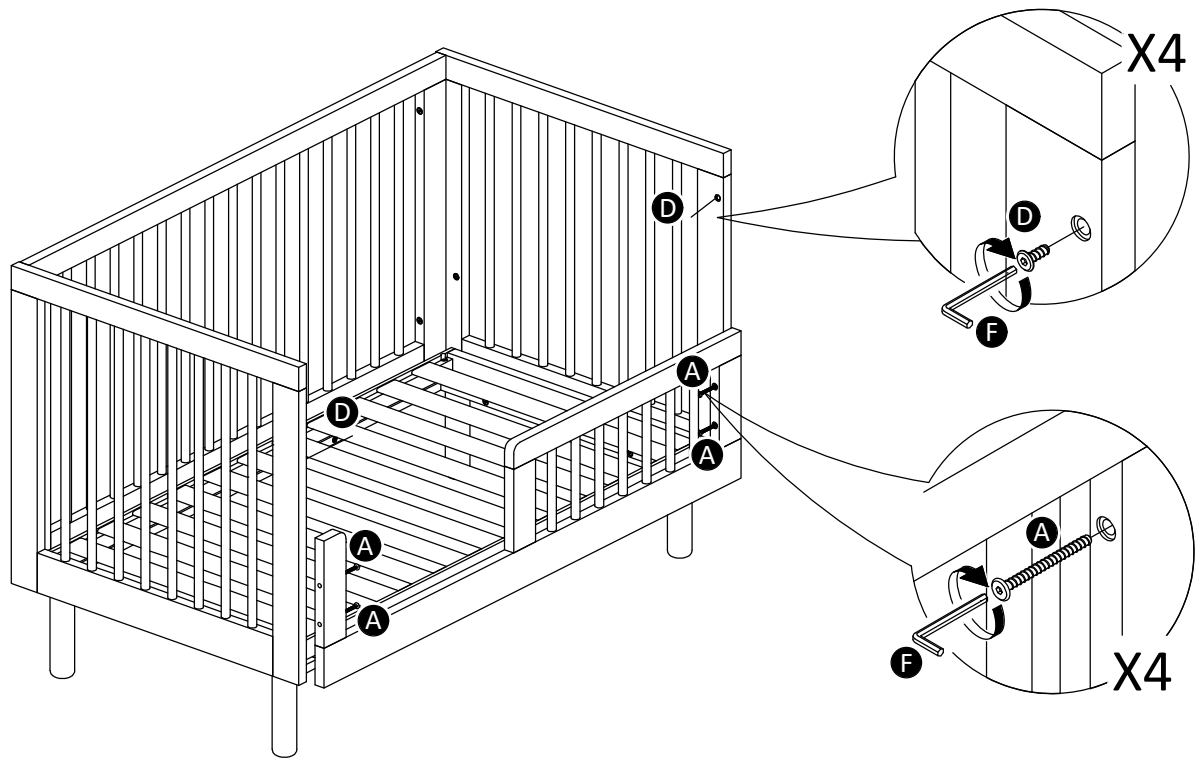
STEP 1

Remove cot side "2"



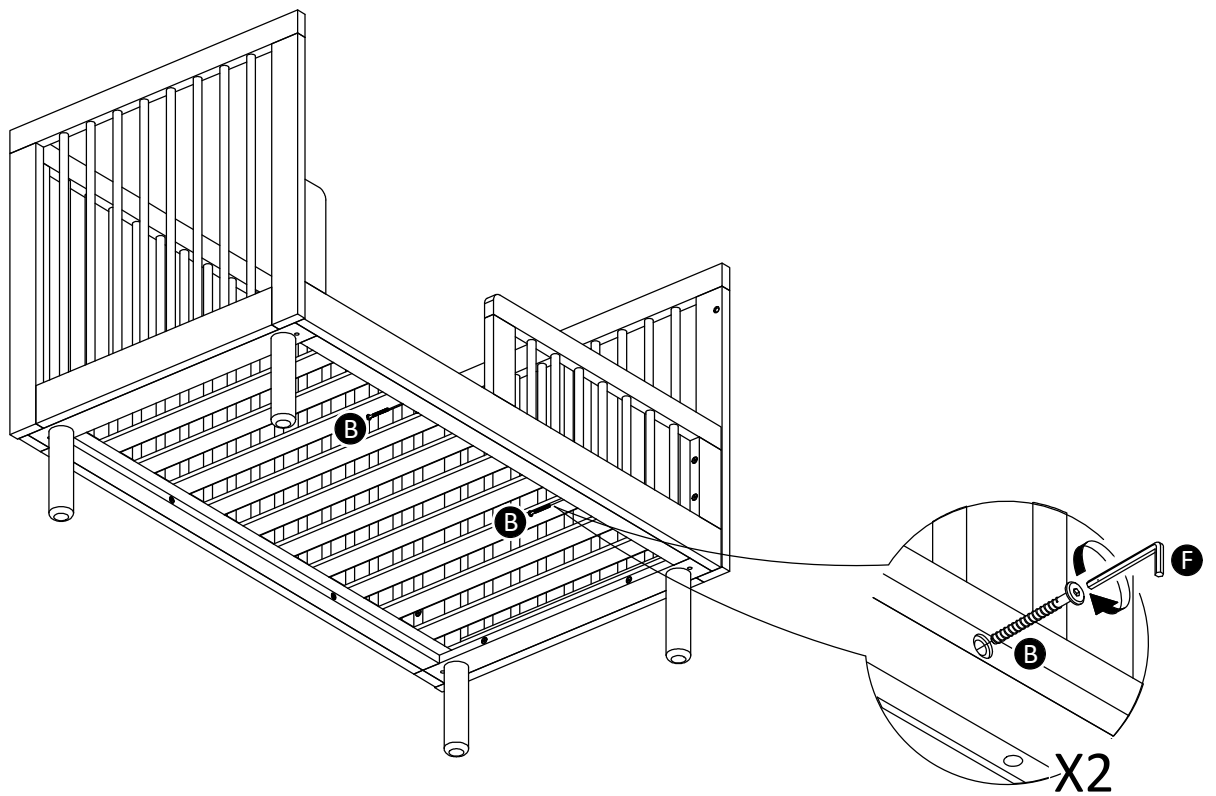
STEP 2

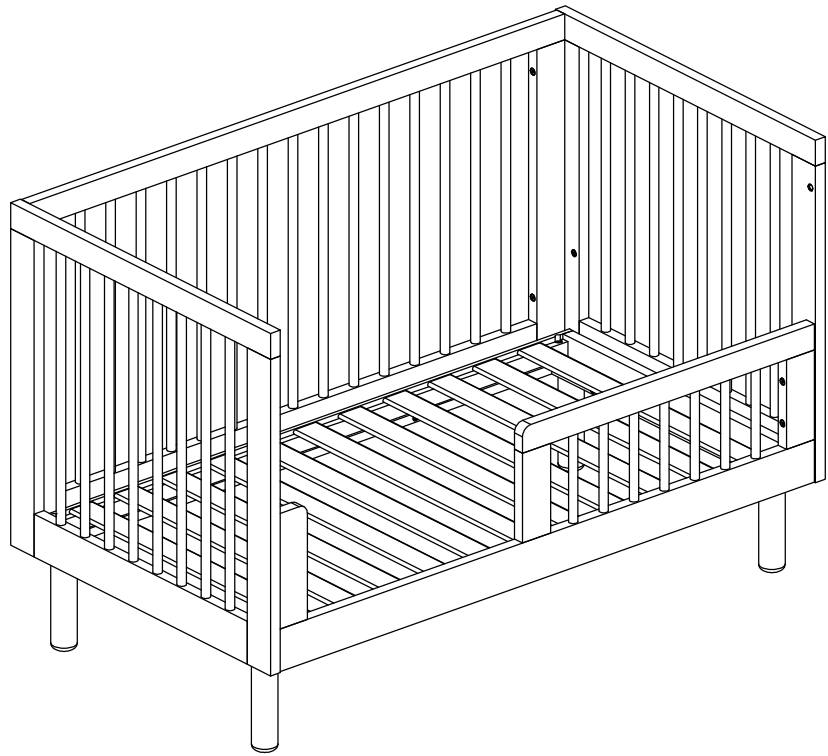
Attach bedrail to cot



STEP 3

Insert "B" screws underneath.





CONTACT US:

Babyrest™
by Anstel Brands Pty Ltd
36 Sunline Drive
Truganina VIC 3029
Australia
+61 3 9131 6545
info@babyrest.co
Made in Malaysia

NOTE: BEDRAIL SOLD SEPARATELY