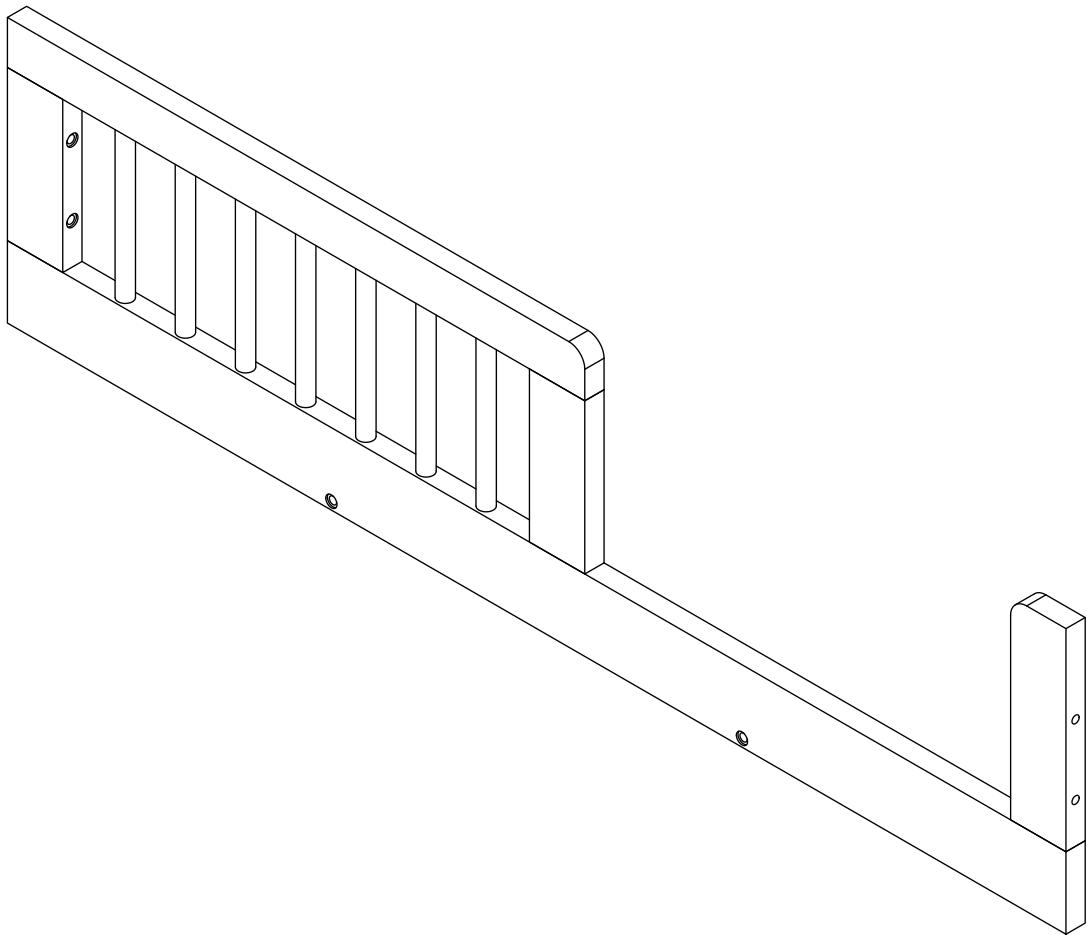


babynest

KAYA BEDRAIL

ASSEMBLY INSTRUCTION

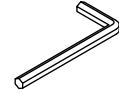


- The manufacturer's assembly instructions must be followed in detail to ensure the safety features to the cot are not compromised
- To clean surface use only water on a damp cloth. Do not use window cleaners or cleaning abrasives as it will scratch the surface and could damage the protective coating.

HARDWARE INVENTORY



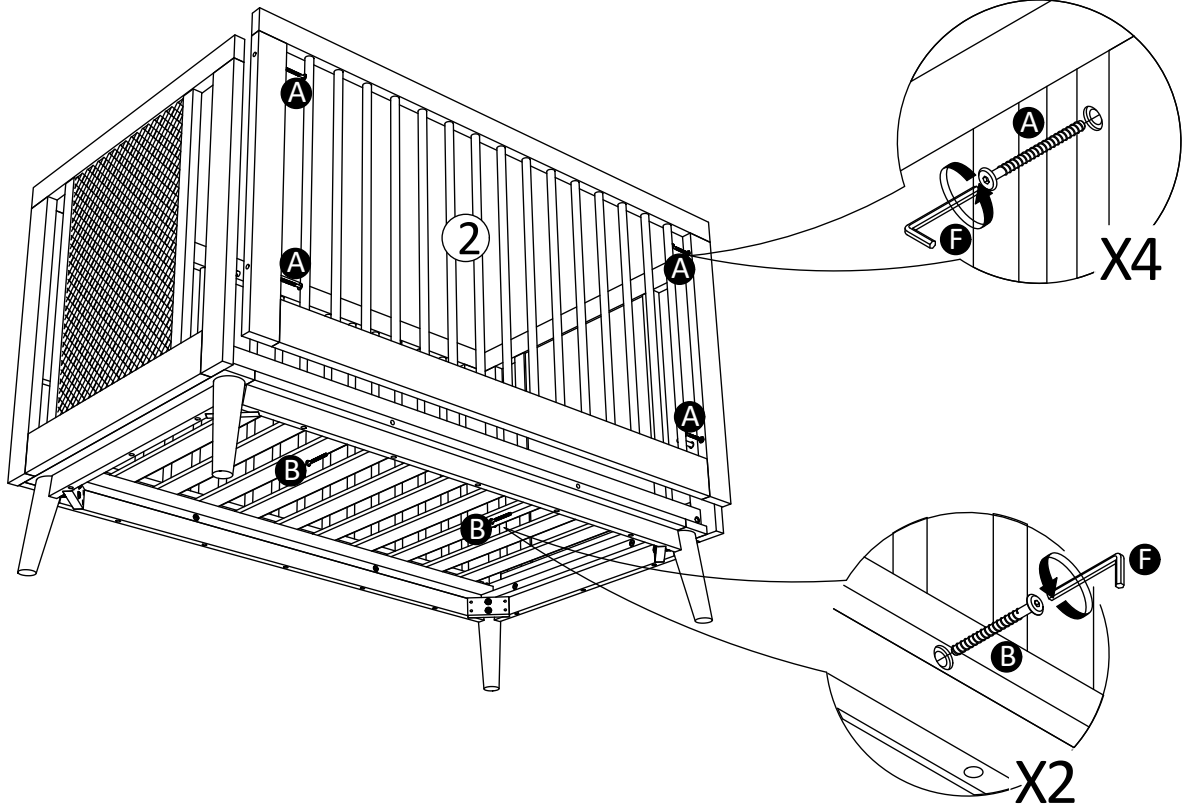
D 15MM ALLEN HEAD BOLT
(2 PCS)



F ALLEN WRENCH
(1 PC)

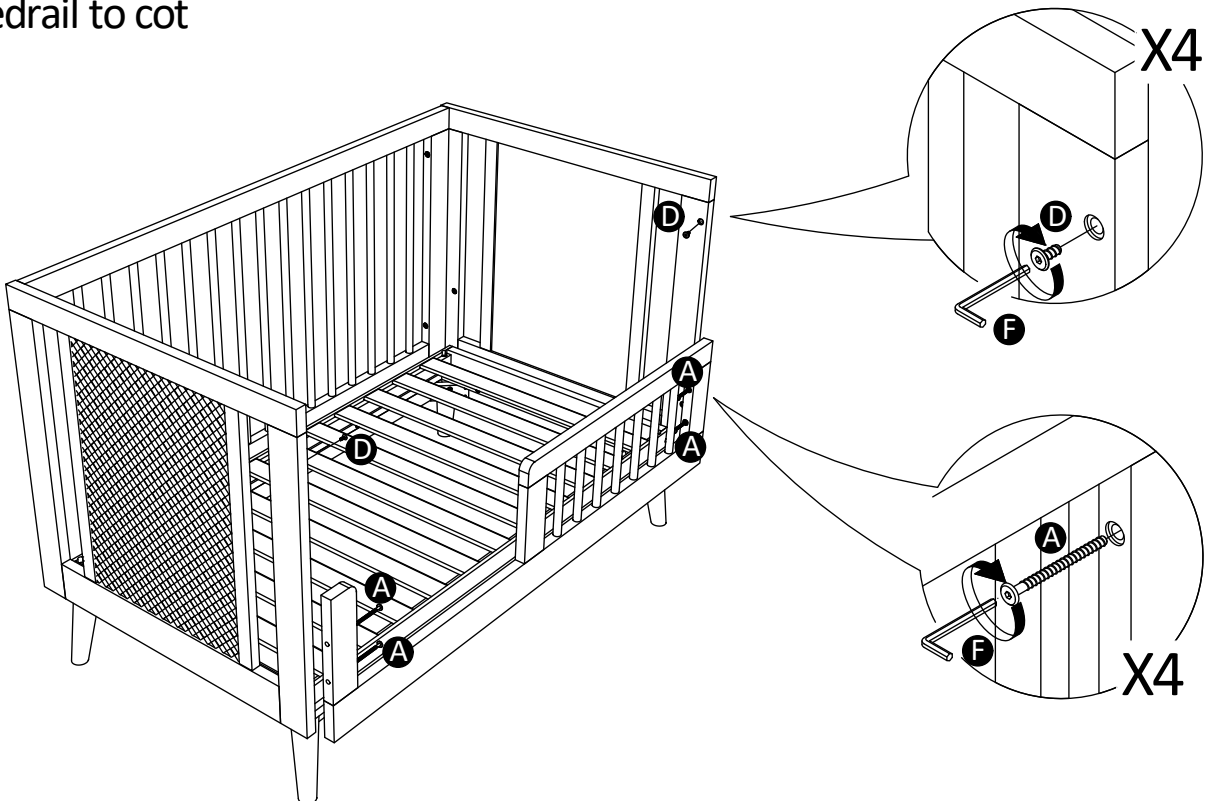
STEP 1

Remove cot side "2"



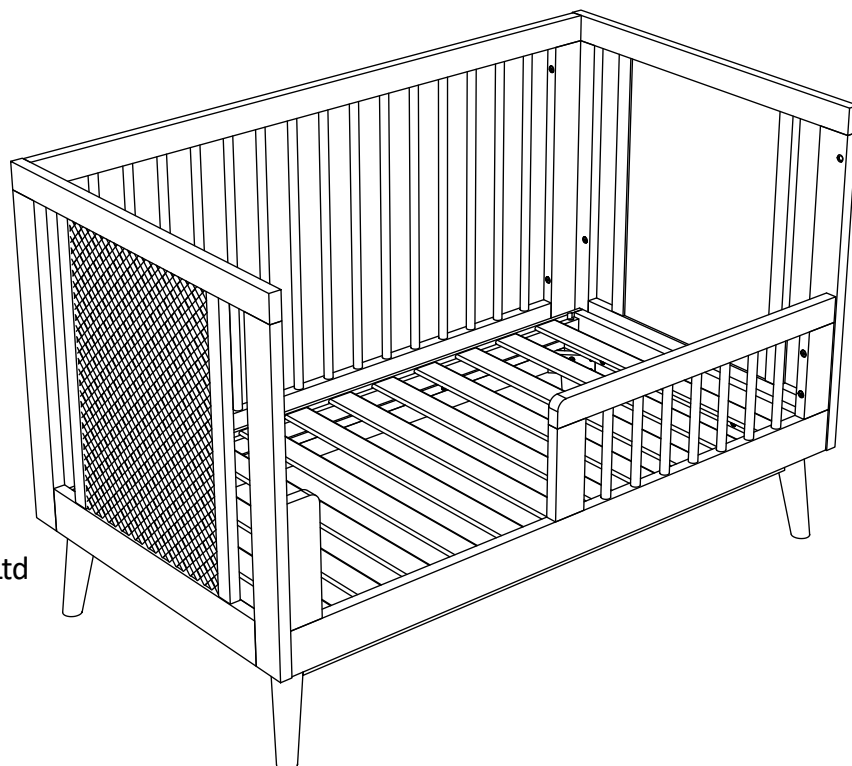
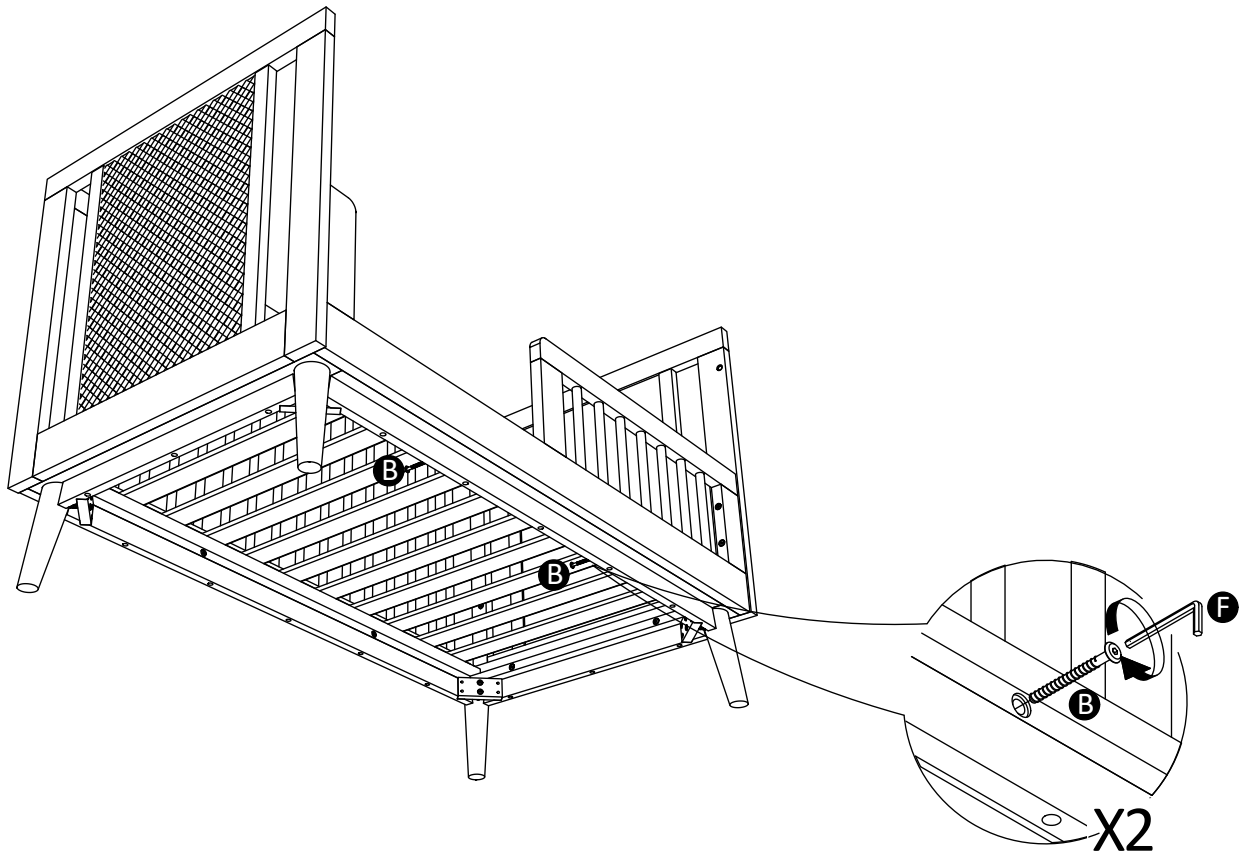
STEP 2

Attach bedrail to cot



STEP 3

Insert "B" screws underneath.



CONTACT US:

Babyrest™
by Anstel Brands Pty Ltd
36 Sunline Drive
Truganina VIC 3029
Australia
+61 3 9131 6545
info@babyrest.co
Made in Malaysia