

babynest

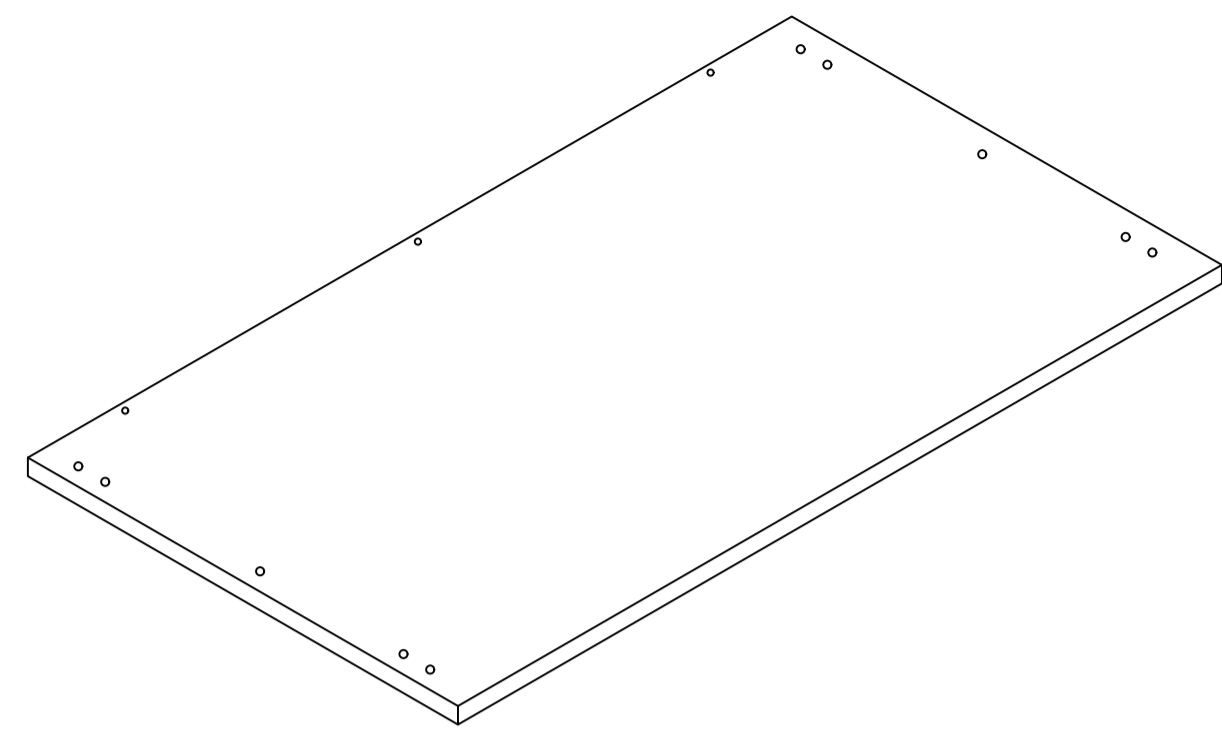
TORQUAY CHEST

Assembly Instructions

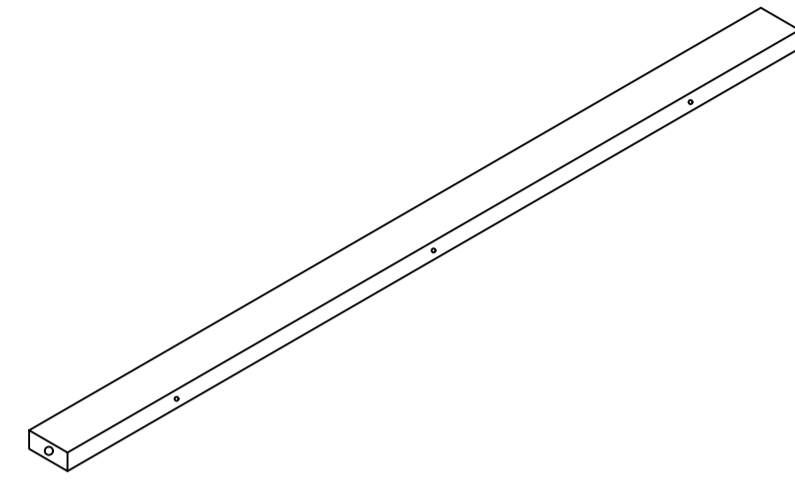


- The manufacturer's assembly instructions must be followed in detail to ensure the safety features of the chest are not compromised.
- To clean the surface, use a damp cloth with water. Do not use window cleaners or cleaning abrasives as this may scratch the surface and could damage the protective coating.

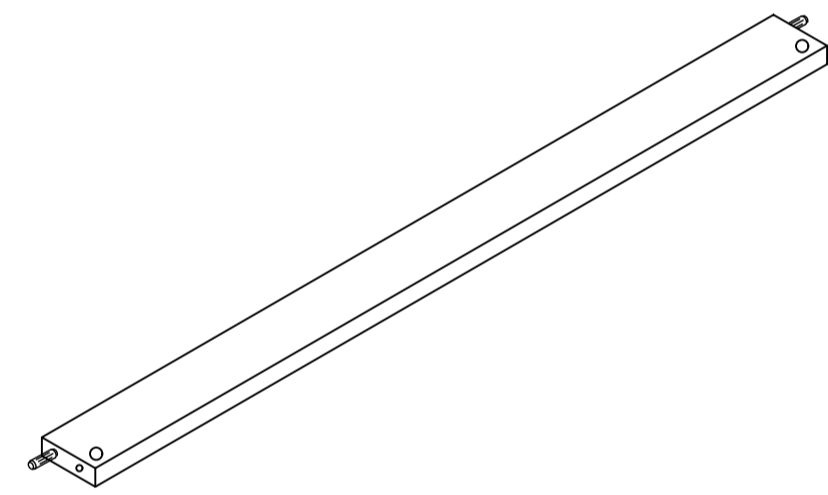
Box 1/3 Parts



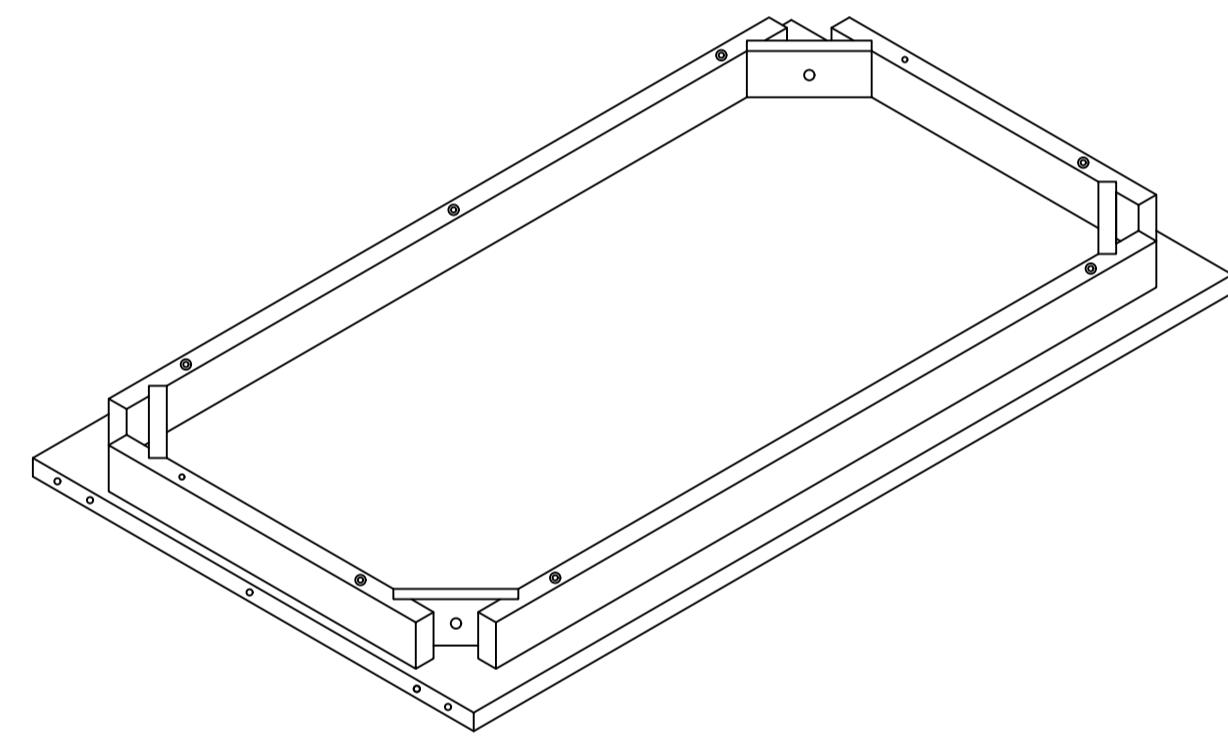
**① TOP PANEL
(1PC)**



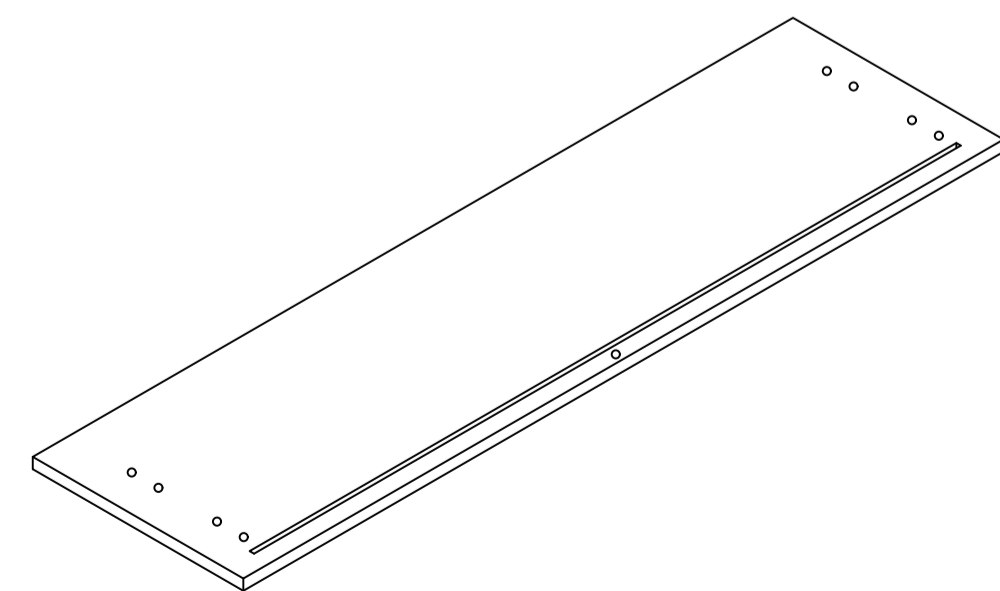
**④ TOP RAIL
(1PC)**



**⑤ CENTER RAIL
(2PCS)**

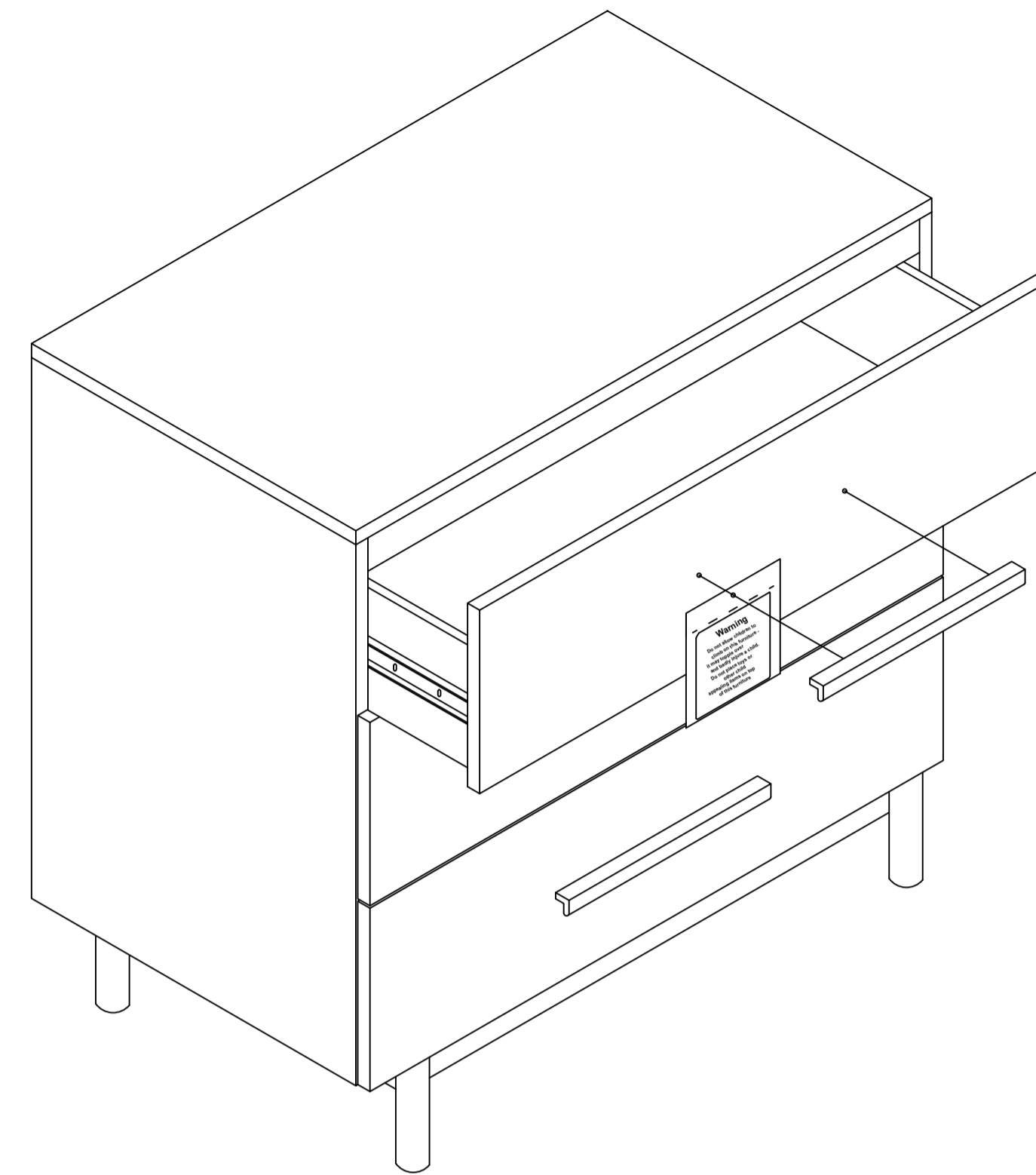


**⑧ BOTTOM PANEL
(1PC)**



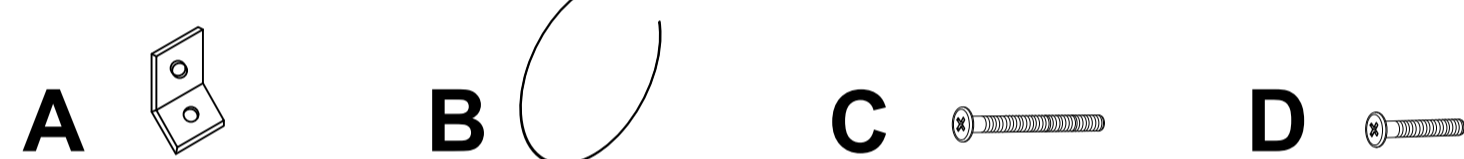
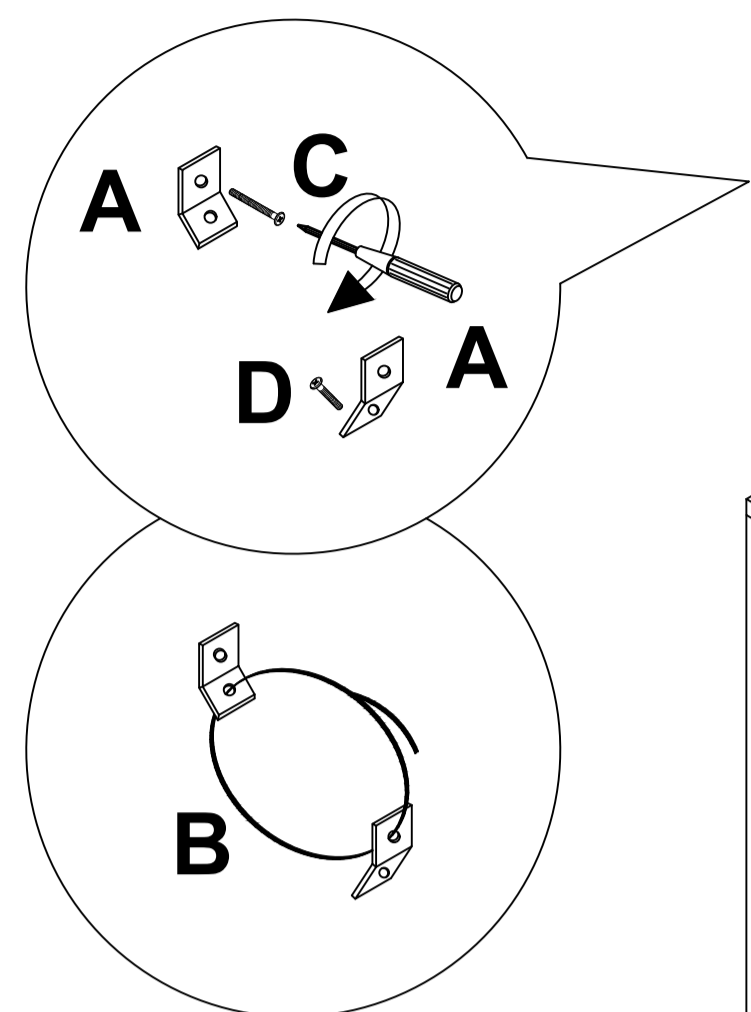
**⑭ DRAWER FRONT
(3PCS)**

Please place the hangtag on visible area of the chest after complete assembly of the chest



ANCHORING CHEST

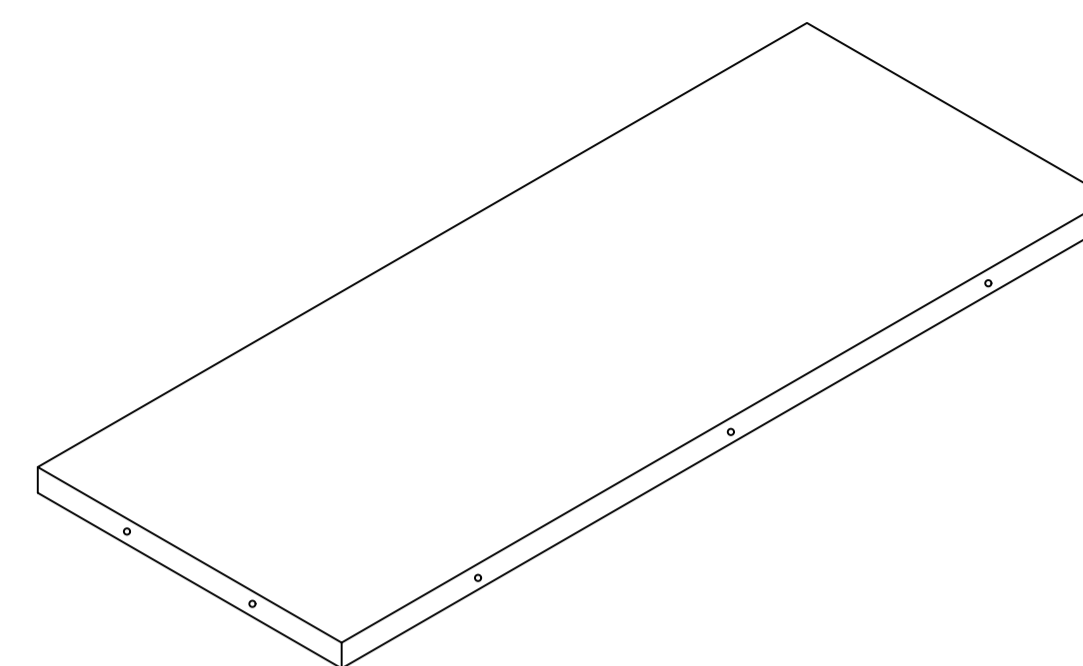
To anchor your chest, use the anchor kit as seen in the diagram below. Choose a suitable wall fixing that matches your wall style and then fasten the strap to the wall as shown using appropriate fixings.



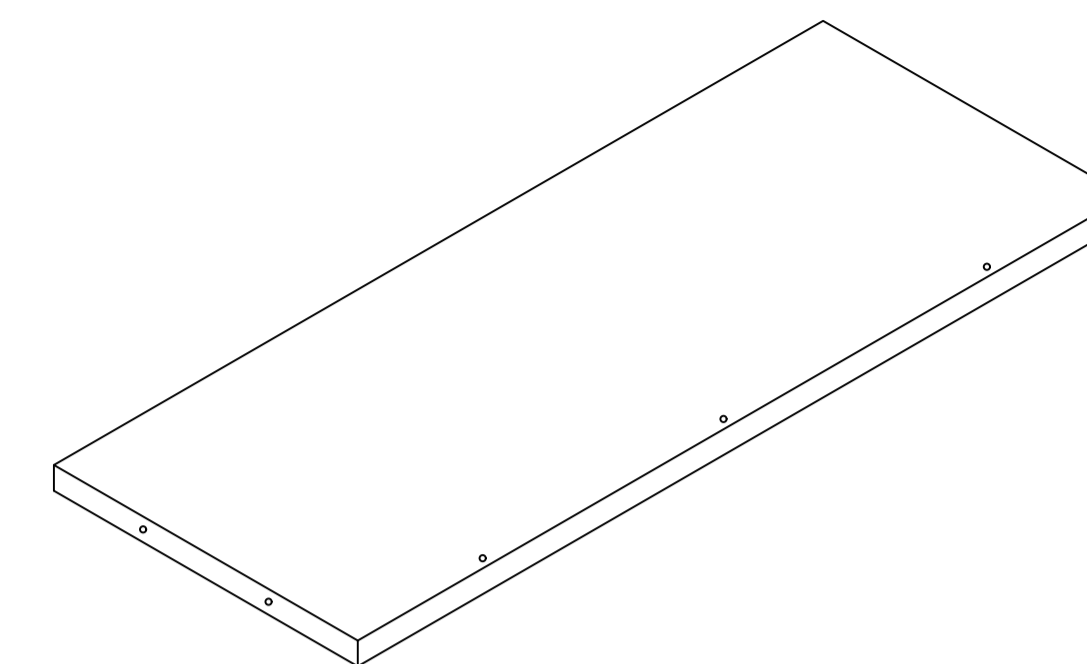
COMPLETED ASSEMBLY



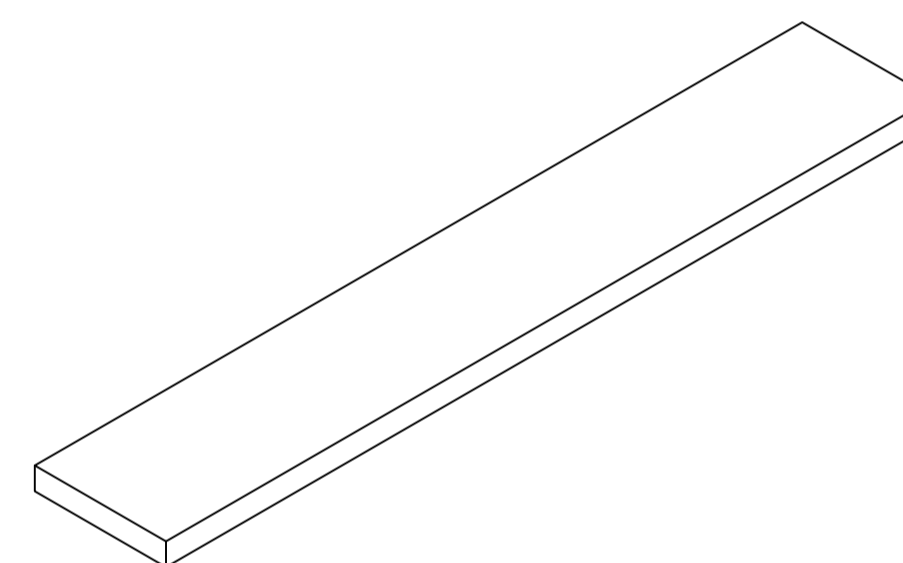
Box 2/3 Parts



⑥ UPPER BACK PANEL
(1PC)



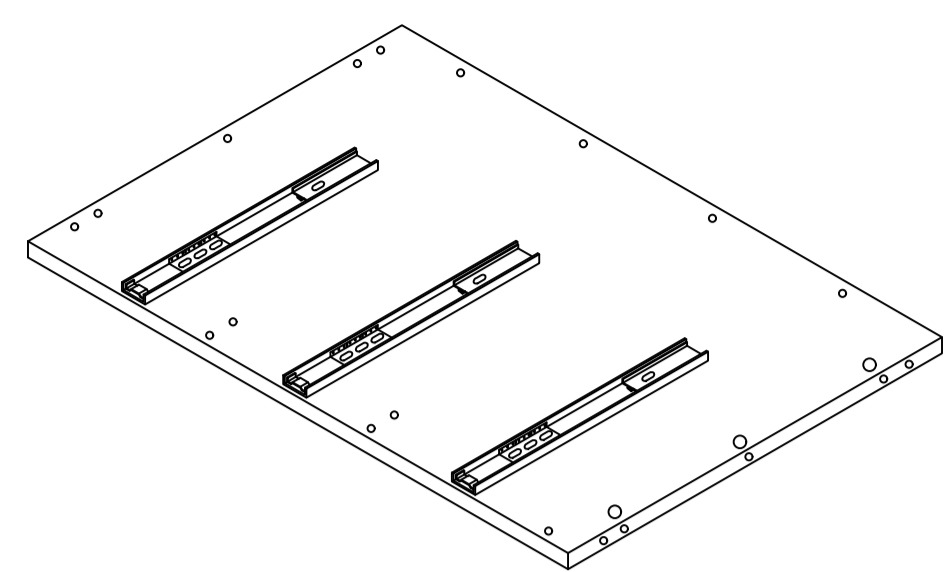
⑦ LOWER BACK PANEL
(1PC)



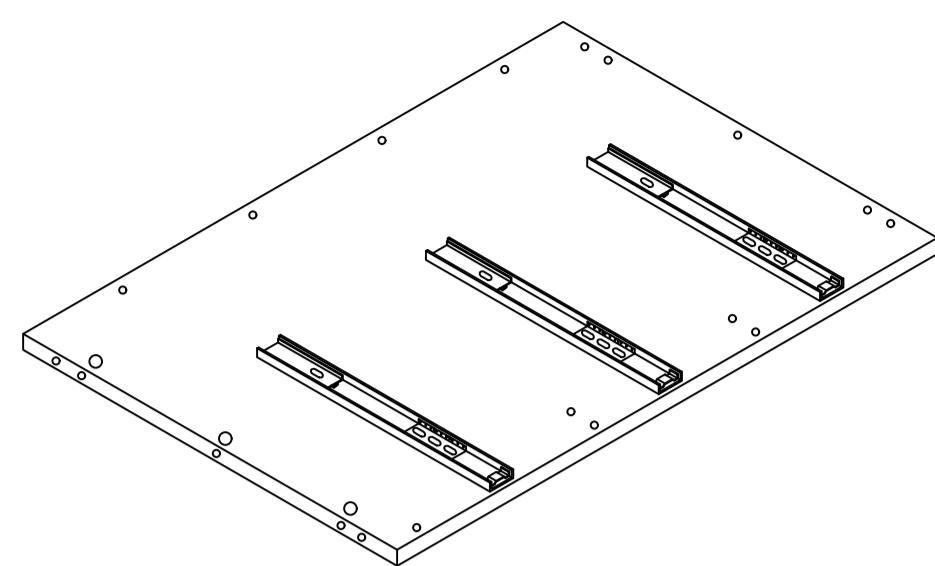
⑮ BACK PANEL SUPPORT
(1PC)

Babyrest™
by Anstel Brands Pty Ltd
36 Sunline Drive
Truganina VIC 3029 Australia
+61 3 9131 6545
info@babyrest.co
Made in Malaysia

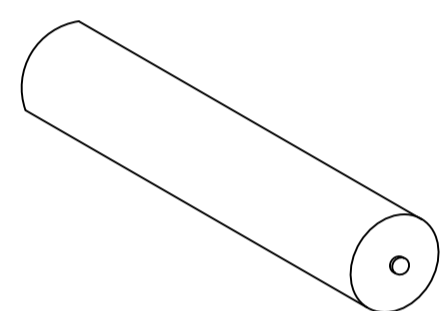
Box 3/3 Parts



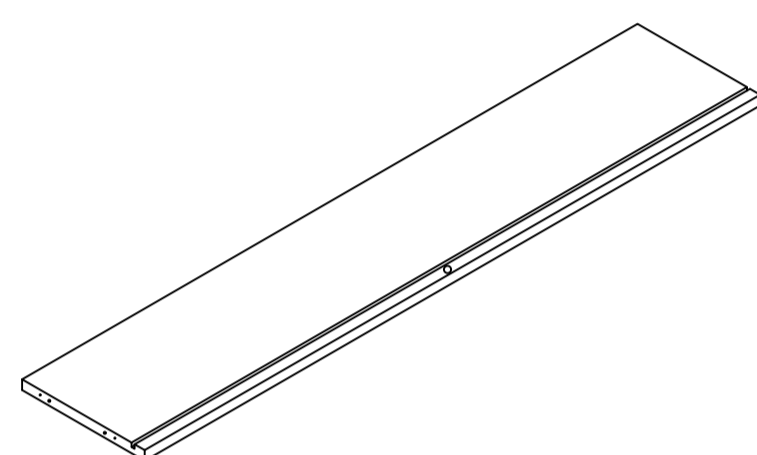
**② SIDE PANEL (L)
(1PC)**



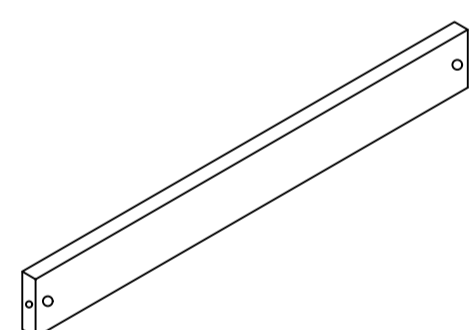
**③ SIDE PANEL (R)
(1PC)**



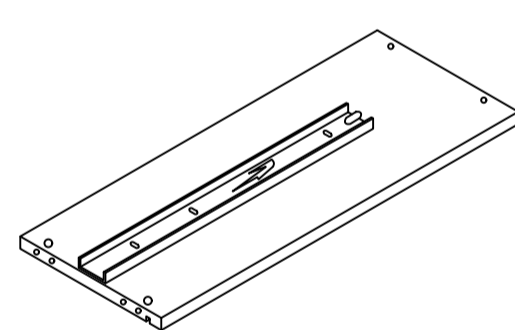
**⑨ LEG
(4PCS)**



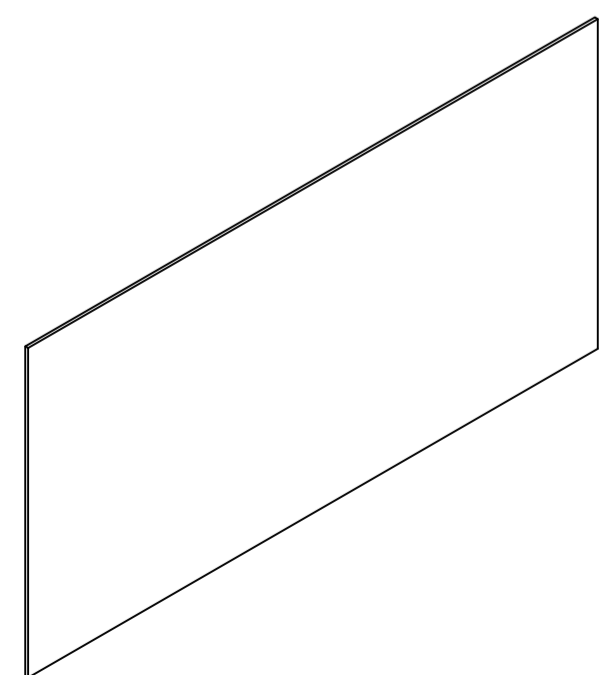
**⑩ DRAWER BACK
(3PCS)**



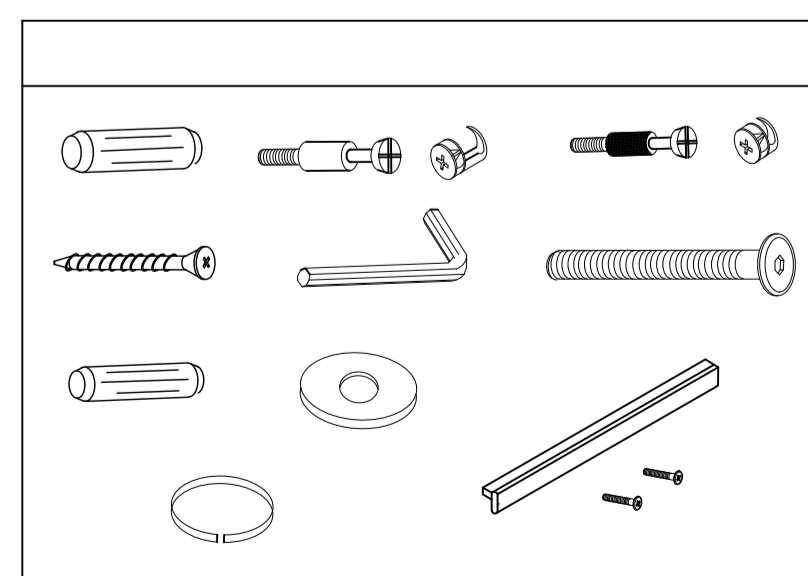
**⑪ DRAWER SUPPORT
(3PCS)**



**⑫ DRAWER SIDE
(6PCS)**

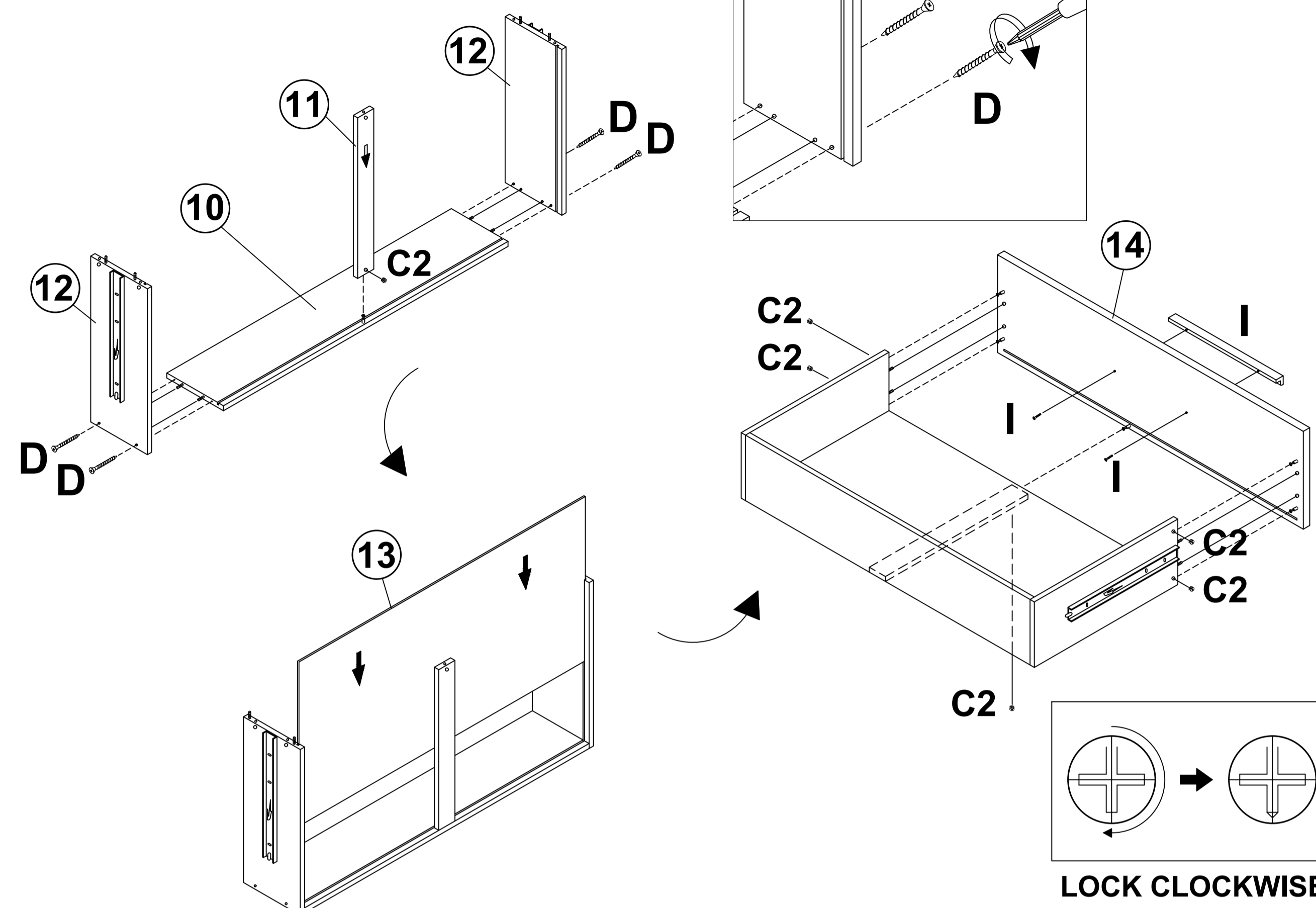


**⑬ DRAWER BASE
(3PCS)**



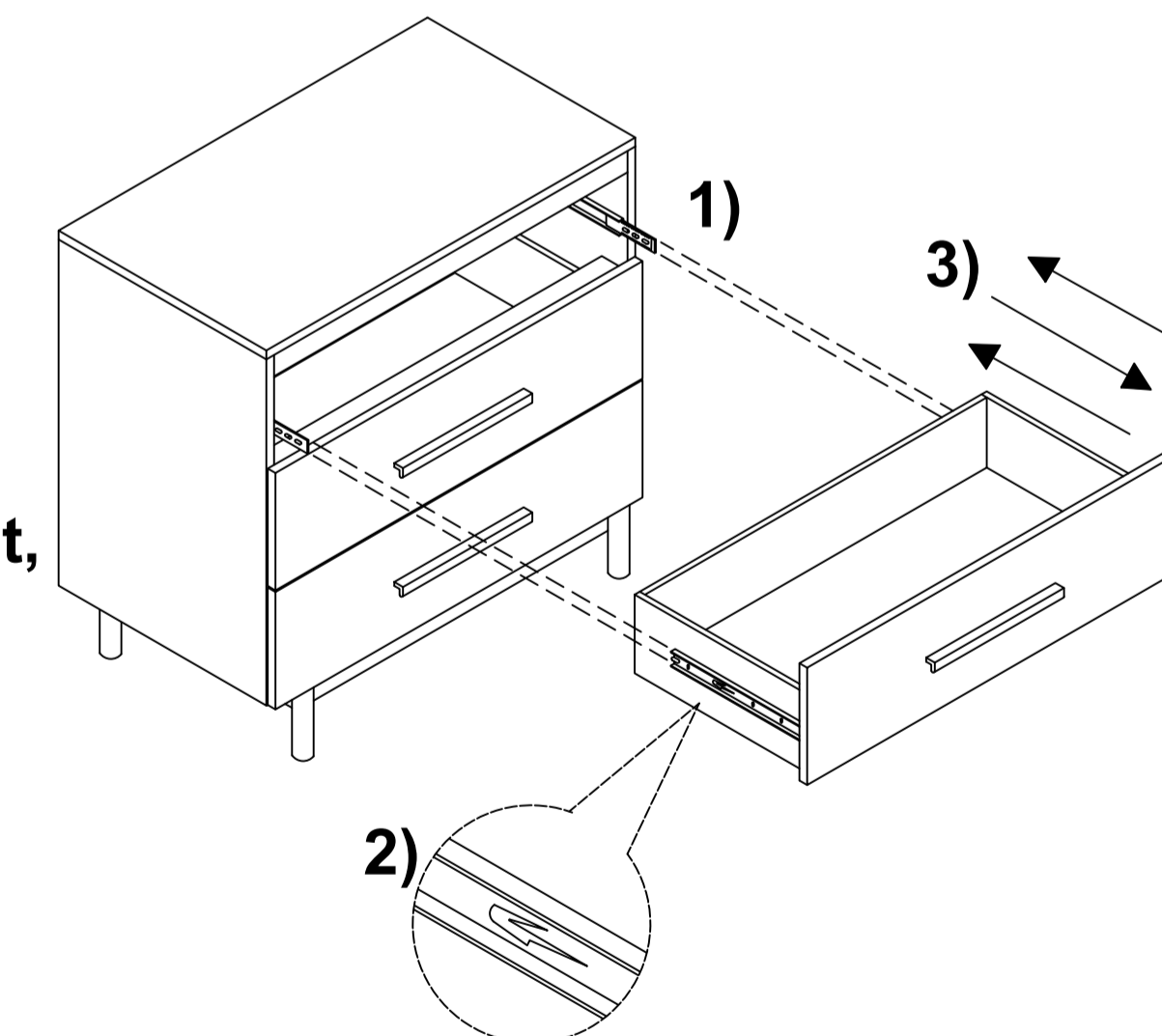
**HARDWARE BAG
(1PC)**

Step 8 : Drawer assembly x 3



Step 9 : Insert Drawers into Cabinet

- 1) Bring the ball bearing retainer on cabinet forward.
- 2) With help from another person, carefully align and insert drawer slide into cabinet slide, guiding the drawer slide between the ball bearing retainer, as shown
- 3) Push the drawer into cabinet. You may experience a light resistance when pushing the drawer into cabinet, but once both slides are properly engaged, drawer should slide in and out smoothly. Push forward to closed position and then back out again.



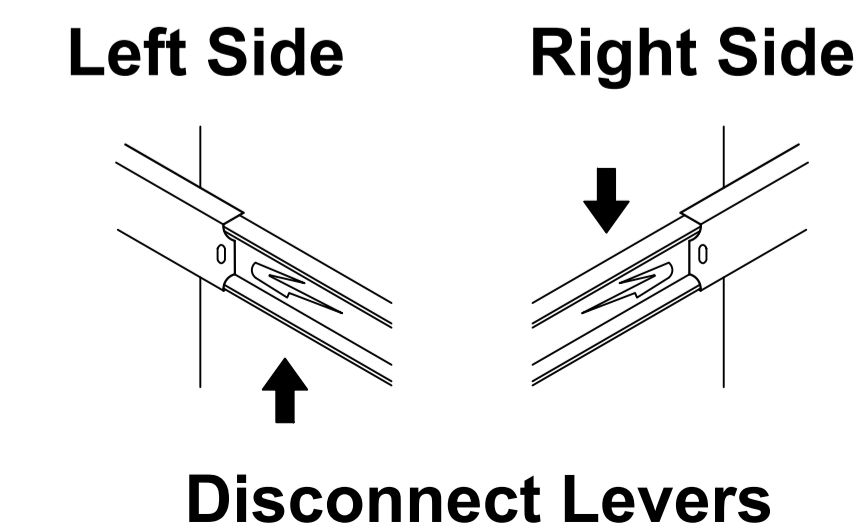
Note.

*Do not use excessive force to insert drawer as this may cause damage to the slides.

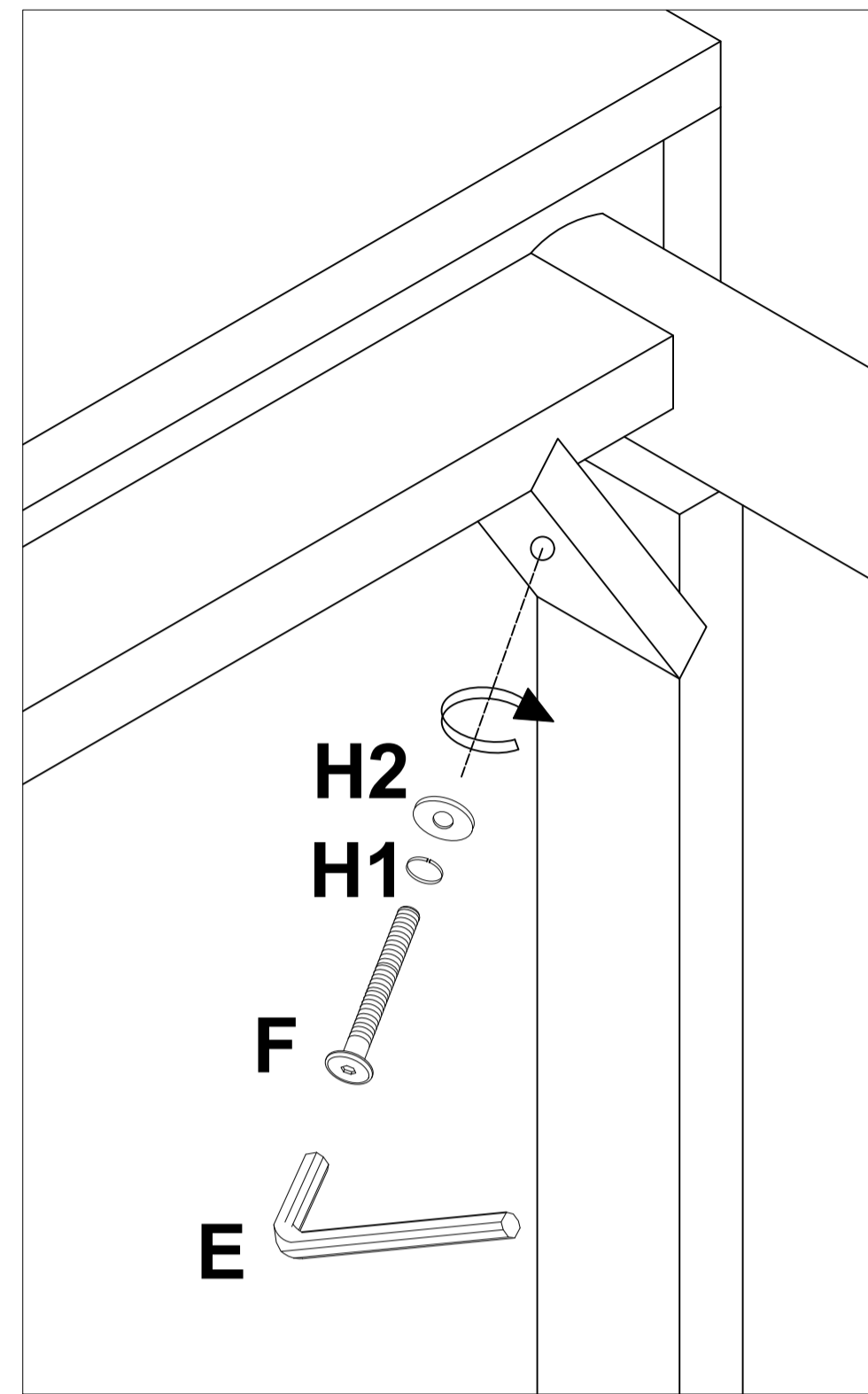
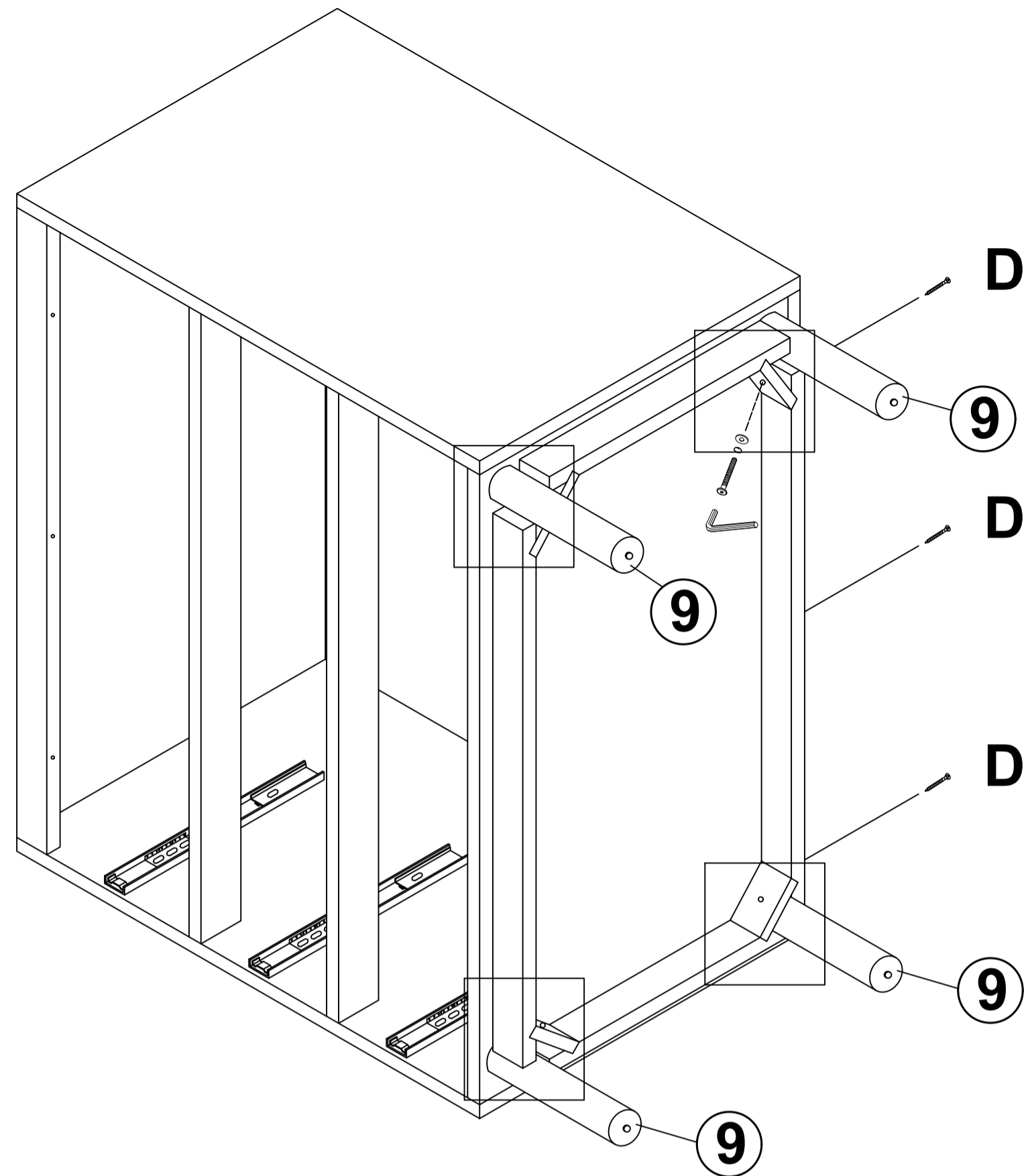
*Make sure the drawer with warning label is placed in top drawer position.

To Remove Drawer, If Needed

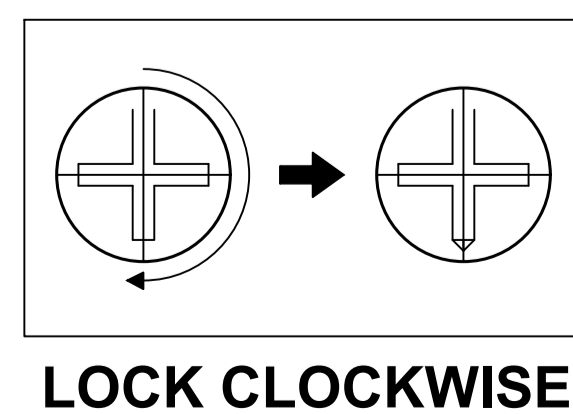
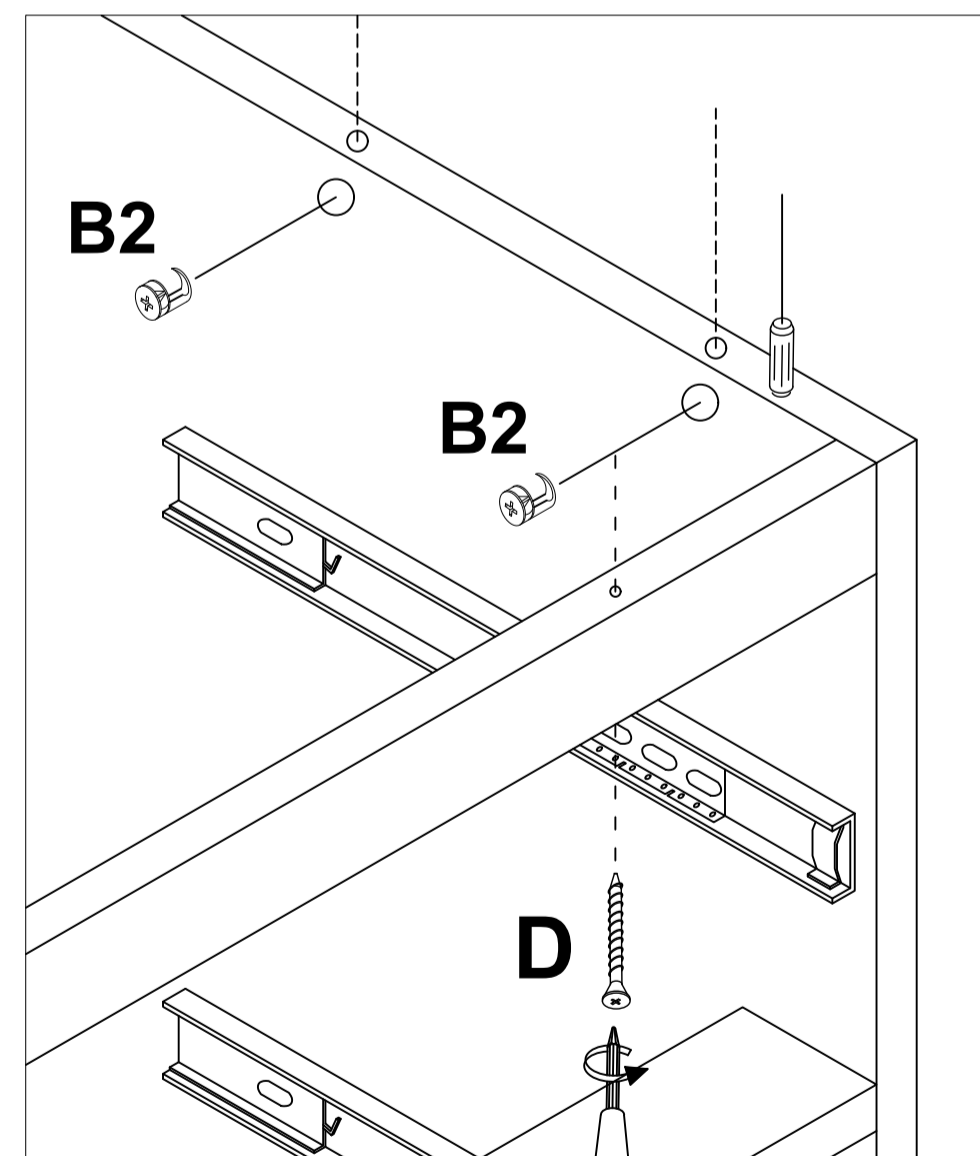
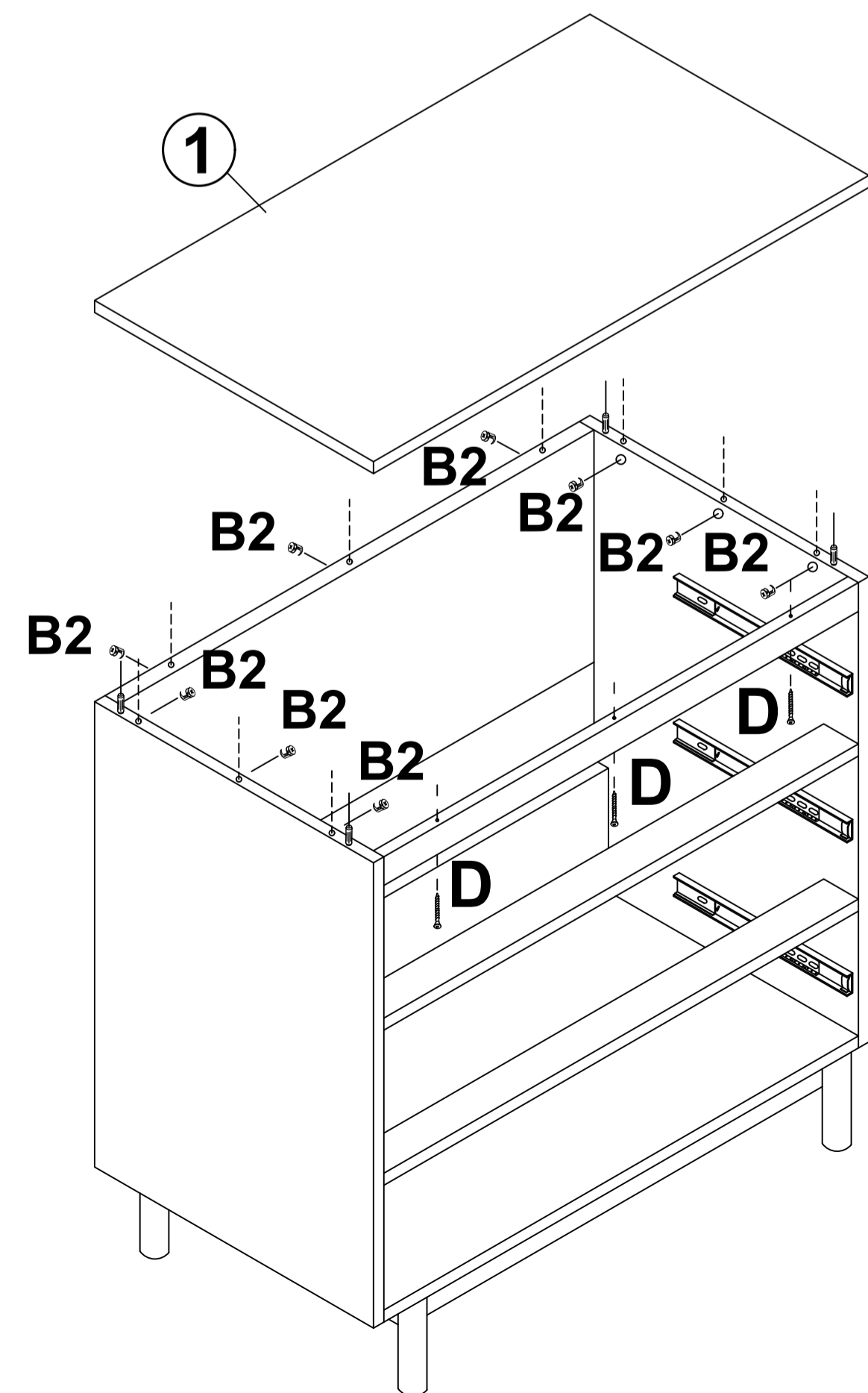
- Pull the drawer fully open so levers are visible.
- Push UP on left side lever and DOWN on right side lever.
- Holding levers in place, pull drawer toward you.



Step 6 : Attach feet "9"



Step 7 : Attach top panel "1"



Read this instructions carefully. See hardware and furniture part list for guidance. Be sure all part is complete before you assemble. Place all wooden furniture part on a clean and flat soft surface to prevent from being scratched. Follow the figure to start assembling.

CAUTIONS:

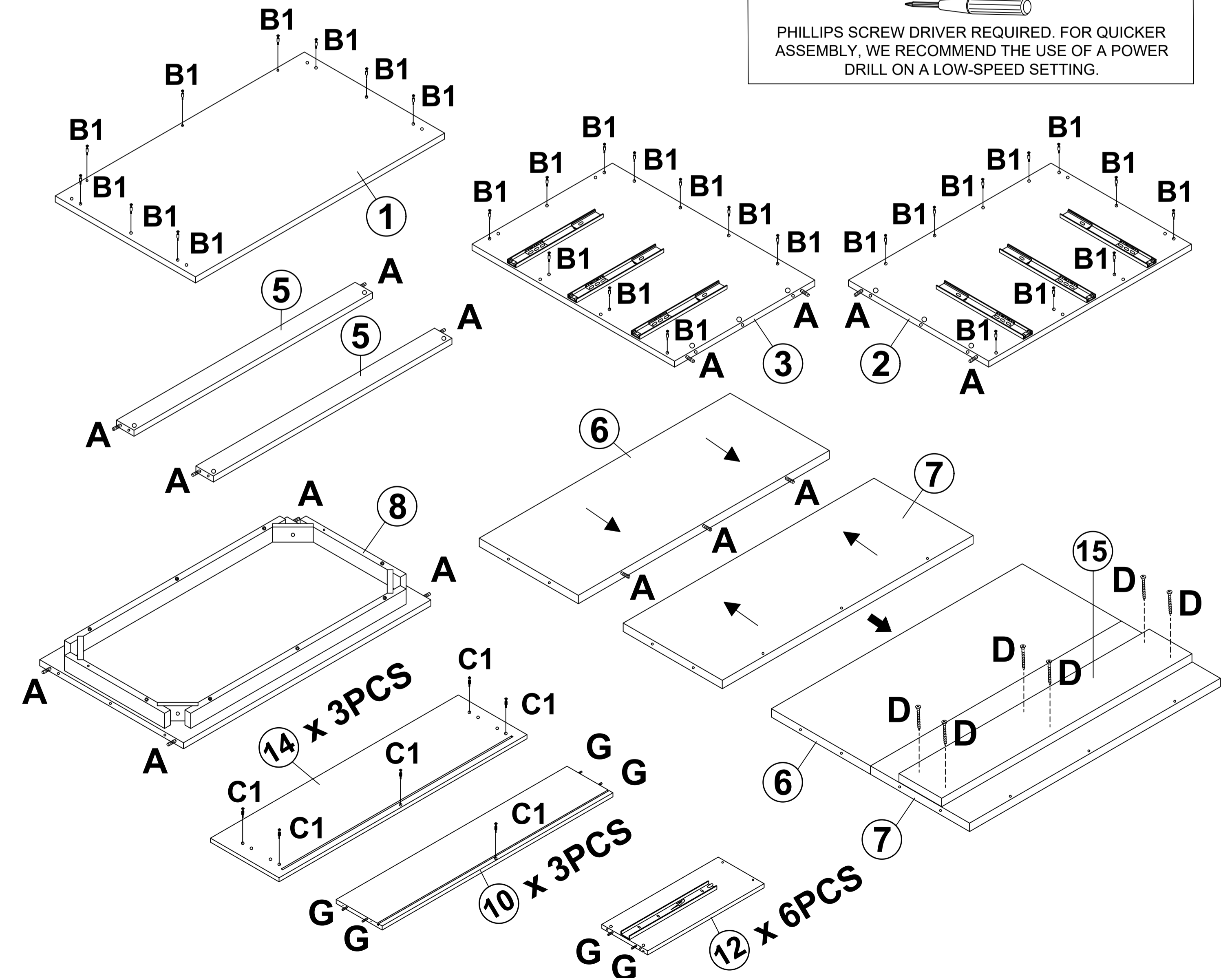
1. Do not FULLY-TIGHTEN the nut or nut bolt until all nut or bolt is ready assembled.
2. Do not OVER-TIGHTEN the nut or nut bolt to avoid causing damages to the thread.
3. Keep all hardware part out of reach of children.

NOTE : THE LIST AND QUANTITY SHOWN ARE FOR 1 UNIT ASSEMBLY.

PART LIST					
NO	DESCRIPTION	QTY	NO	DESCRIPTION	QTY
①	TOP PANEL	1	⑨	LEG	4
②	SIDE PANEL (L)	1	⑩	DRAWER BACK	3
③	SIDE PANEL (R)	1	⑪	DRAWER SUPPORT	3
④	TOP RAIL	1	⑫	DRAWER SIDE-3L3R	6
⑤	CENTER RAIL	2	⑬	DRAWER BASE	3
⑥	UPPER BACK PANEL	1	⑭	DRAWER FRONT	3
⑦	LOWER BACK PANEL	1	⑮	BACK PANEL SUPPORT	1
⑧	BOTTOM PANEL	1			

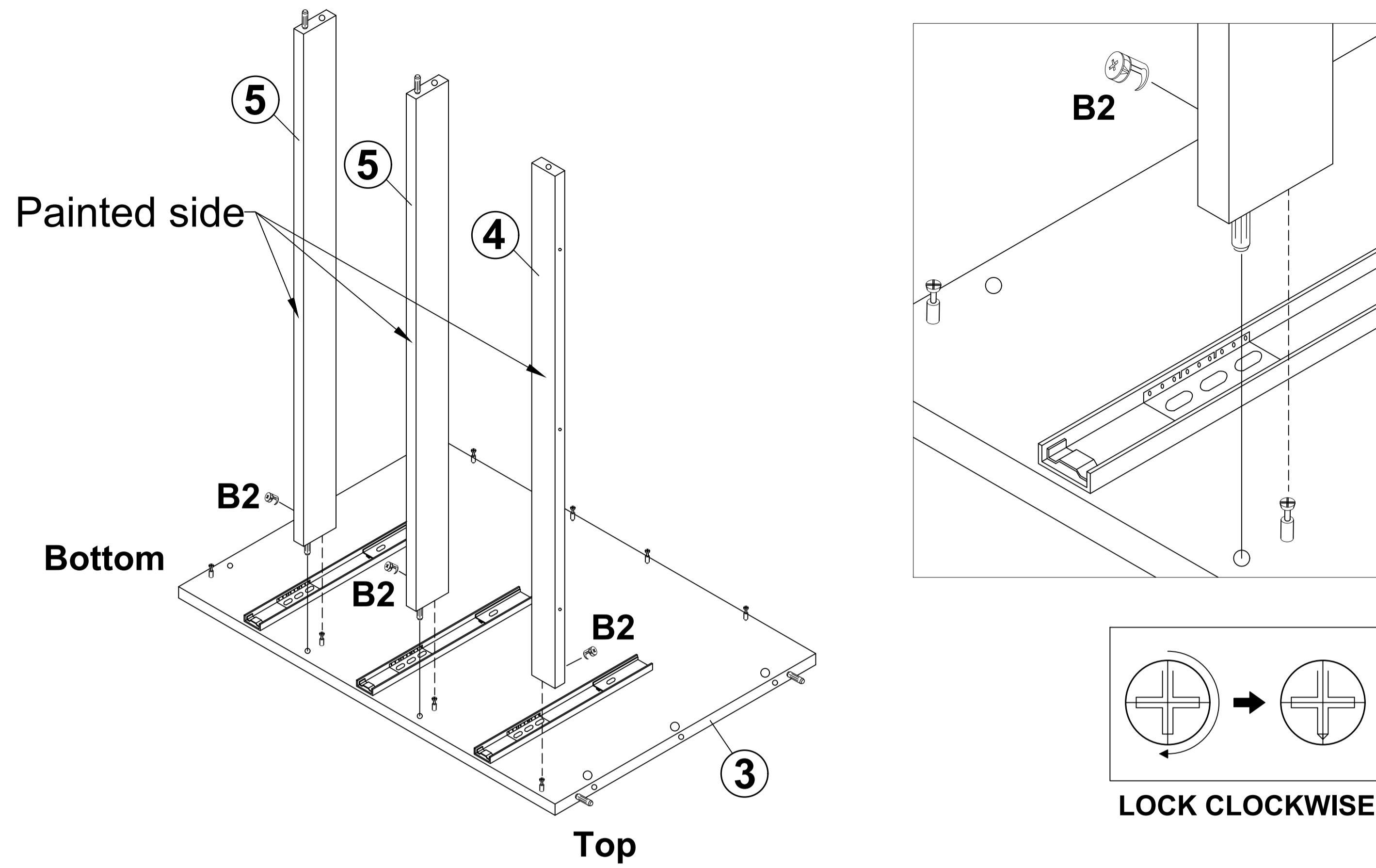
HARDWARE LIST			
NO	DESCRIPTION		QTY
A	WOOD DOWEL M8		15
B	MINIFIX + CAP		29
C	MINIFIX + CAP [DRAWER]		18
D	SCREW M4 X 32MM		24
E	ALLEN KEY M5		1
F	JCBB M8X60MM		4
G	WOOD DOWEL M6		24
H	SPRING & FLAT WASHER		4
I	HANDLE WITH SCREW		3

Step 1 : Attach fittings to timber parts

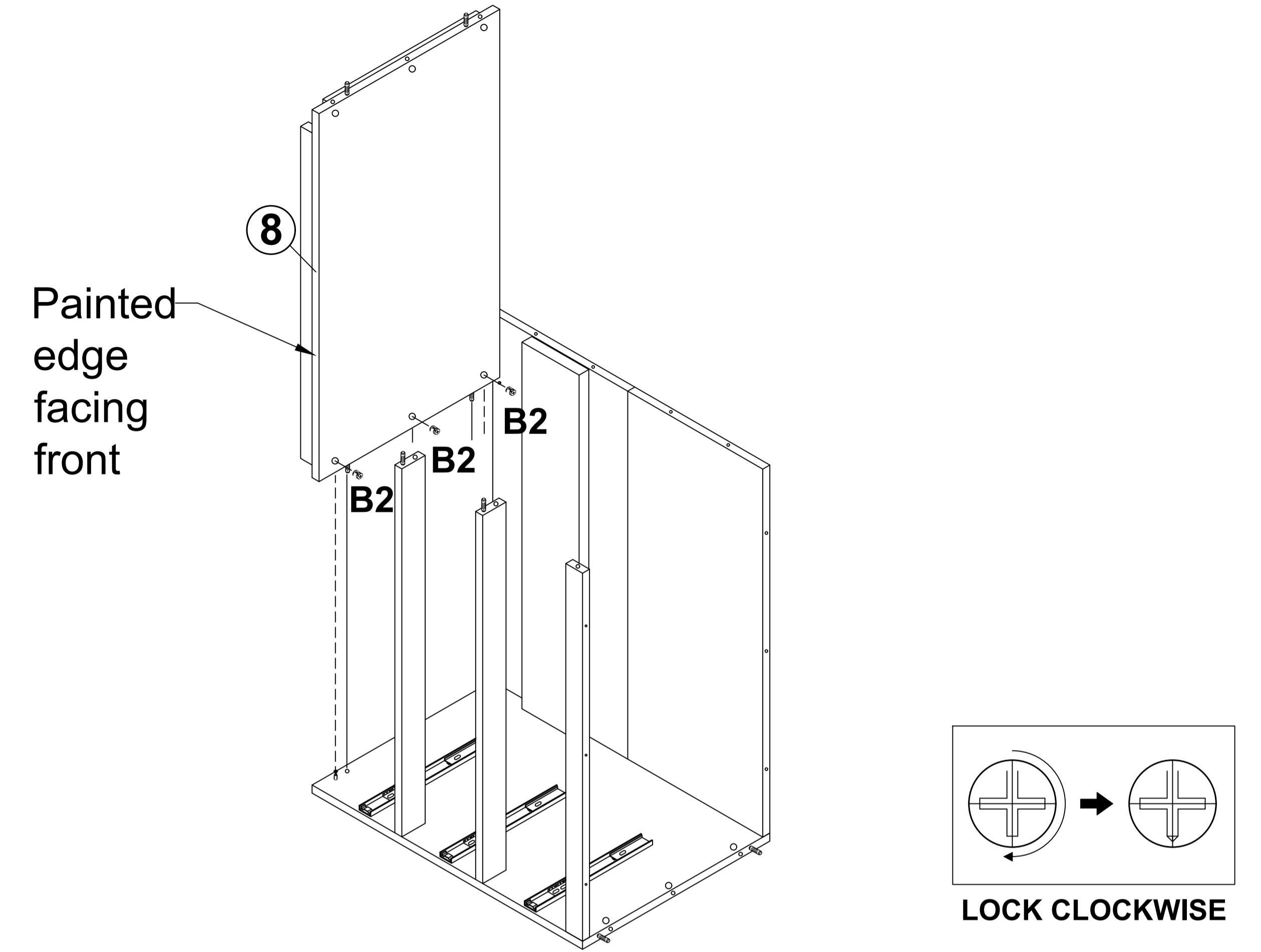


PHILLIPS SCREW DRIVER REQUIRED. FOR QUICKER ASSEMBLY, WE RECOMMEND THE USE OF A POWER DRILL ON A LOW-SPEED SETTING.

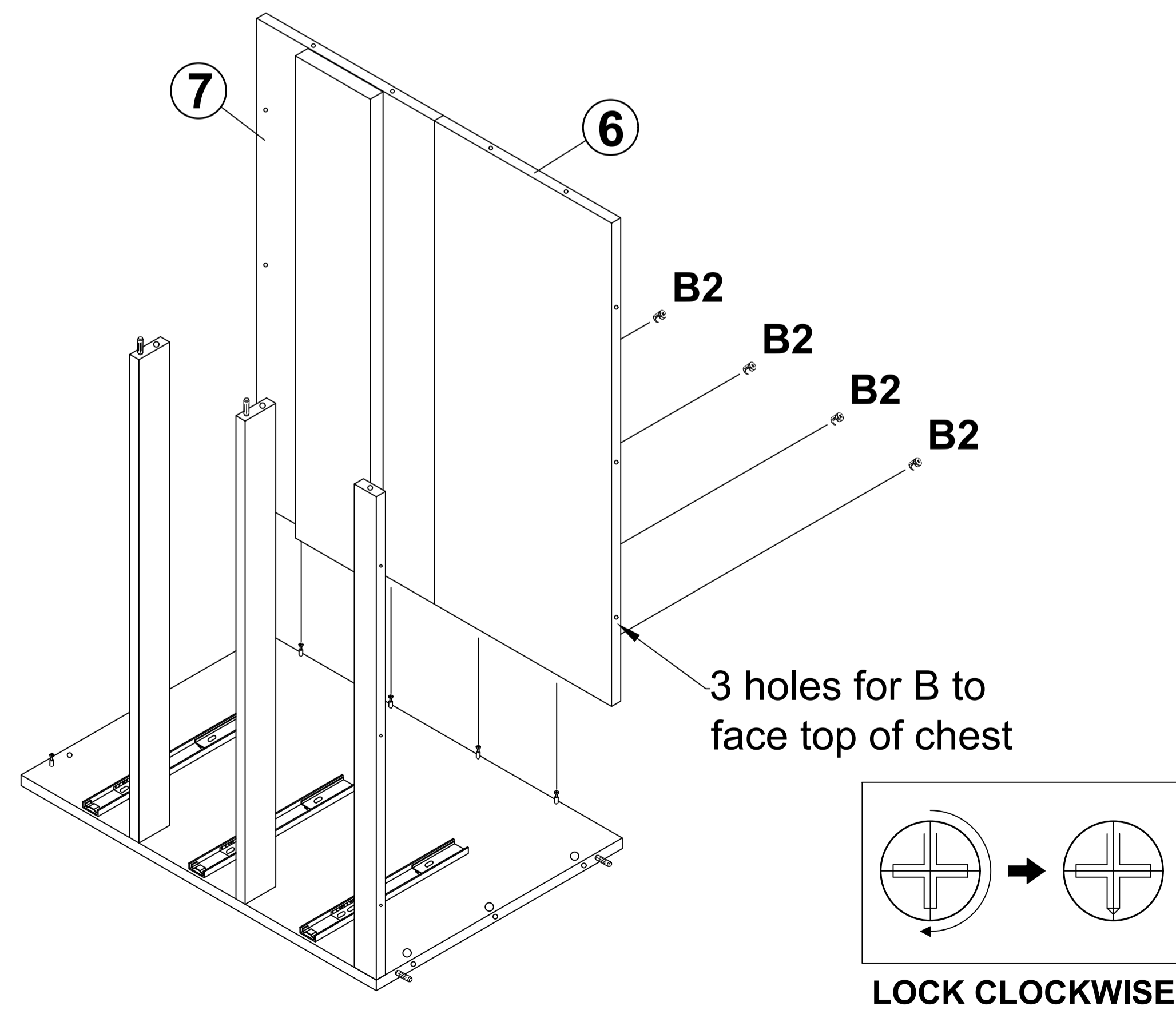
Step 2 : Fit front bars to Right side panel "3". Make sure matching paint colour is facing front of chest.



Step 4 : Attach bottom panel "8"



Step 3 : Attach rear panel "6" and "7"



Step 5 : Attach Left side panel "2"

