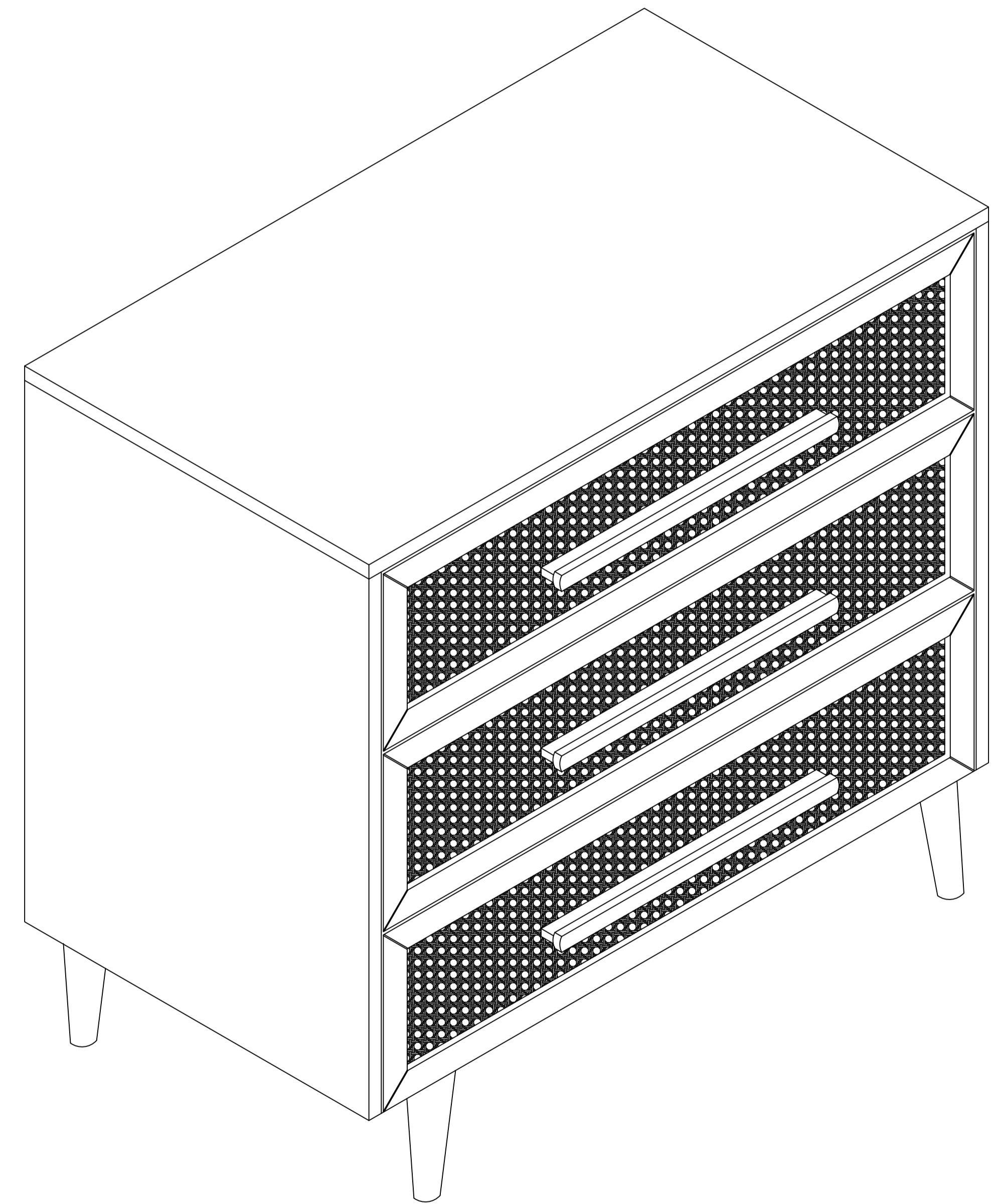


babynest

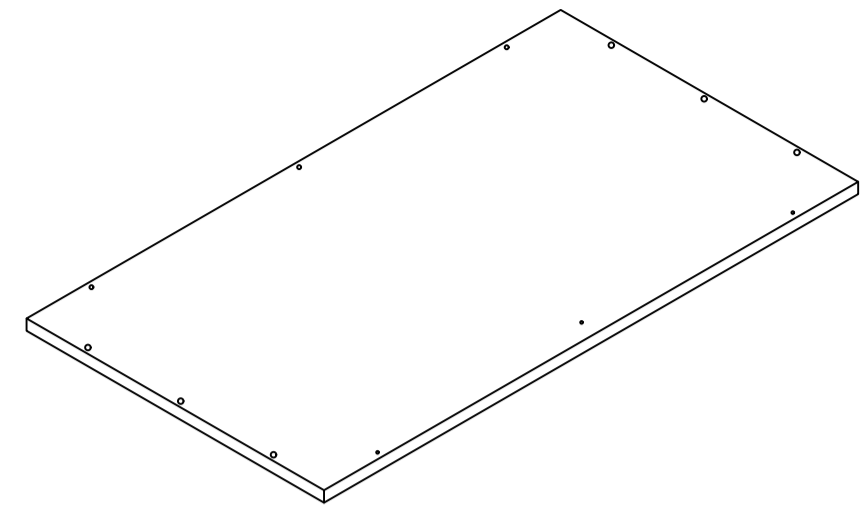
# KAYA CHEST

## Assembly Instructions

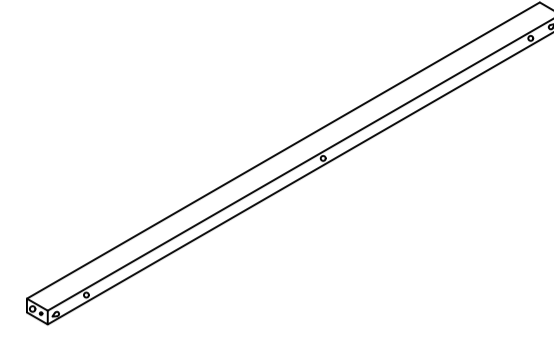


- The manufacturer's assembly instructions must be followed in detail to ensure the safety features of the chest are not compromised.
- To clean the surface, use a damp cloth with water. Do not use window cleaners or cleaning abrasives as this may scratch the surface and could damage the protective coating.

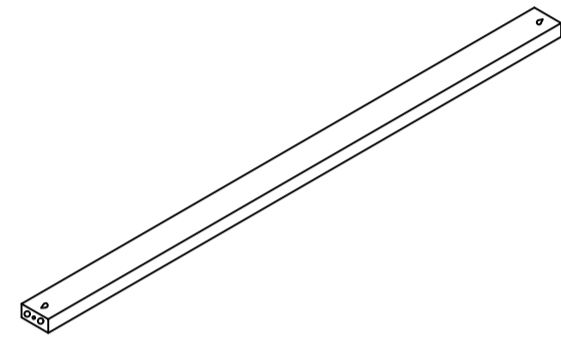
**Box 1/3 Parts**



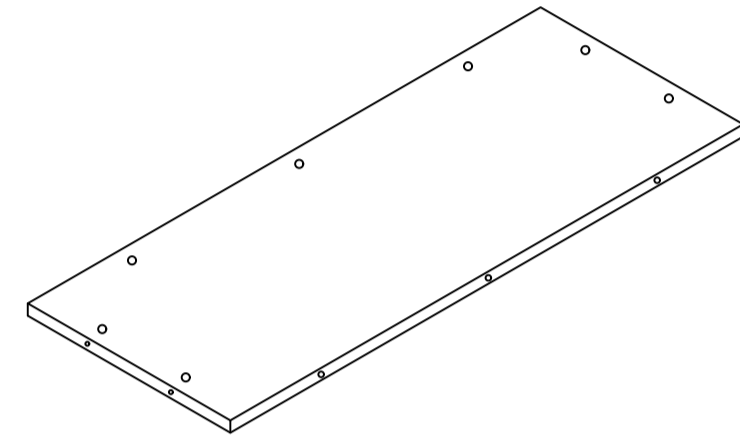
**① TOP PANEL  
(1PC)**



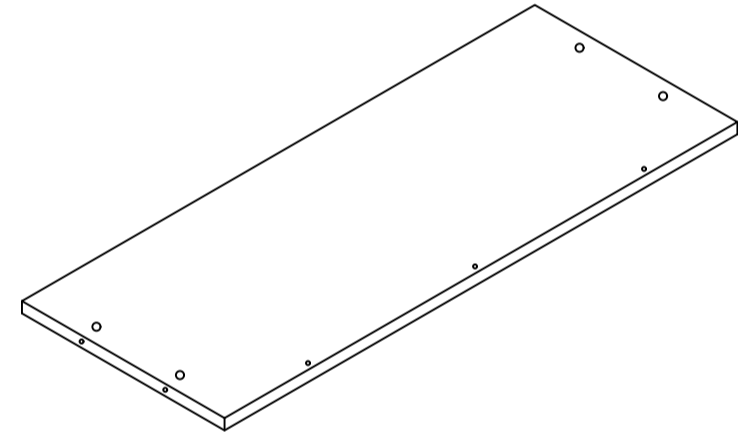
**④ TOP RAIL  
(1PC)**



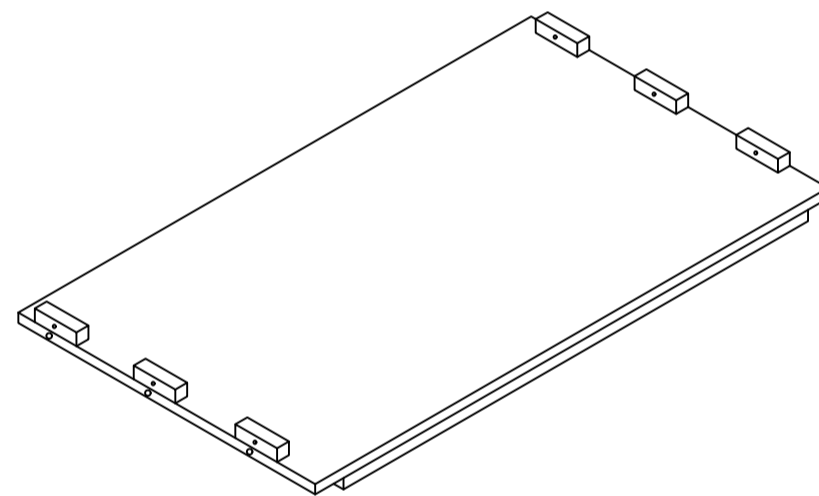
**⑤ CENTER RAIL  
(2PCS)**



**⑥ UPPER BACK PANEL  
(1PC)**



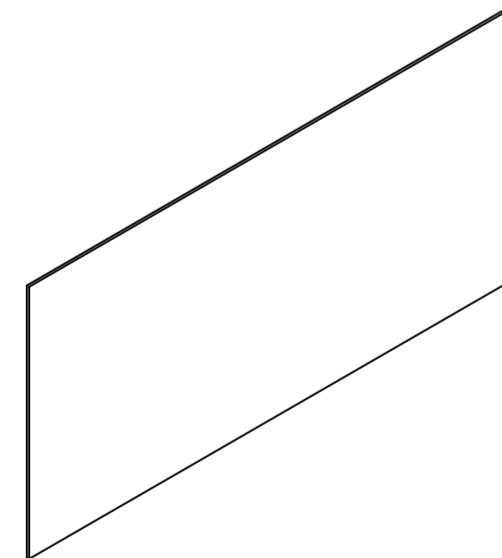
**⑦ LOWER BACK PANEL  
(1PC)**



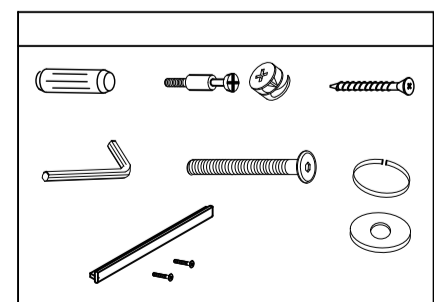
**⑧ BOTTOM PANEL  
(1PC)**



**⑨ LEG  
(4PCS)**

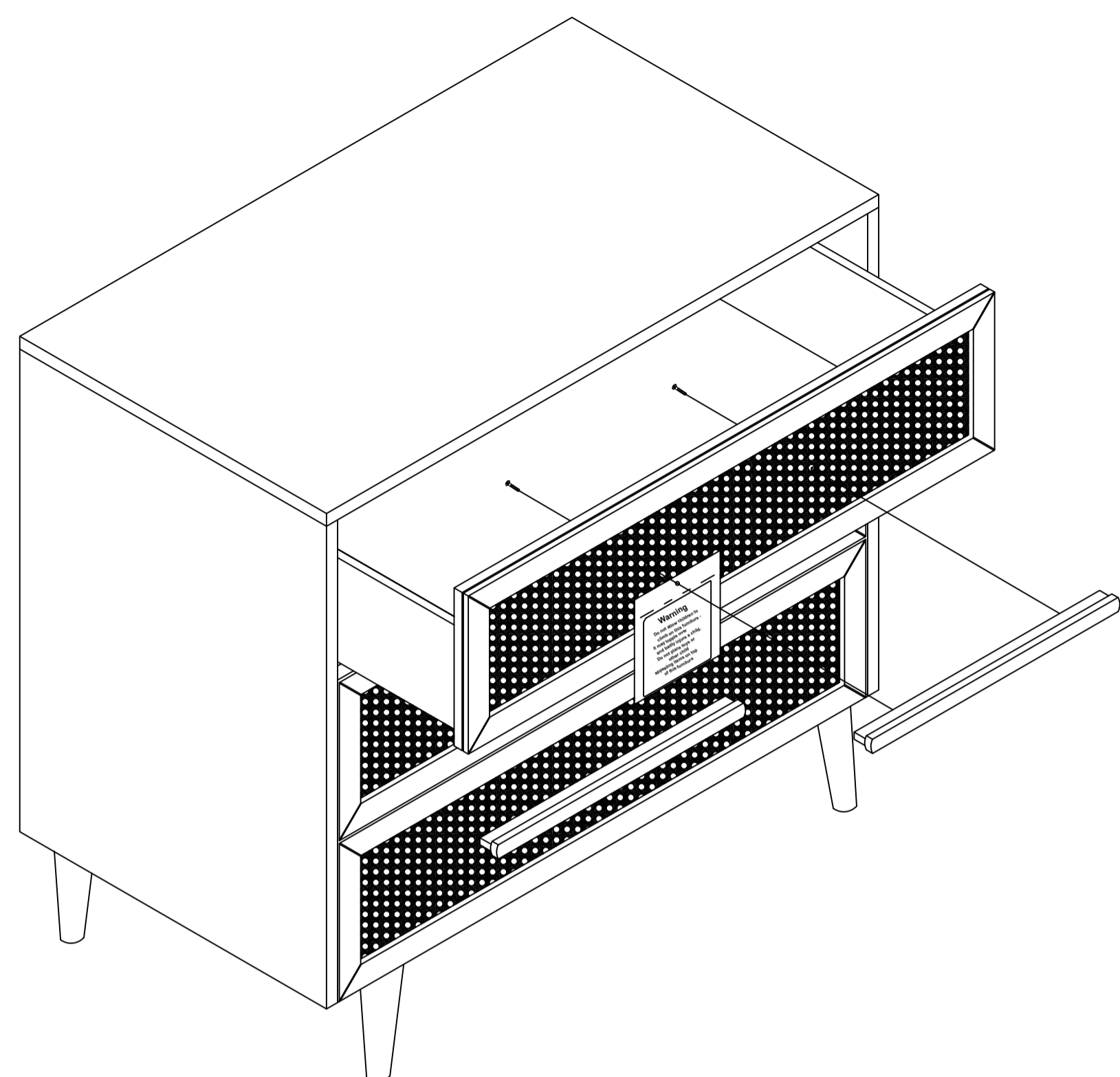


**⑬ DRAWER BASE  
(3PCS)**

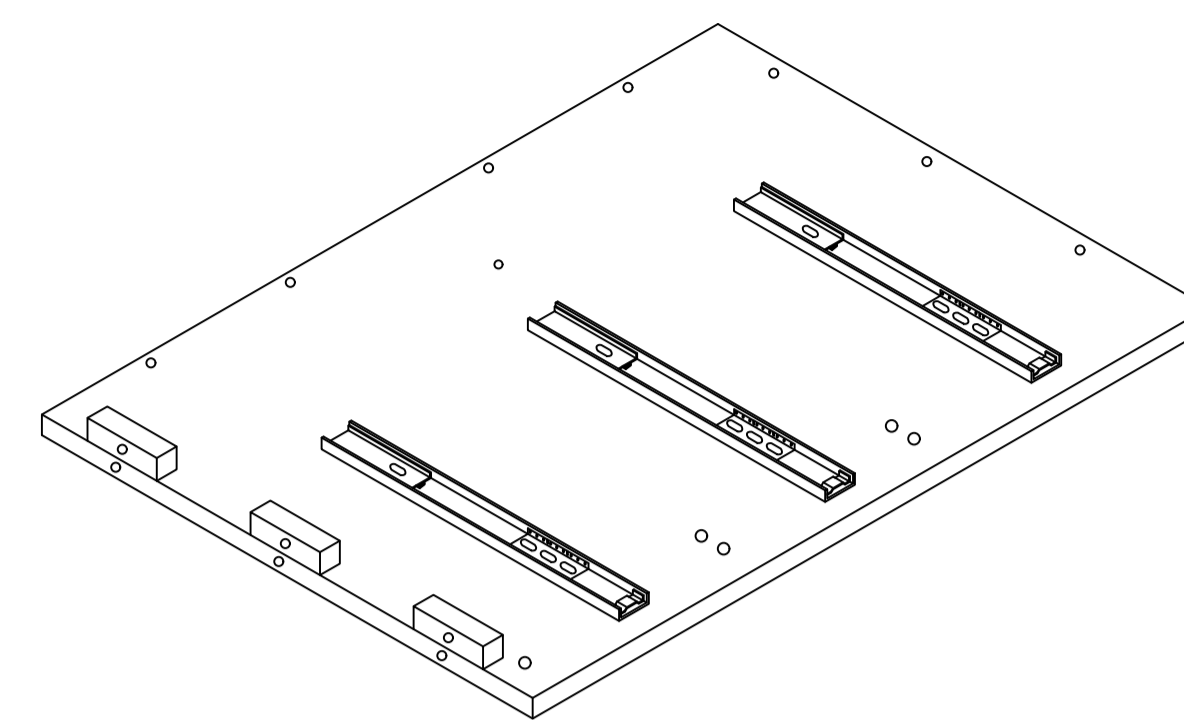


**HARDWARE BAG  
(1PC)**

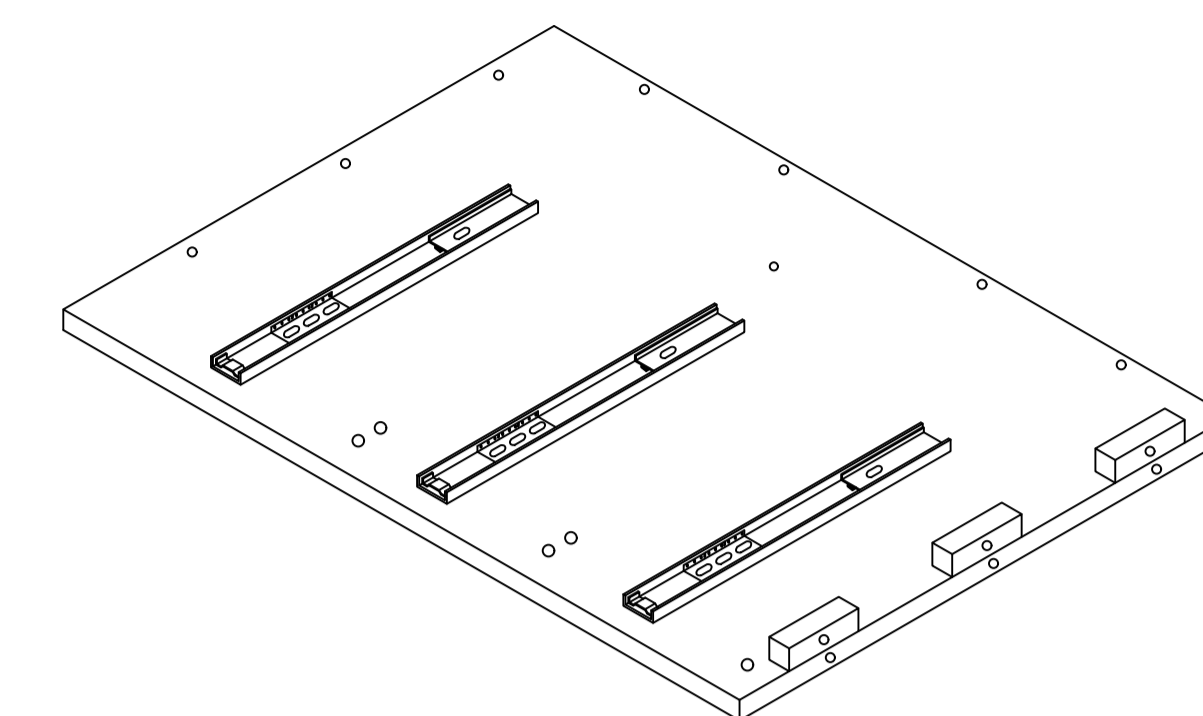
Please place the hangtag on visible area of the chest after complete assembly of the chest



### Box 2/3 Parts

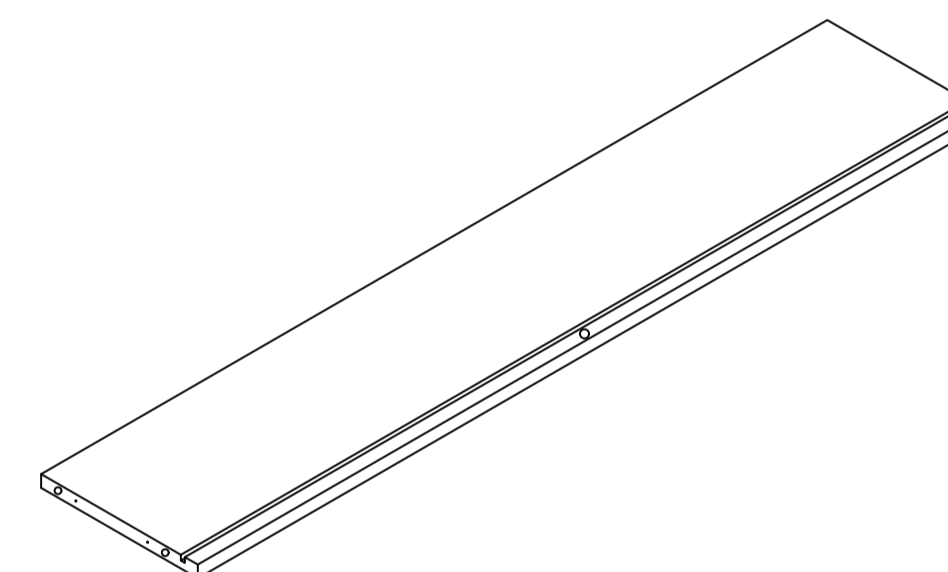


② SIDE PANEL (L)  
(1PC)

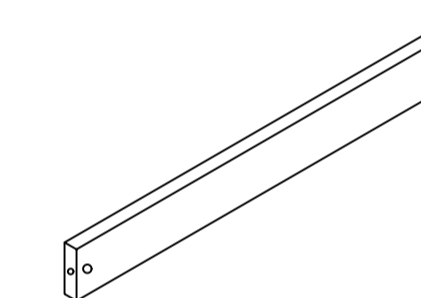


③ SIDE PANEL (R)  
(1PC)

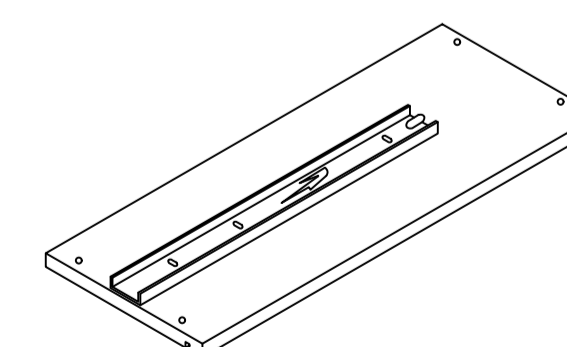
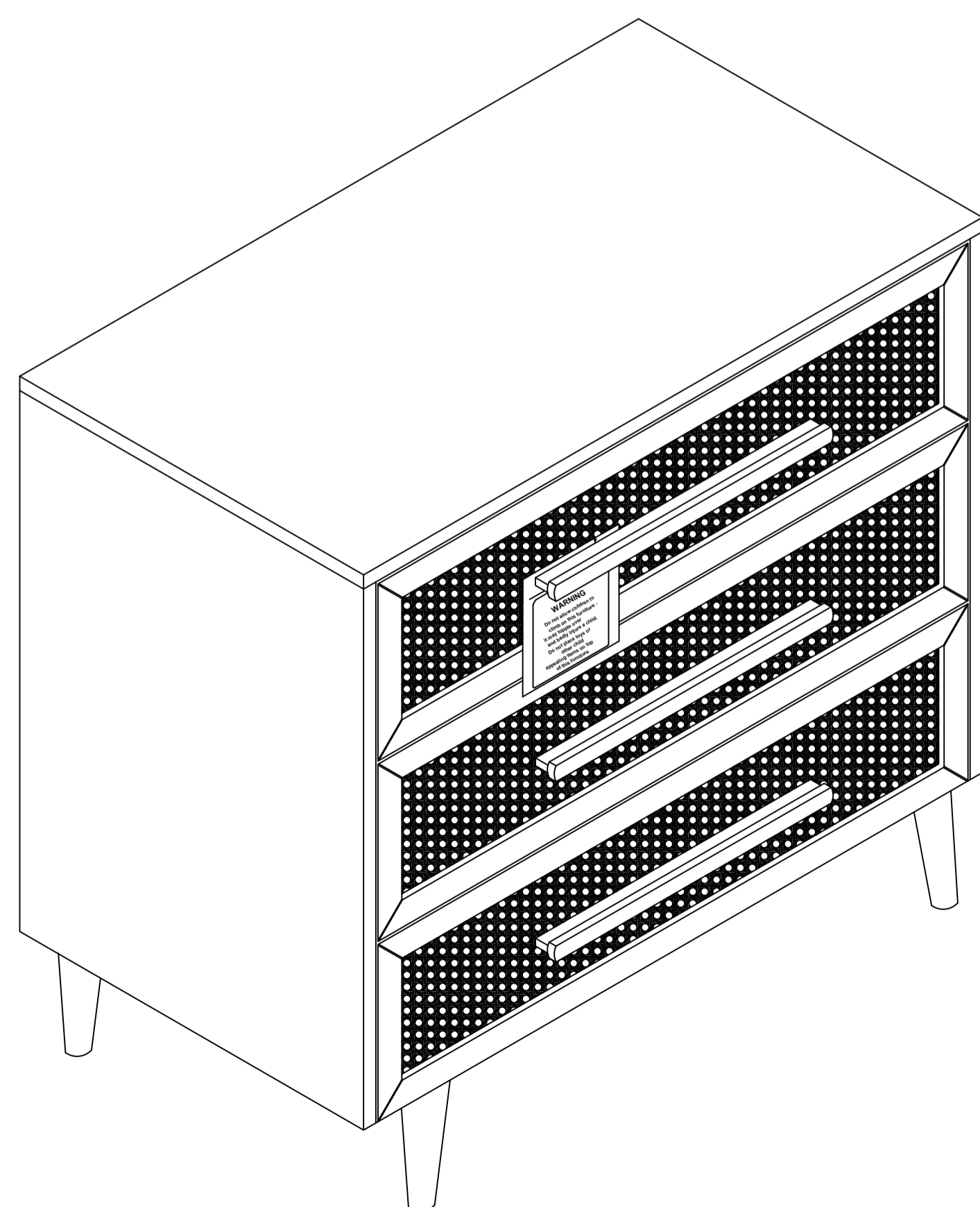
### Box 3/3 Parts



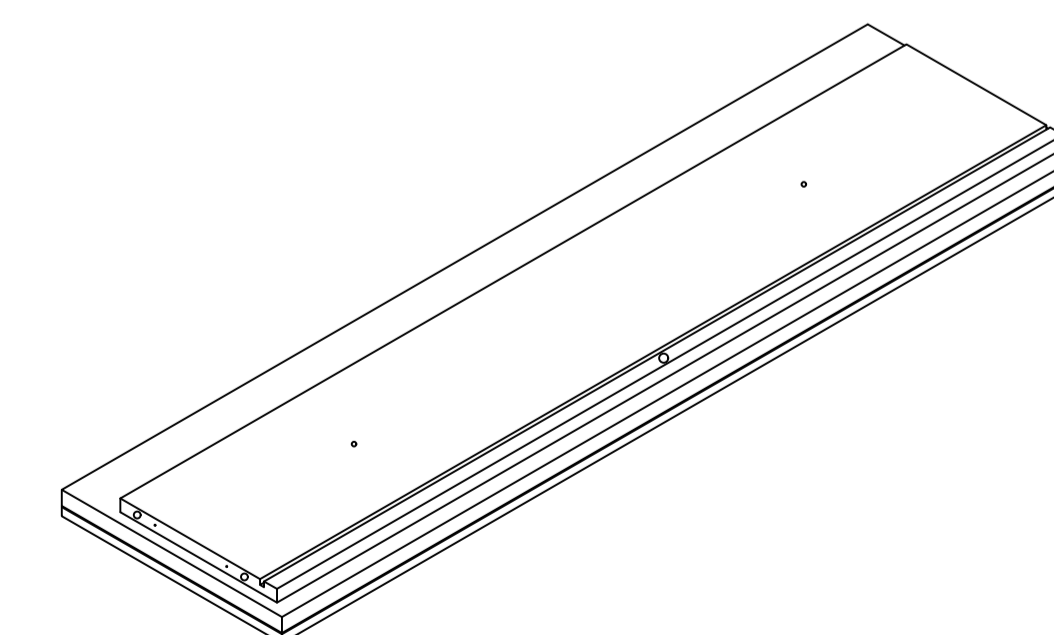
⑩ DRAWER BACK  
(3PCS)



⑪ DRAWER SUPPORT  
(3PCS)



⑫ DRAWER SIDE  
(6PCS)



⑭ DRAWER FRONT  
(3PCS)


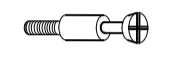

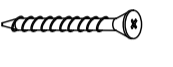

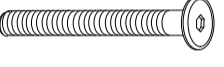


Read this instructions carefully. See hardware and furniture part list for guidance. Be sure all part is complete before you assemble. Place all wooden furniture part on a clean and flat soft surface to prevent from being scratched. Follow the figure to start assembling.


**CAUTIONS:**

1. Do not FULLY-TIGHTEN the nut or nut bolt until all nut or bolt is ready assembled.
2. Do not OVER-TIGHTEN the nut or nut bolt to avoid causing damages to the thread.
3. Keep all hardware part out of reach of children.

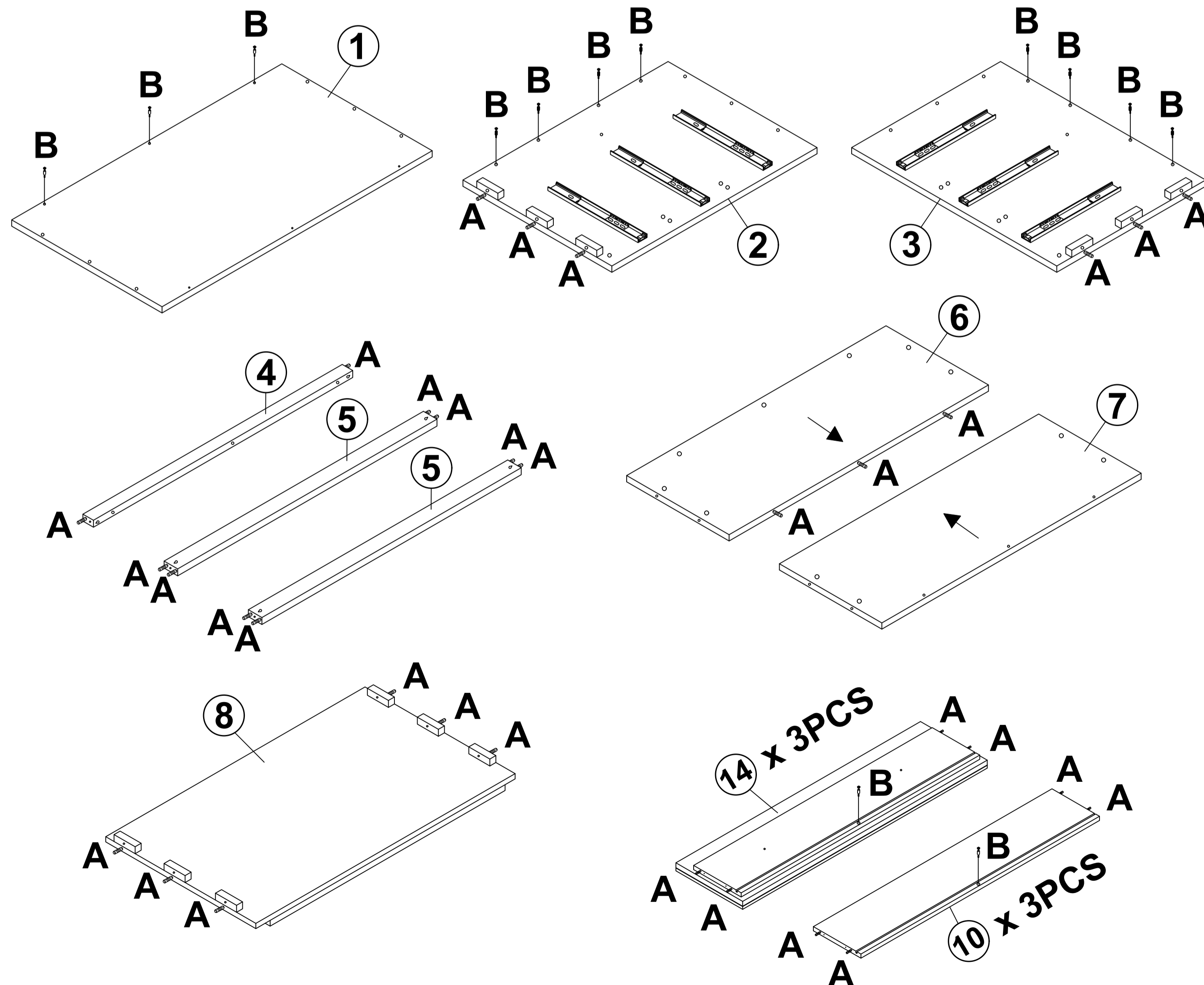
NOTE : THE LIST AND QUANTITY SHOWN ARE FOR 1 UNIT ASSEMBLY.

PART LIST					
NO	DESCRIPTION	QTY	NO	DESCRIPTION	QTY
①	TOP PANEL	1	⑧	BOTTOM PANEL	1
②	SIDE PANEL (L)	1	⑨	LEG	4
③	SIDE PANEL (R)	1	⑩	DRAWER BACK	3
④	TOP RAIL	1	⑪	DRAWER SUPPORT	3
⑤	CENTER RAIL	2	⑫	DRAWER SIDE-3L3R	6
⑥	UPPER BACK PANEL	1	⑬	DRAWER BASE	3
⑦	LOWER BACK PANEL	1	⑭	DRAWER FRONT	3

HARDWARE LIST		
NO	DESCRIPTION	QTY
A	WOOD DOWEL M8 	49
B	MINIFIX 	17
C	MINIFIX CAP 	17
D	SCREW M4 X 32MM 	48
E	ALLEN KEY M4 	1
F	JCBC M6X70MM 	8
G	SPRING & FLAT WASHER G1 G2 	8
H	HANDLE WITH SCREW 	3

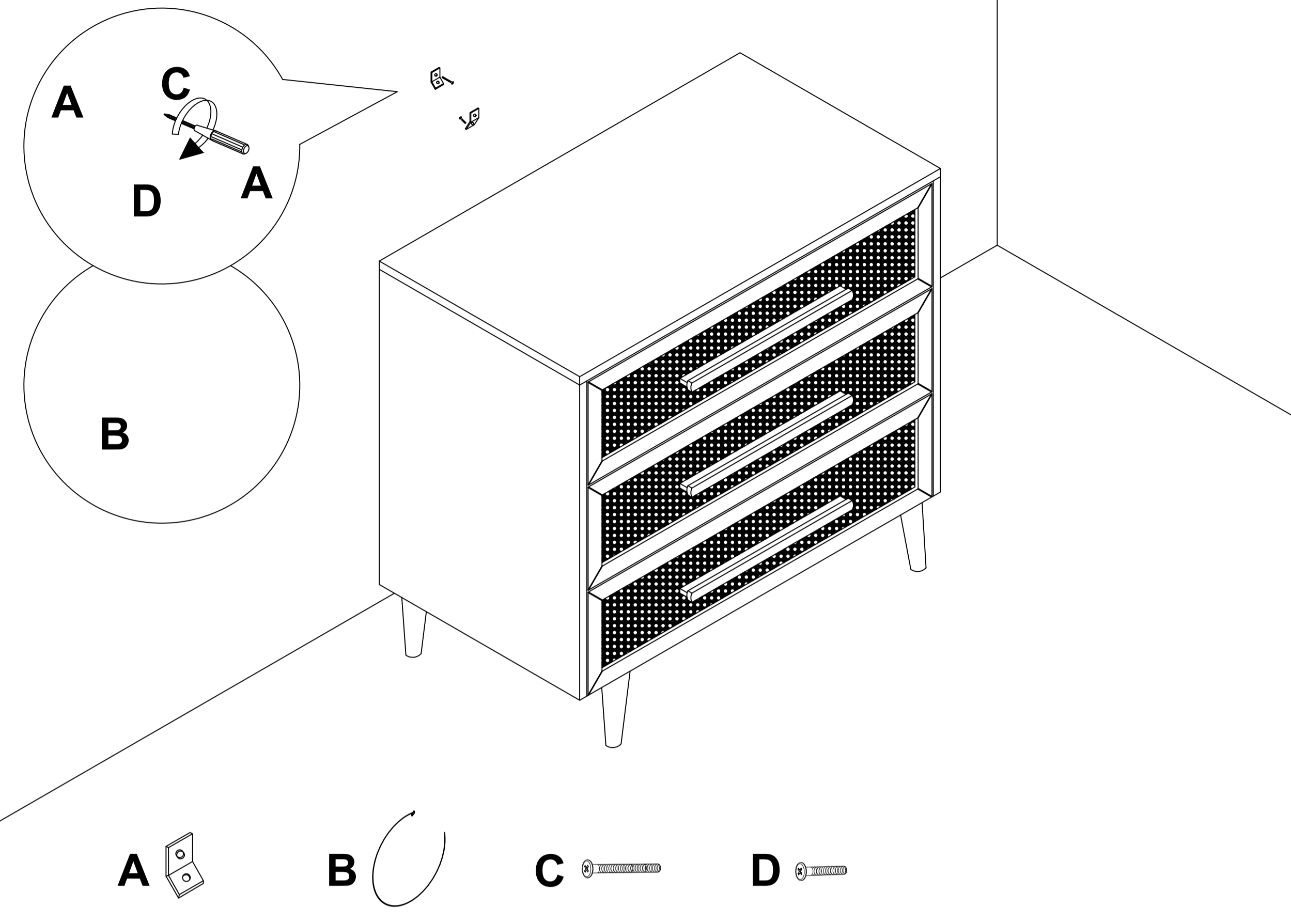
 PHILLIPS SCREW DRIVER REQUIRED. FOR QUICKER ASSEMBLY, WE RECOMMEND THE USE OF A POWER DRILL ON A LOW-SPEED SETTING.

**Step 1 : Attach fittings to timber parts**

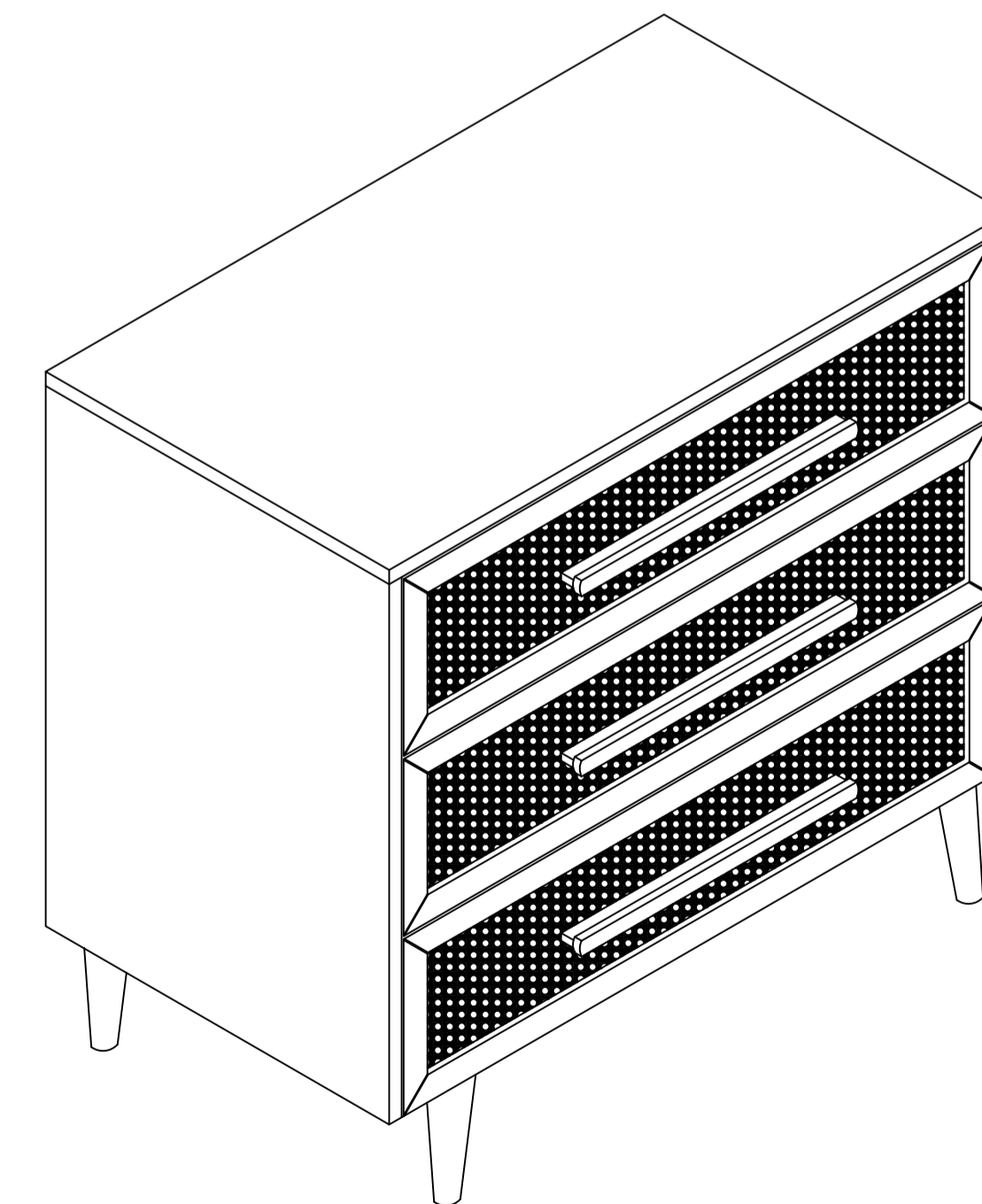


**ANCHORING CHEST**

To anchor your chest, use the anchor kit as seen in the diagram below. Choose a suitable wall fixing that matches your wall style and then fasten the strap to the wall as shown using appropriate fixings.

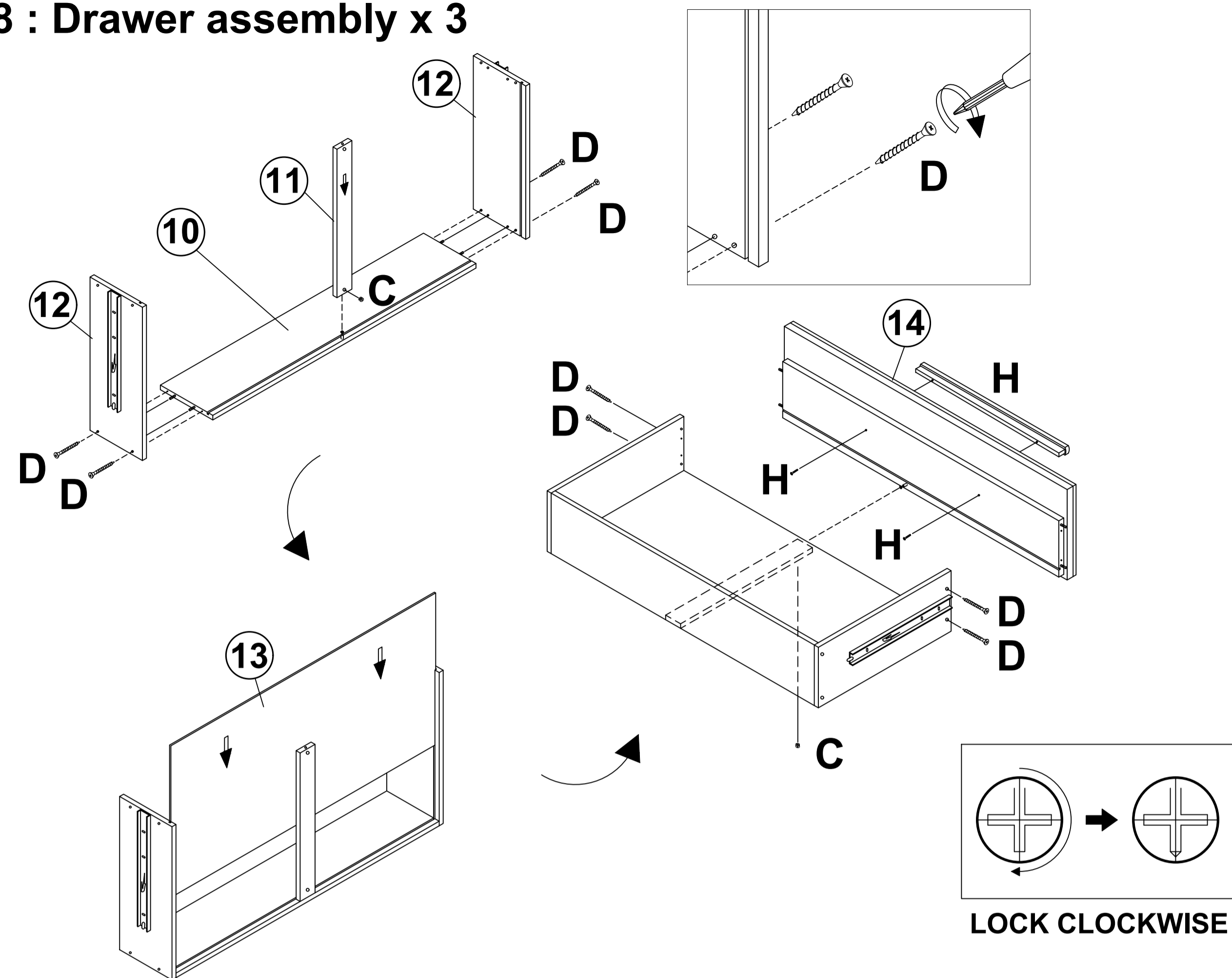


**COMPLETED ASSEMBLY**

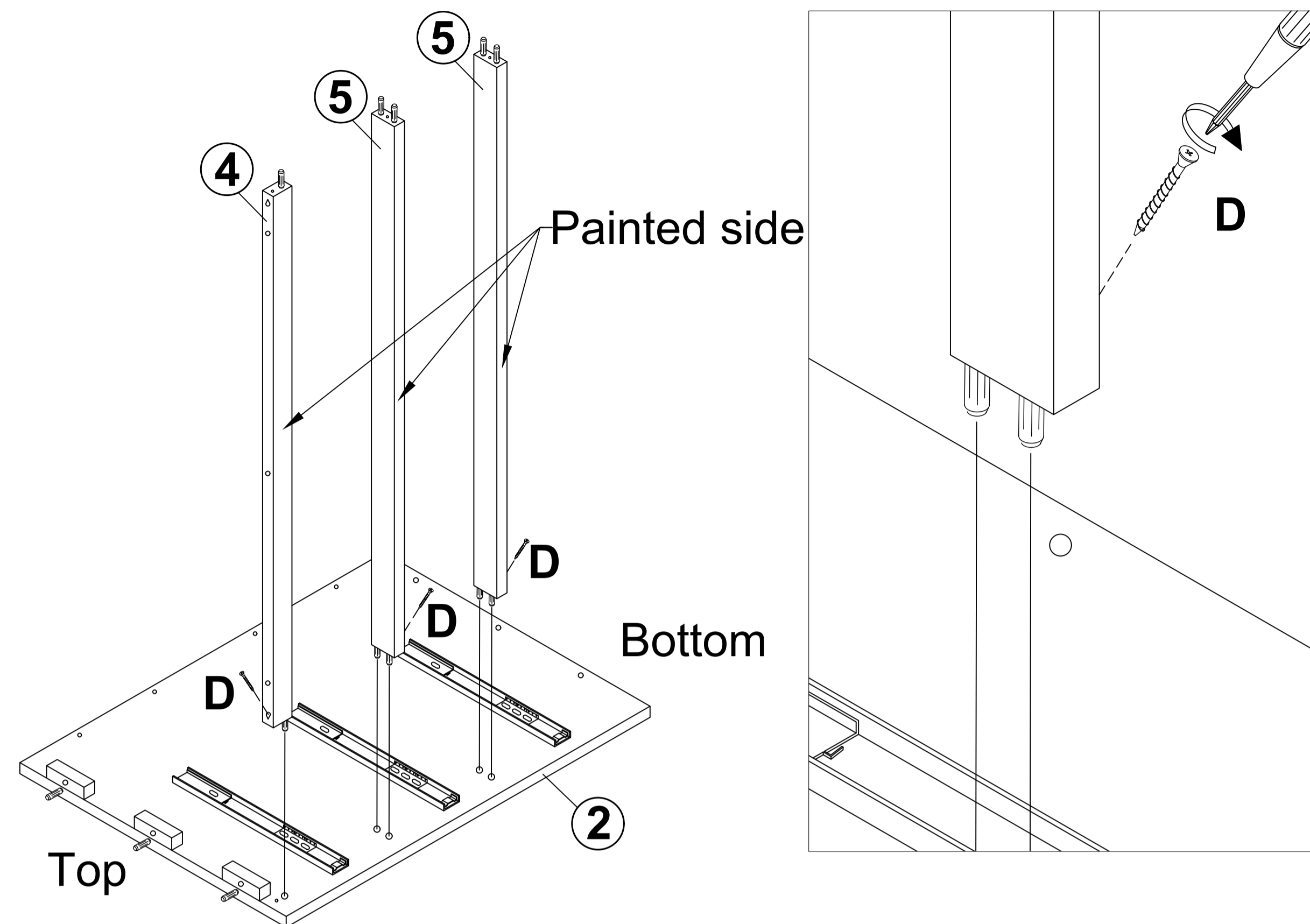


**Babyrest™**  
 by Anstel Brands Pty Ltd  
 36 Sunline Drive  
 Truganina VIC 3029 Australia  
 +61 3 9131 6545  
[info@babyrest.co](mailto:info@babyrest.co)  
 Made in Malaysia

### Step 8 : Drawer assembly x 3

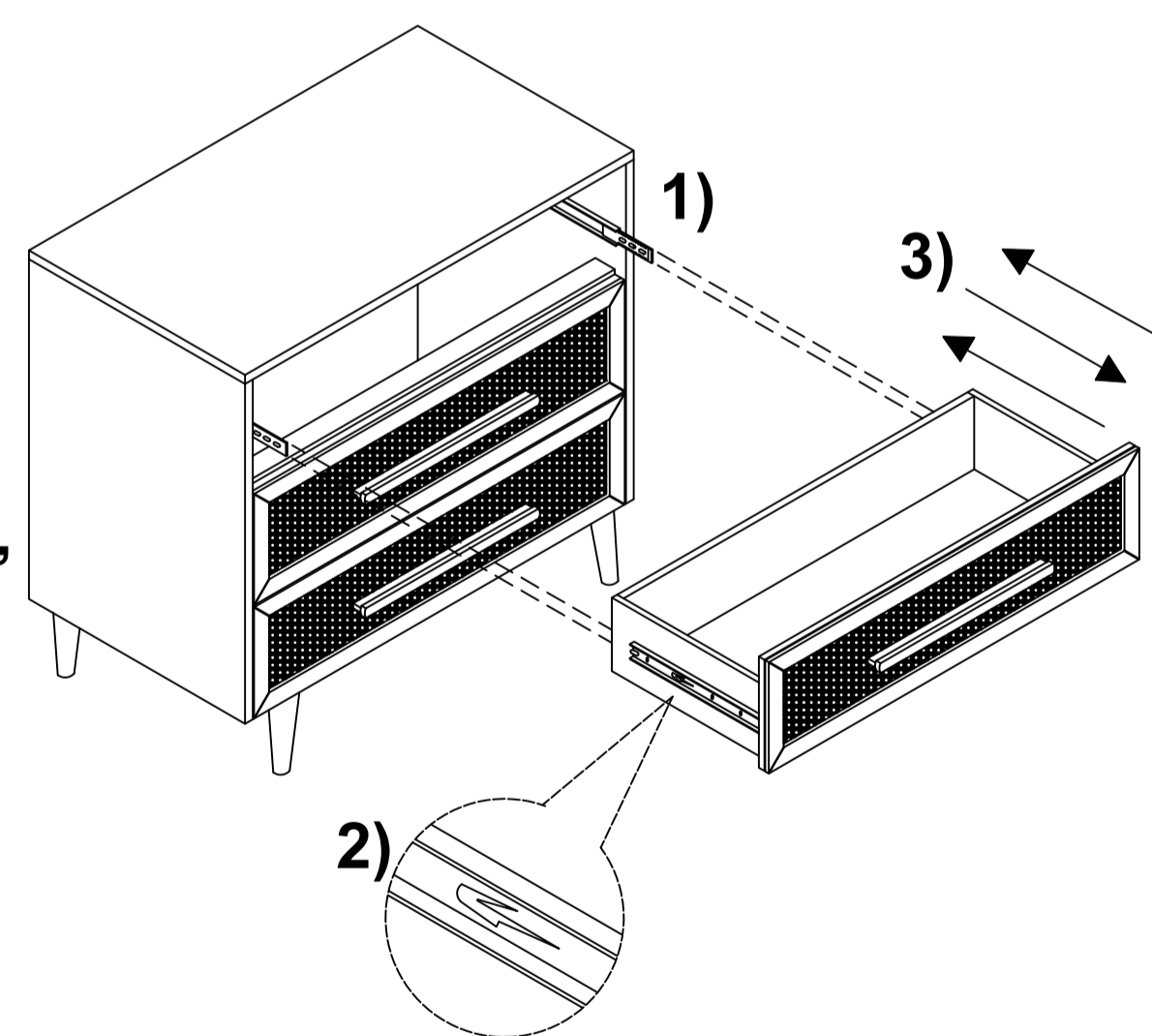


### Step 2 : Fit front bars to Left side panel "2". Make sure matching paint colour is facing front of chest.



### Step 9 : Insert Drawers into Cabinet

- 1) Bring the ball bearing retainer on cabinet forward.
- 2) With help from another person, carefully align and insert drawer slide into cabinet slide, guiding the drawer slide between the ball bearing retainer, as shown
- 3) Push the drawer into cabinet. You may experience a light resistance when pushing the drawer into cabinet, but once both slides are properly engaged, drawer should slide in and out smoothly. Push forward to closed position and then back out again.



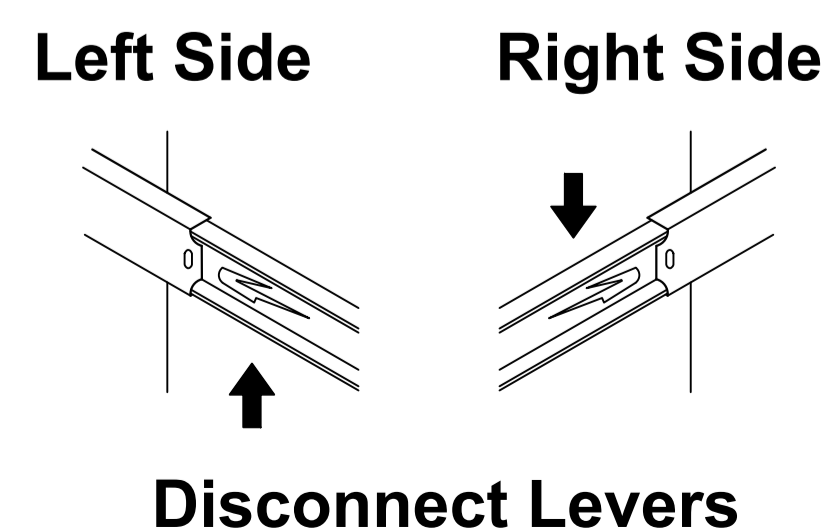
Note.

\*Do not use excessive force to insert drawer as this may cause damage to the slides.

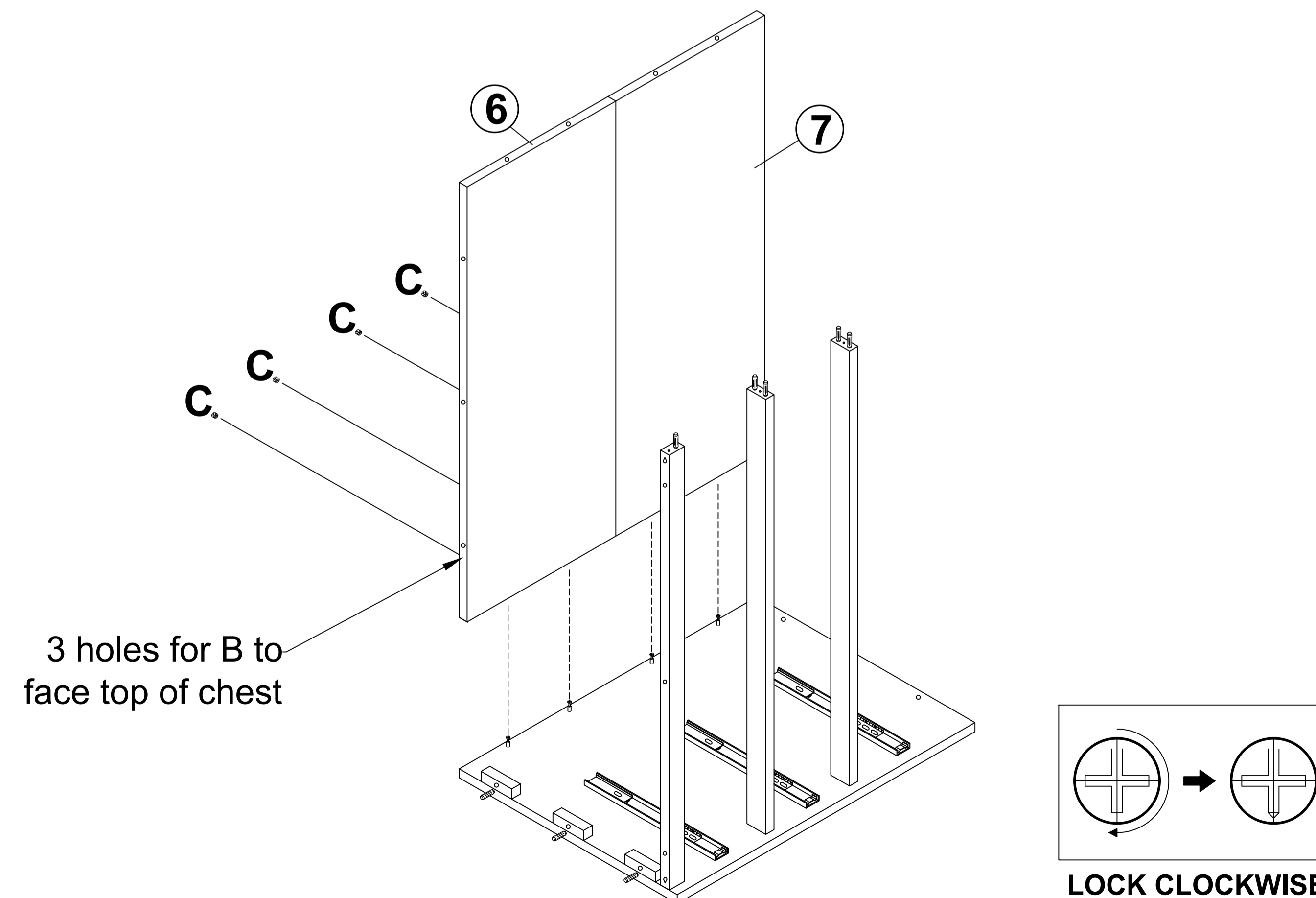
\*Make sure the drawer with warning label is placed in top drawer position.

#### To Remove Drawer, If Needed

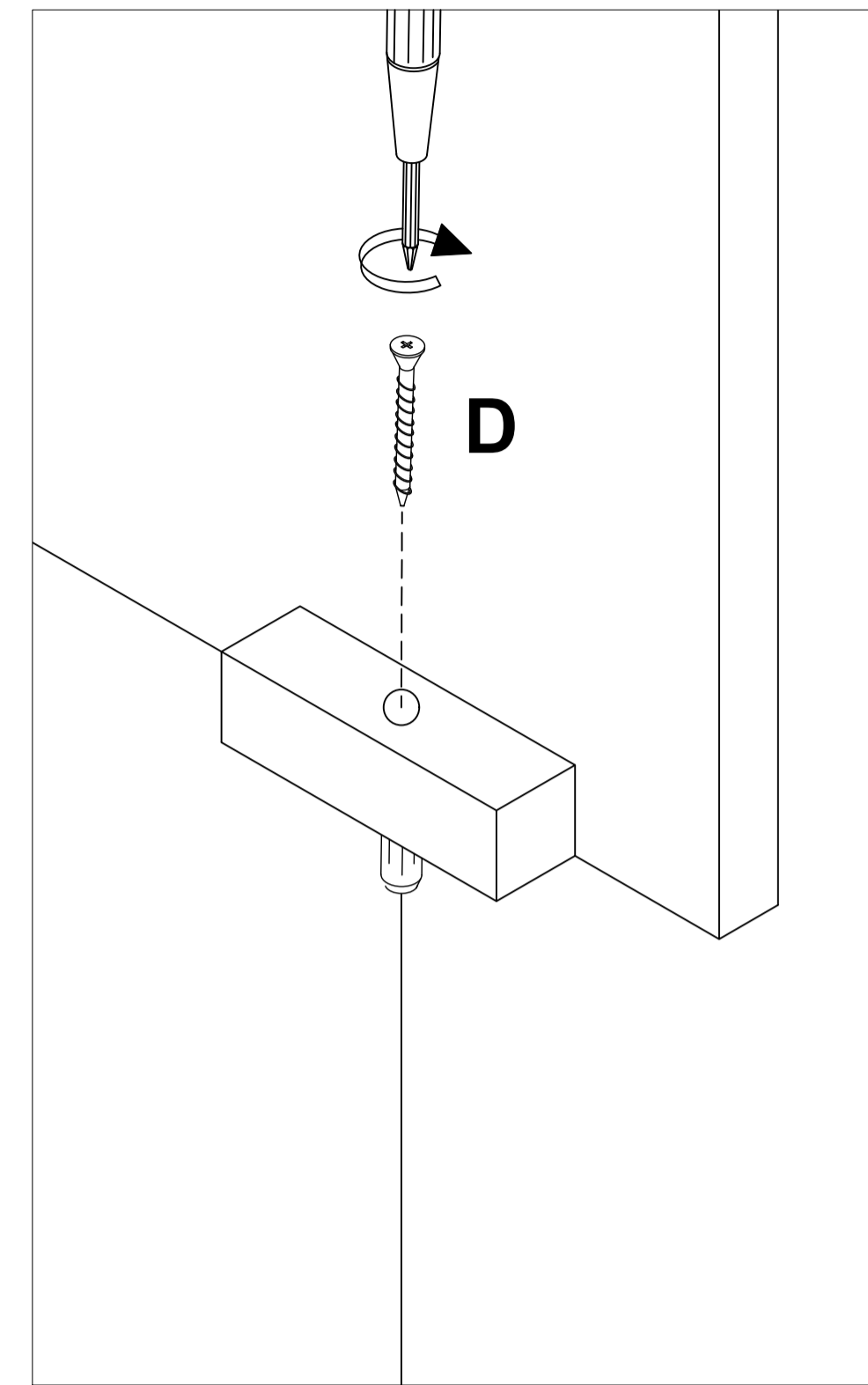
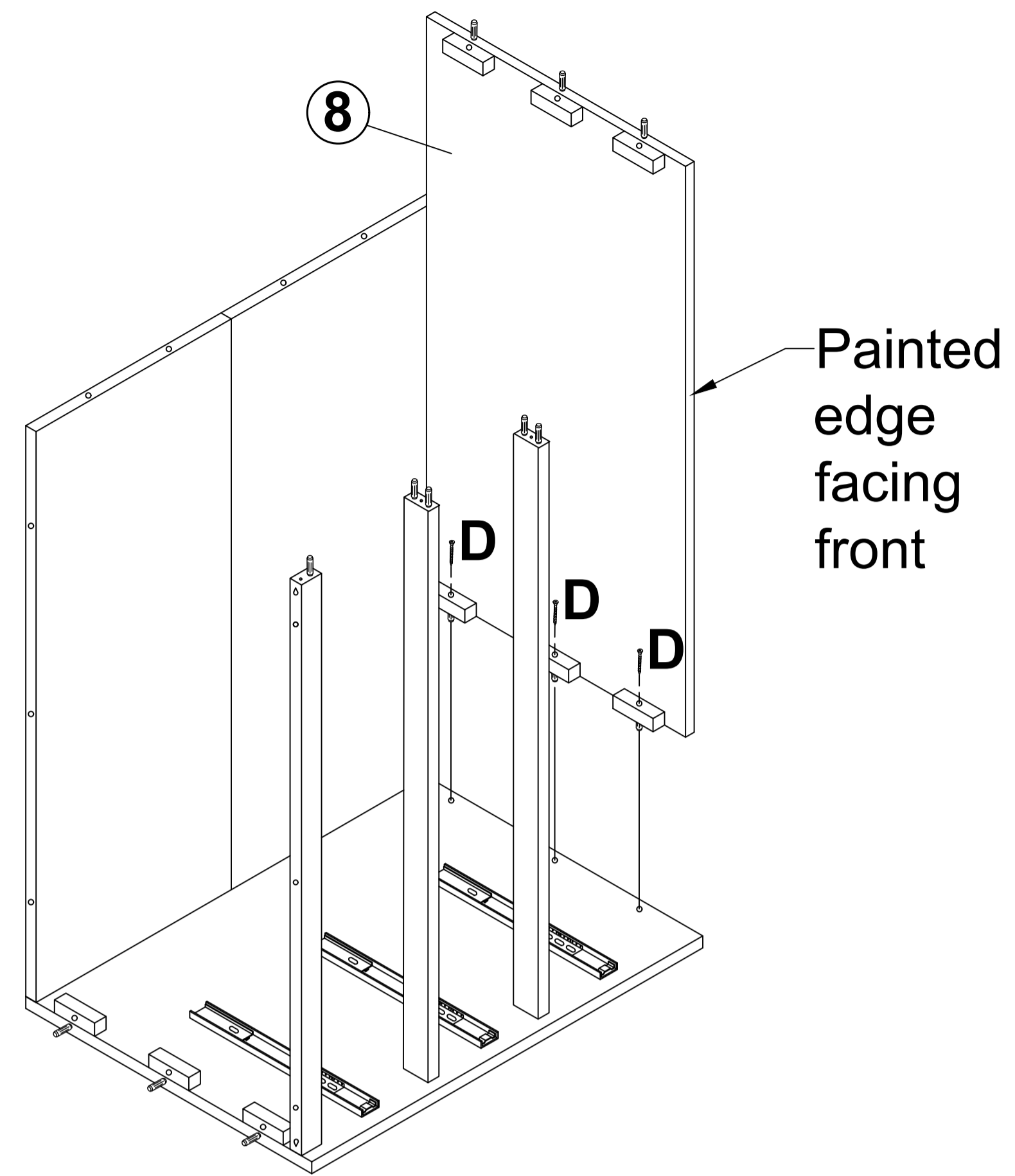
- Pull the drawer fully open so levers are visible.
- Push UP on left side lever and DOWN on right side lever.
- Holding levers in place, pull drawer toward you.



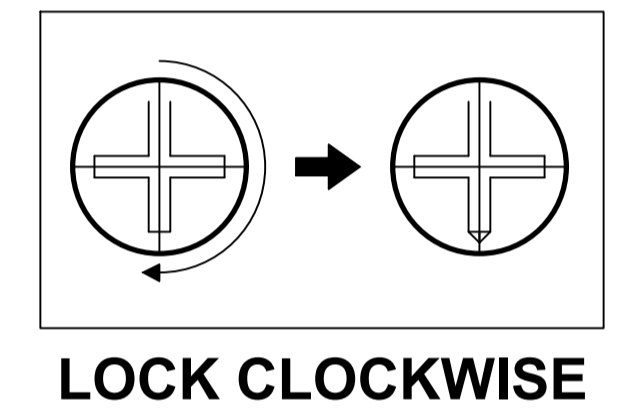
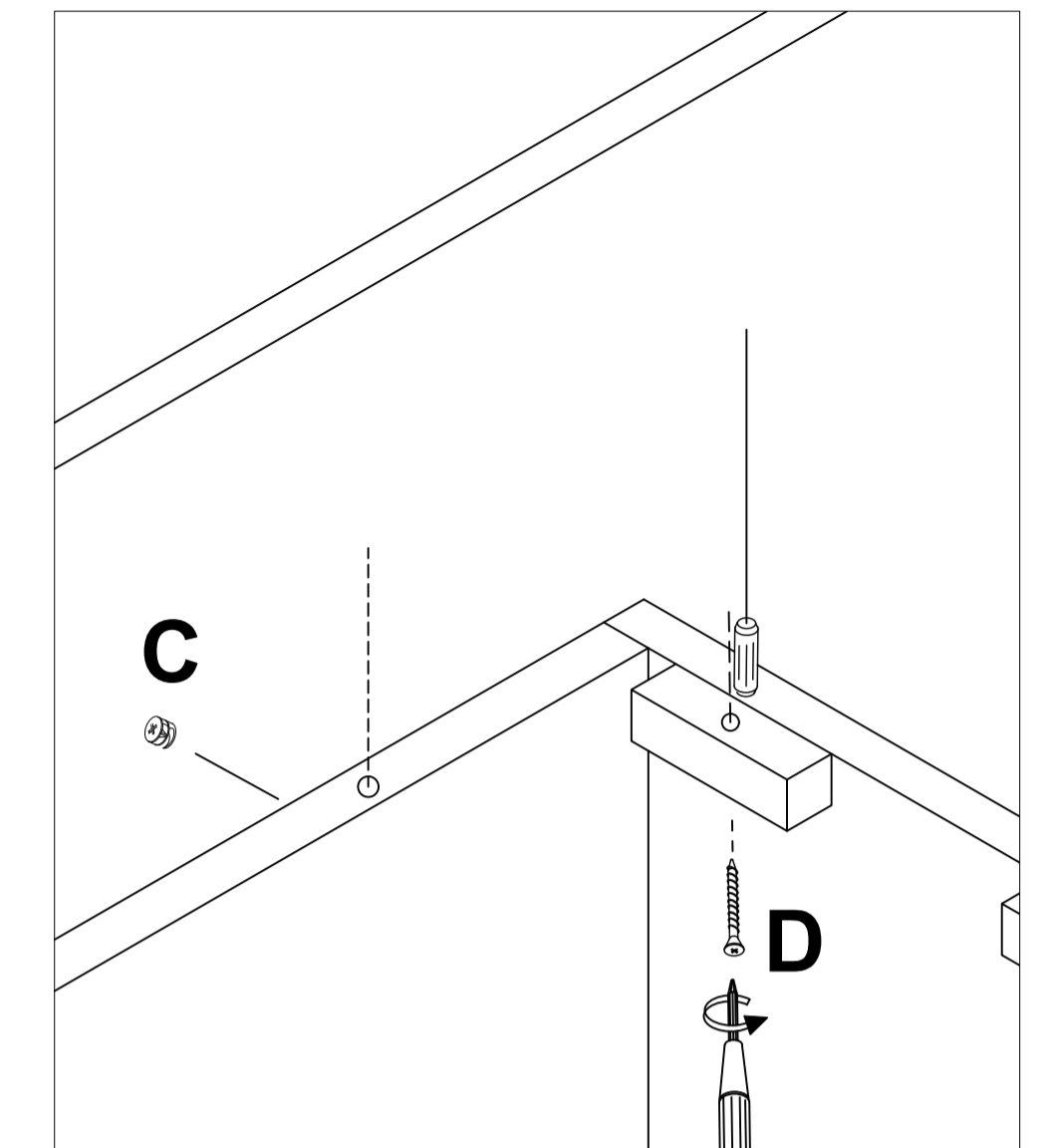
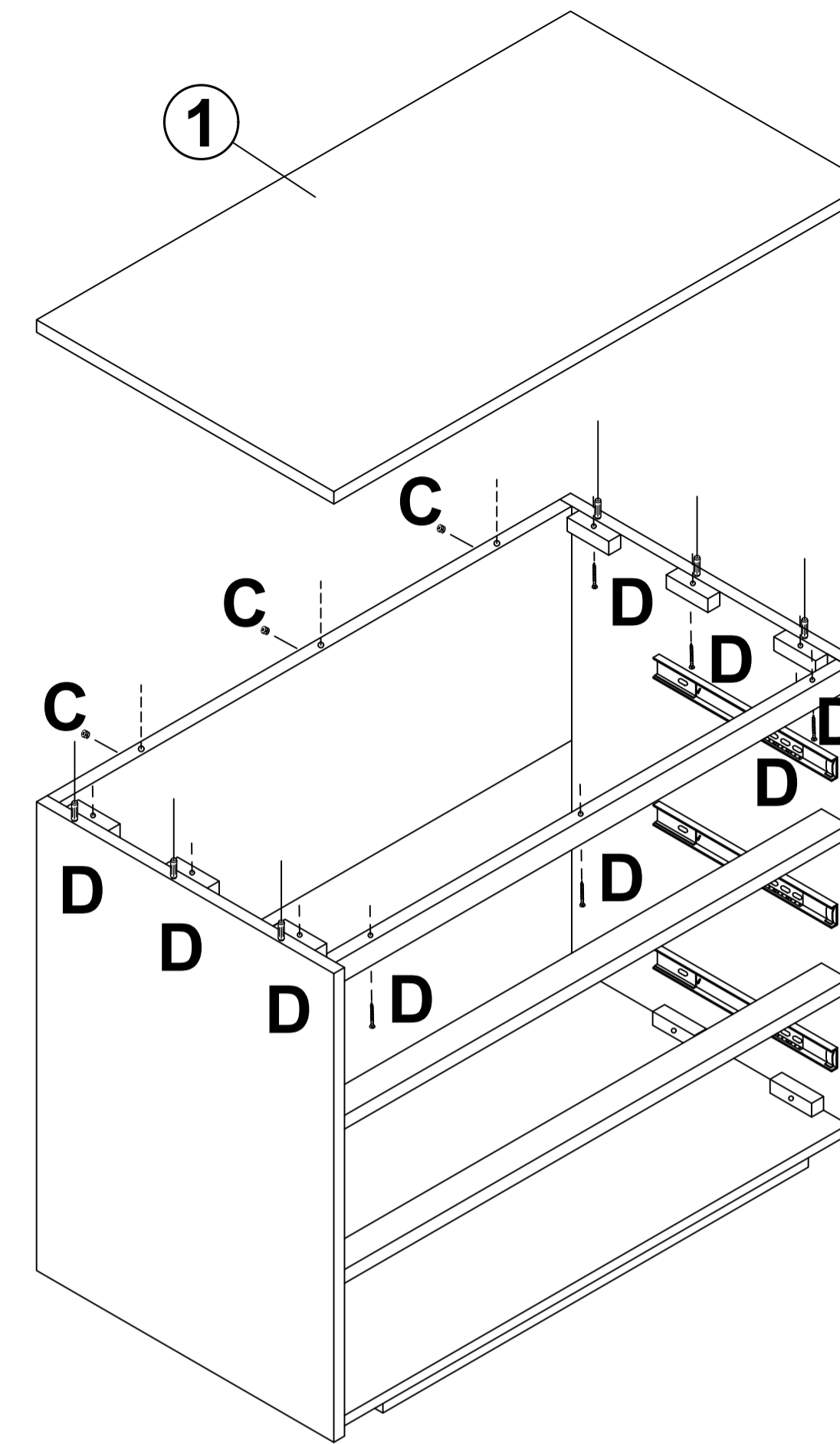
### Step 3 : Attach rear panels "6" and "7"



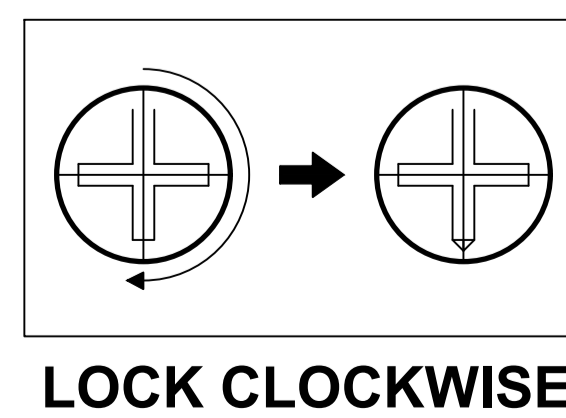
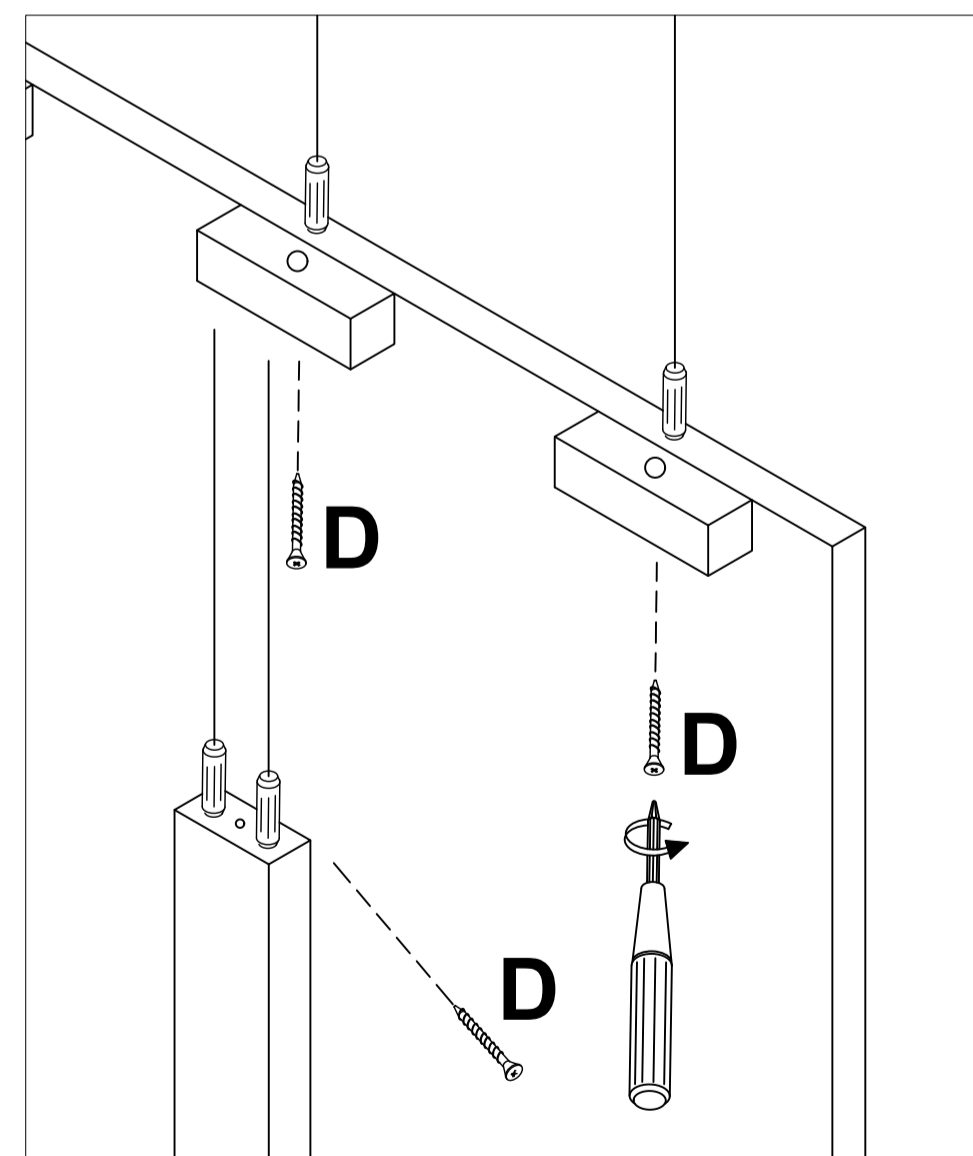
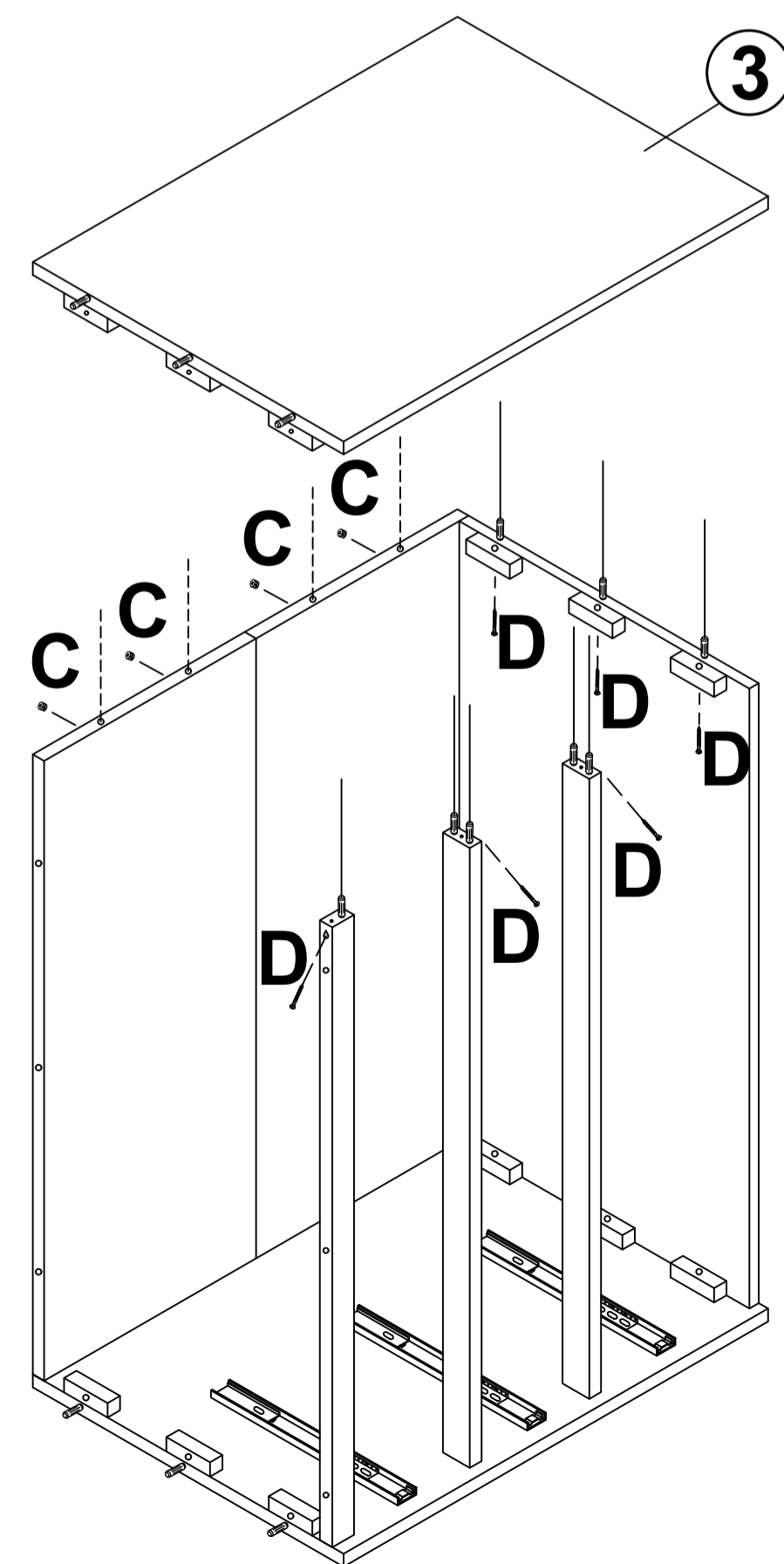
### Step 4 : Attach bottom panel "8"



### Step 6 : Attach top panel "1"



### Step 5 : Attach Right side panel "3"



### Step 7 : Attach feet section

