

UPPAbaby®  
CRUZ

V2



USA  
UPPAbaby, 276 Weymouth Street, Rockland, MA 02370 | [uppababy.com](http://uppababy.com) | 1.844.823.3132

Australia  
Coolkidz Australia Pty Ltd, 33 MacBeth Street, Braeside, Victoria, Australia 3195 | [uppababy.com](http://uppababy.com) | 1300 722 302

Model 0420-CRZ-AU

All rights reserved. © 2019 UPPAbaby. UPPAbaby and all associated logos are trademarks. All product specifications are correct at time of print. UPPAbaby reserves the right to change anything at any time without prior notice. Color representation is as close as print processes allow. Not all colors available at all retailers. **U6MAN018-V04**

## TABLE OF CONTENTS

Warnings + General Safety Information	2
Cleaning + General Maintenance	3
Product Overview	4
Opening Stroller	6
Attaching/Removing Back Wheels	6
Attaching/Removing Front Wheels	7
Locking/Unlocking Swivel Wheel	7
Removing Canopy	8
Adjusting Canopy Height	8
Using Canopy	8
Attaching/Removing Bumper Bar	9
Applying Brake	10
Front/Rear Facing Seat Operation	11
Adjusting Footrest	12
Reclining Seat	12
Adjusting Handlebar Height	13
Adjusting Shoulder Harness Height	14
Buckle Operation	14
Adjusting Harness	15
Folding Stroller	16
Removing Seat Fabric	18
Removing Canopy Fabric	20
Removing Basket Fabric	22
Correct Use of Tether Strap	23
Limited Warranty	24

## WARNINGS + GENERAL SAFETY INFORMATION

KEEP THESE INSTRUCTIONS FOR FUTURE REFERENCE

Please read this manual carefully before using this stroller. Failure to follow instructions properly may result in serious injury to your child.

### **! WARNING**

#### **TO AVOID INJURY OR DEATH:**

#### **ALWAYS APPLY THE BRAKES WHENEVER THE STROLLER IS STATIONARY.**

- **DO NOT LEAVE CHILDREN UNATTENDED.**
- **SECURE THE CHILD IN THE HARNESS AT ALL TIMES.**
- **DO NOT CARRY EXTRA CHILDREN OR BAGS ON THIS STROLLER.**
- **MAKE SURE CHILDREN ARE CLEAR OF ANY MOVING PARTS IF YOU ADJUST THE STROLLER.**
- **ALWAYS USE THE TETHER STRAP TO PREVENT THE STROLLER FROM ROLLING AWAY.**
- **USE THIS HARNESS AT ALL TIMES.**

- The UPPAbaby CRUZ stroller is suitable from 6 months and designed to accommodate a child up to a weight of 22.7 kg (50 lbs) and a height of 101 cm (40"). Excessive weight may cause a hazardous unstable condition to exist. The product will become unstable if the manufacturer's recommended load is exceeded.
- Maximum weight for the storage basket is 13.6 kg (30 lbs).
- Unit may become unstable if the manufacturer's recommended load is exceeded, or if a parcel bag, accessory, or rack other than that recommended by the manufacturer is used or hung from the unit.
- Any load attached to the handle affects the stability of the stroller.
- **DO NOT** make any alterations or modifications to the product with parts not supplied by the manufacturer, as this may cause instability or structural damage not covered under warranty.
- This toddler seat is for use with UPPAbaby CRUZ strollers only.
- **DO NOT** use this seat with any other model of stroller.
- Ensure that all the locking devices are engaged before use.
- It is unsafe to use accessories other than those approved by UPPAbaby.
- Extreme care should be taken if the stroller is used on stairs or an escalator.
- The stroller should not be used near an open fire or exposed flame.
- Always use the crotch strap in combination with the waist belt and shoulder belts.
- **NEVER** leave safety harness connected when not fitted to a child in the stroller, as this may create loops that could cause a strangulation hazard.
- The brake must be locked while taking the child in or out of the stroller, and when parked.
- The stroller is designed for use on flat or gently sloping surfaces and may be unstable on higher sloping and uneven surfaces and could tip over if on sloping, unstable or uneven surfaces.
- Bumper bar must be attached at all times.
- **DO NOT** lift the stroller by the bumper bar as it may disengage.
- The canopy for the seat is not intended to retain the child.
- Children and adults should be clear of moving parts while making stroller adjustments. If not properly executed, damage to fingers or extremities may occur when opening or closing the stroller frame.
- Make sure latch on left side of stroller is properly engaged before lifting or carrying the vehicle.
- Children should not be left unattended in the product with rain shield fitted.
- The stability of the product will be impaired in high winds with the rain shield fitted and should be steadied by an adult at all times.
- Rain shield must be removed when indoors and in hot weather to prevent overheating and possible risk of suffocation.

Manufactured to comply with AS/NZS 2088:2013 and TPA 1974 NO. 8 Consumer Product Safety Standards for Prams and Strollers.

## CLEANING + GENERAL MAINTENANCE

#### **CLEANING:**

- Clean chassis with a damp cloth and a mild detergent; dry thoroughly. **DO NOT** use abrasives.
- If the chassis parts have been exposed to salt water we recommend that they be rinsed with fresh (tap) water as soon as possible to avoid corrosion. Always dry frame if wet.
- All fabrics are removable.
- To extend the life of your product's fabric, keep it clean and do not leave it in direct sunlight for long periods of time.
- **DO NOT** fold or store the product if it is damp or wet, nor store in a damp environment.

#### **MAINTENANCE AND REPAIR:**

- This product requires user inspection and maintenance regularly. Check all connecting hardware (rivets, screws, etc.) for tightness and security. Inspect all brakes, tires, seat harnesses and locks for correct operation. Seek prompt repairs or replacements as needed and never continue using the product if it is structurally not safe.
- Only UPPAbaby replacement parts should be used. It may be unsafe to use parts supplied by another manufacturer.
- Contact Customer Service with any repair questions.

#### **CLEANING SEAT AND BASKET FABRICS**



Spot clean or hand wash in cold water with mild detergent. **DO NOT** bleach.



Dry flat and away from direct sunlight before re-use or storage.



**DO NOT** iron or dry clean.

#### **CLEANING LEATHER BUMPER BAR COVER AND CANOPY**

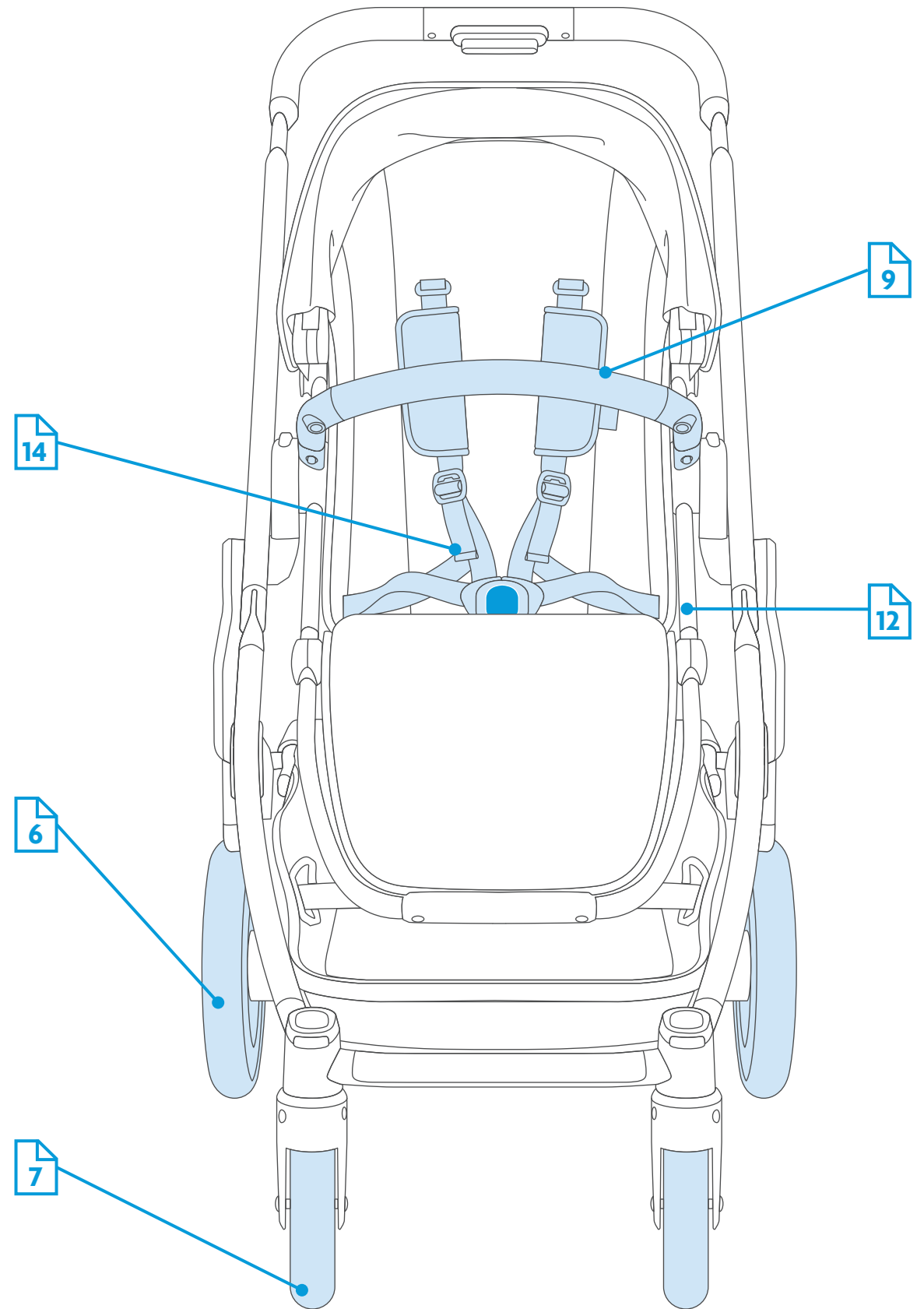
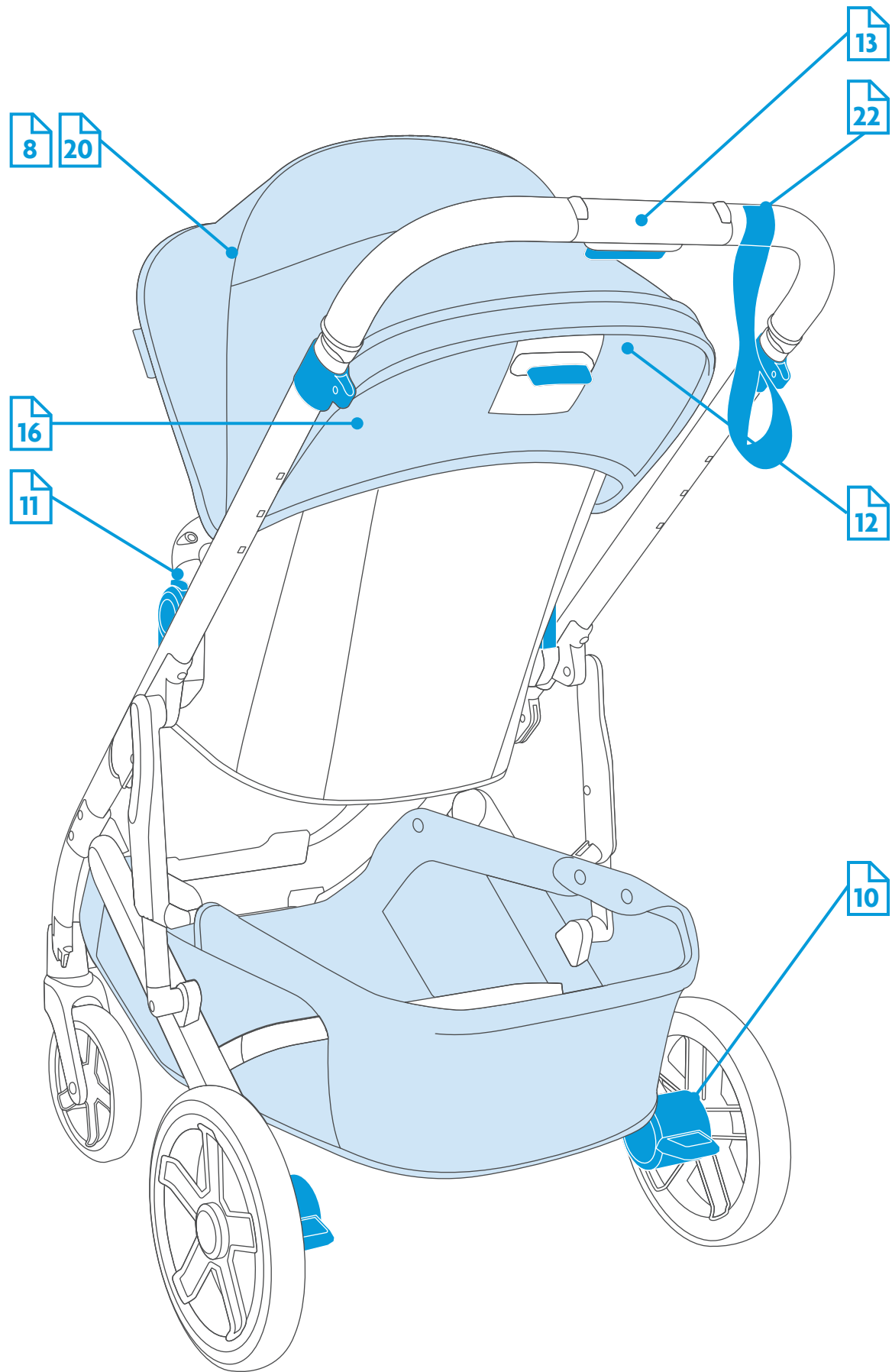


Spot clean with a damp cloth. **DO NOT** wet excessively.

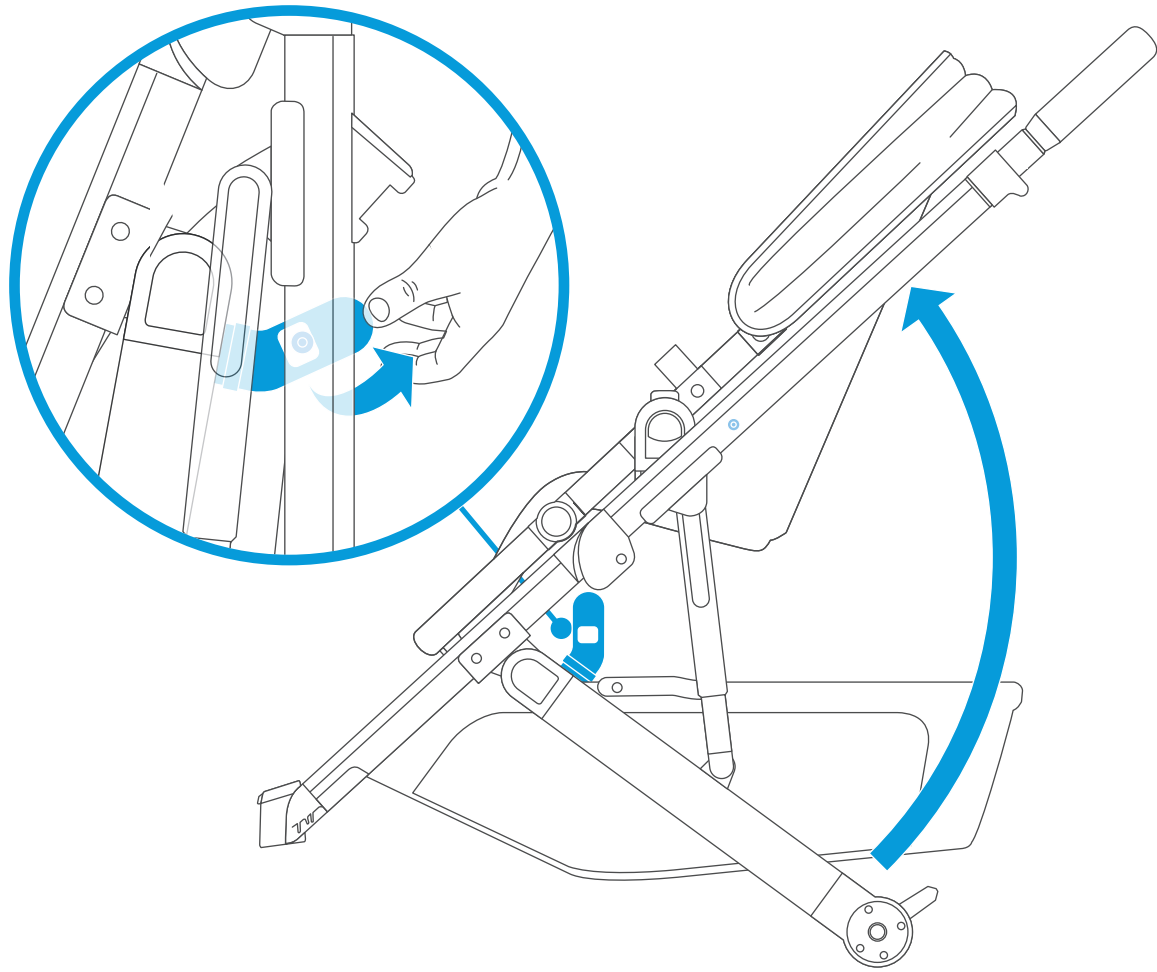


**DO NOT** iron or dry clean.

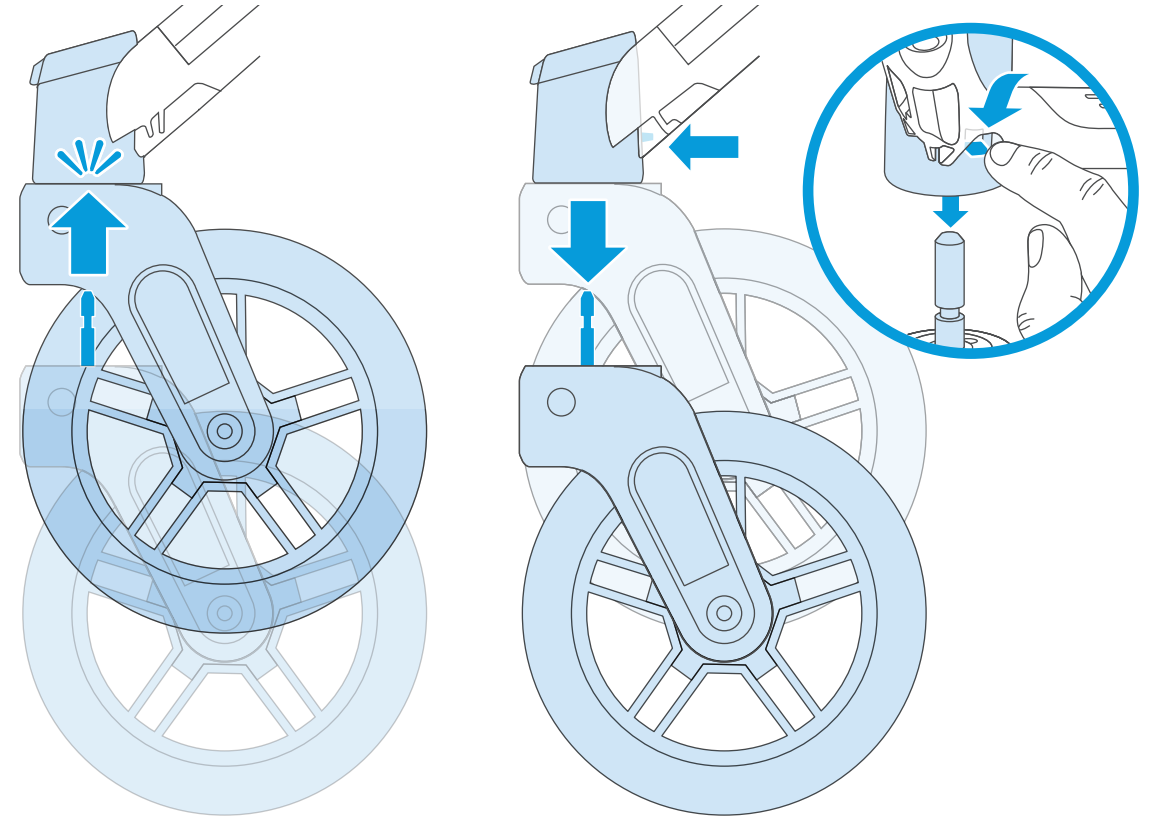
PRODUCT OVERVIEW



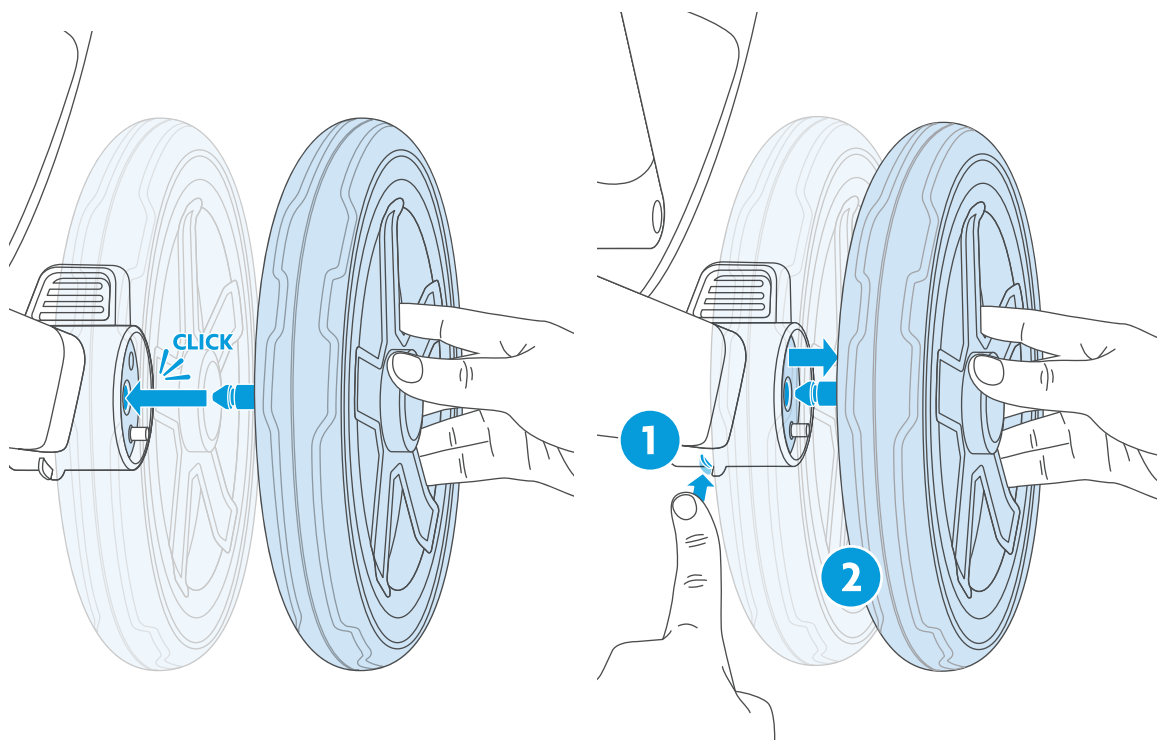
### OPENING STROLLER



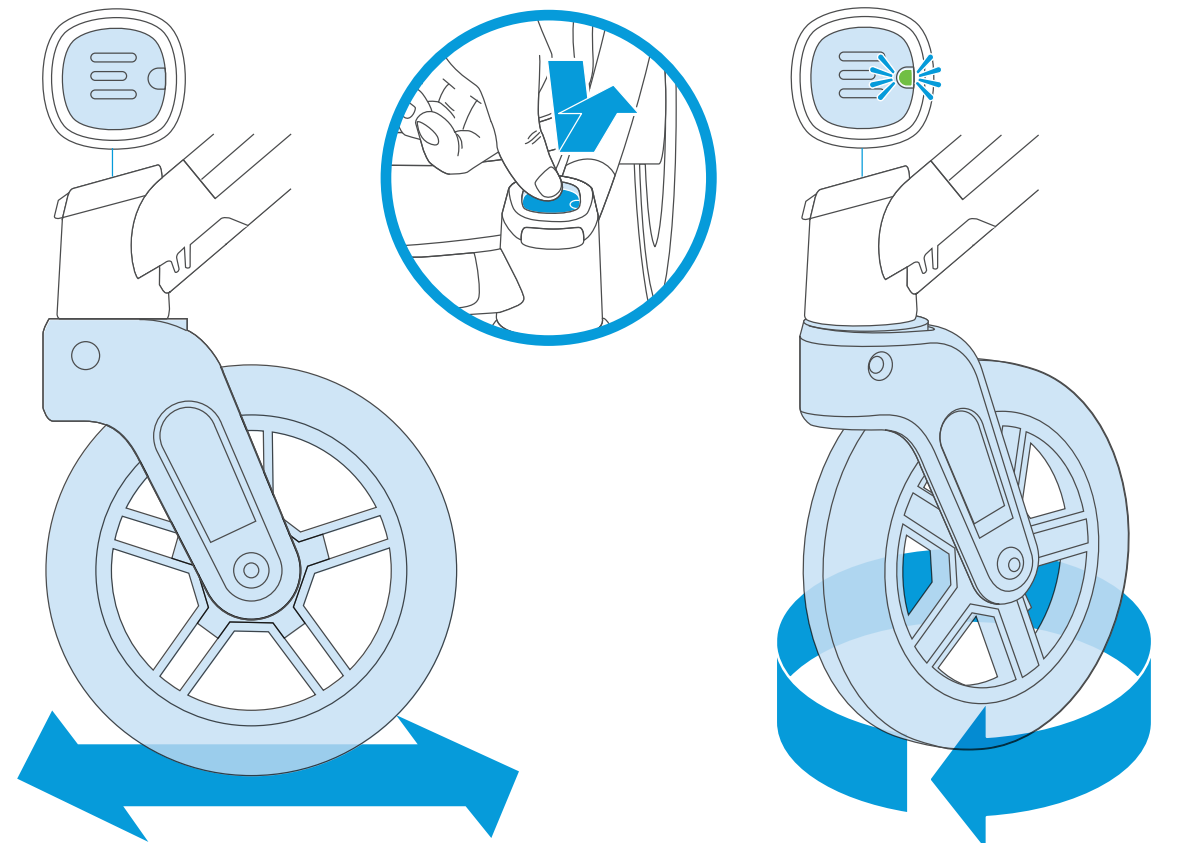
### ATTACHING/REMOVING FRONT WHEELS



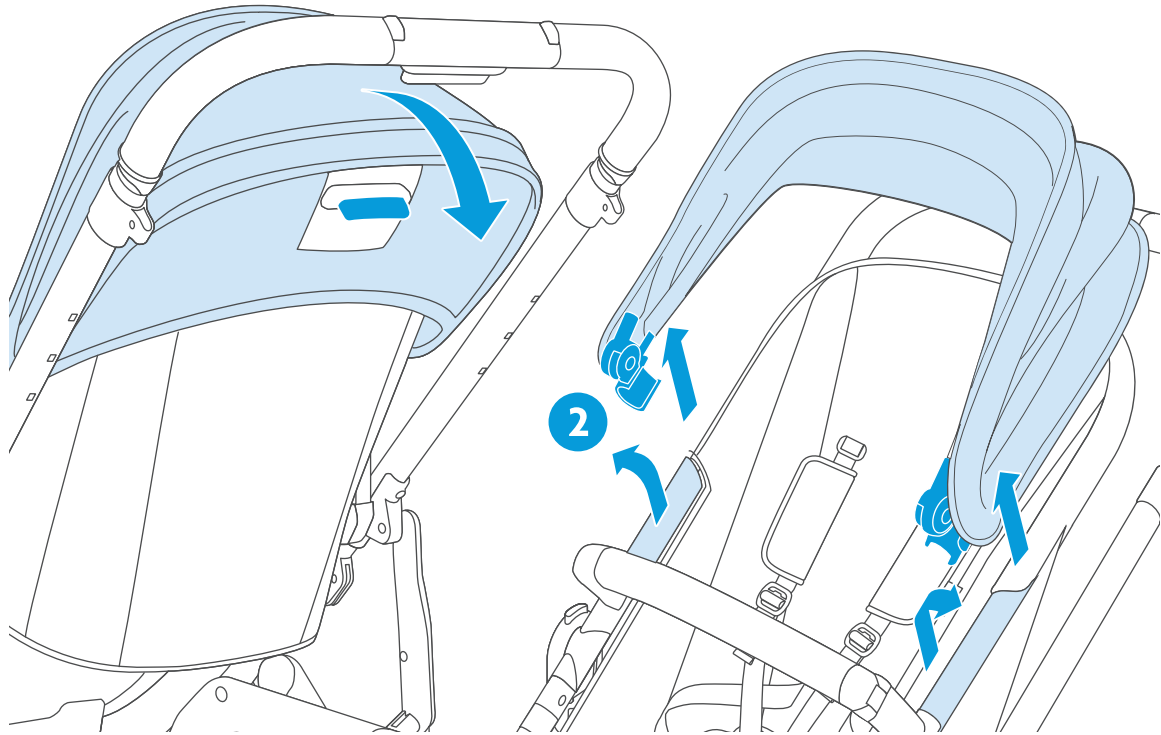
### ATTACHING/REMOVING BACK WHEELS



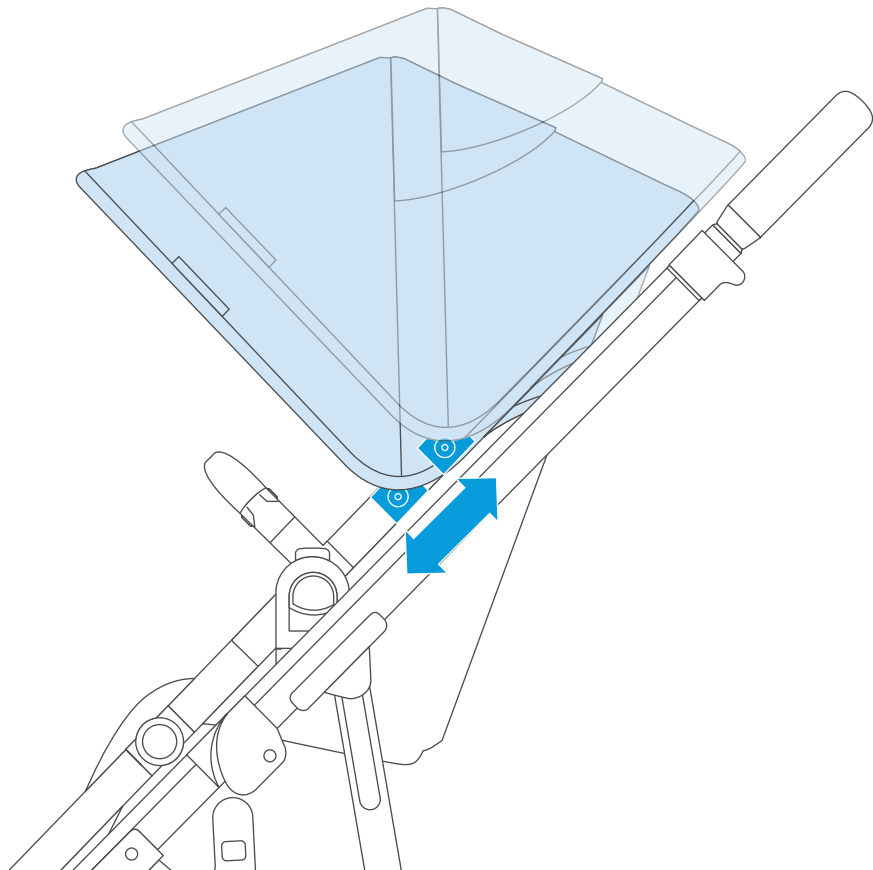
### LOCKING/UNLOCKING SWIVEL WHEEL



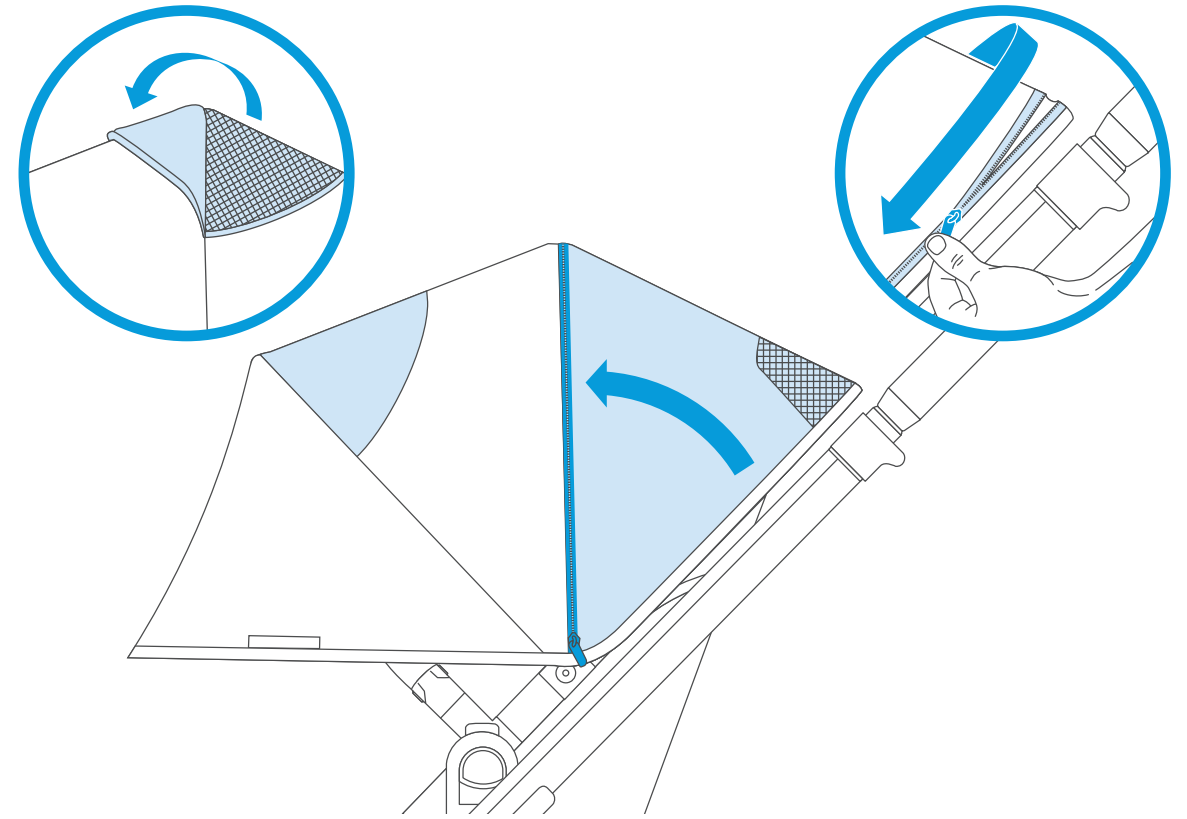
**REMOVING CANOPY FROM SEAT**



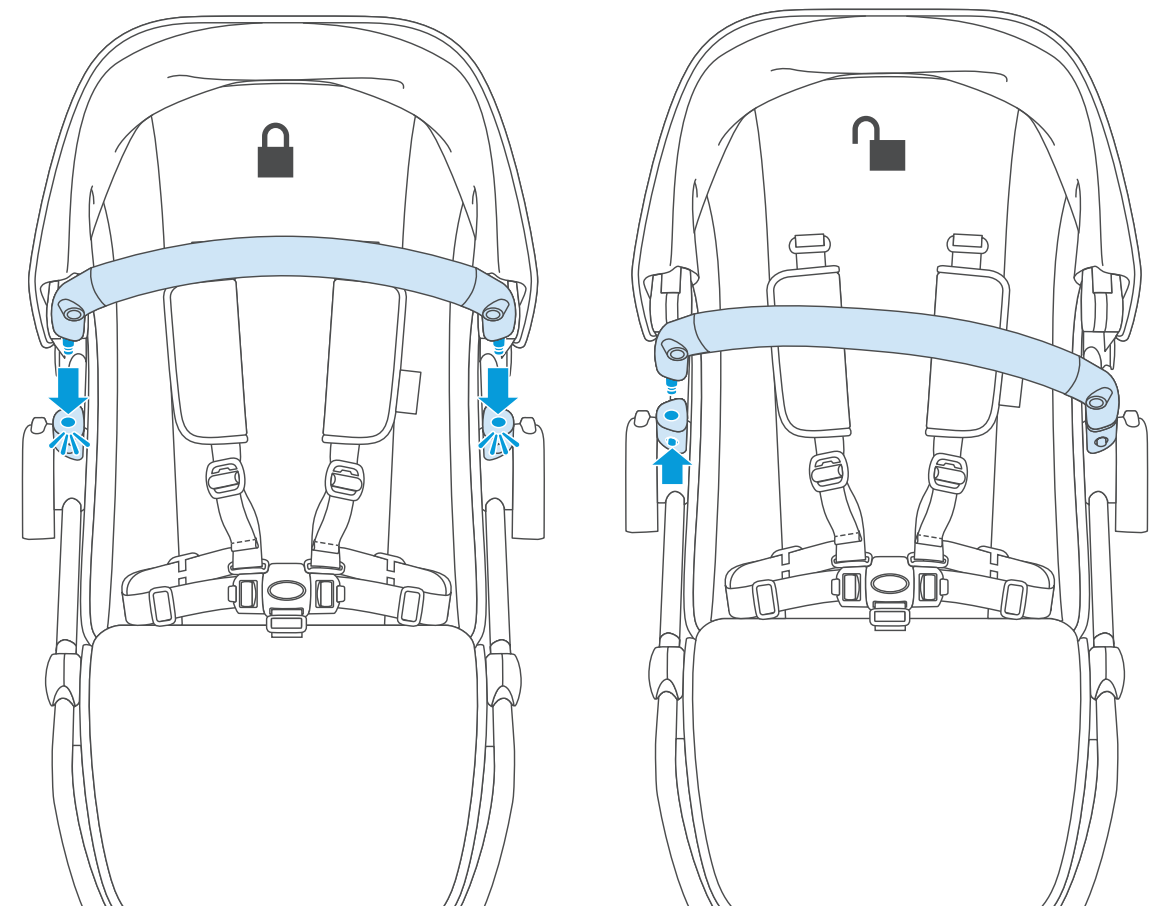
**ADJUSTING CANOPY HEIGHT**



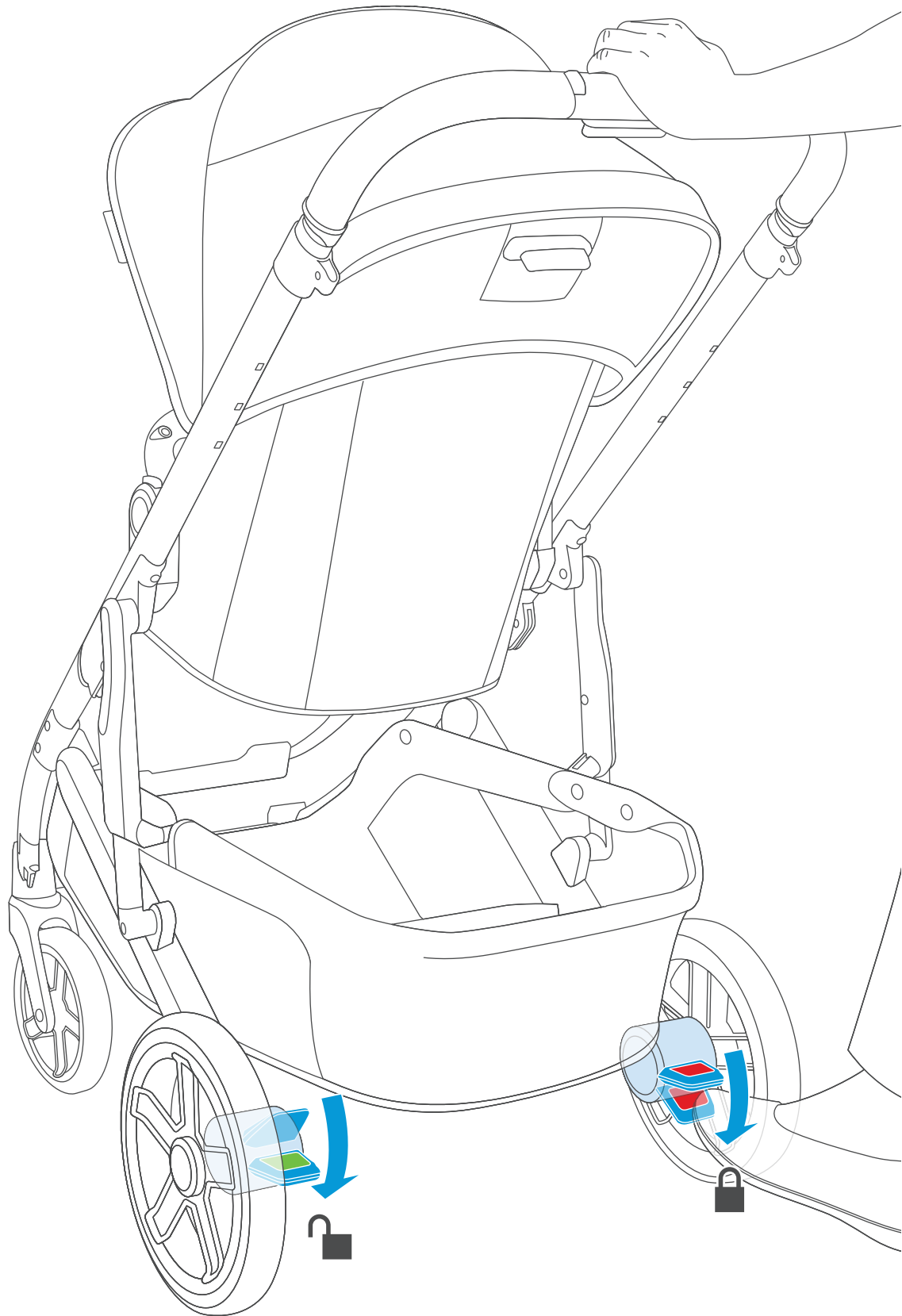
**USING CANOPY**



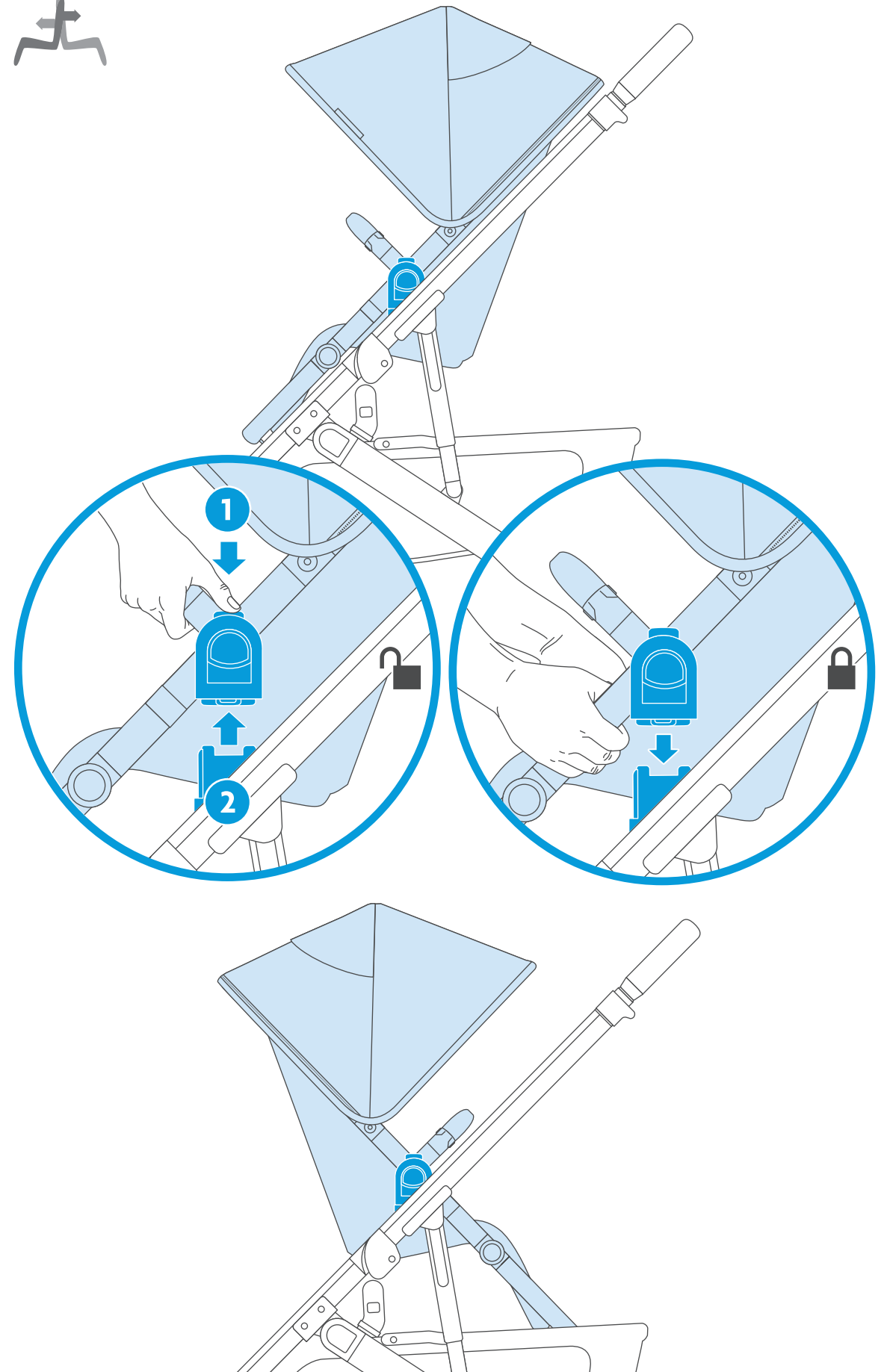
**ATTACHING/REMOVING BUMPER BAR**



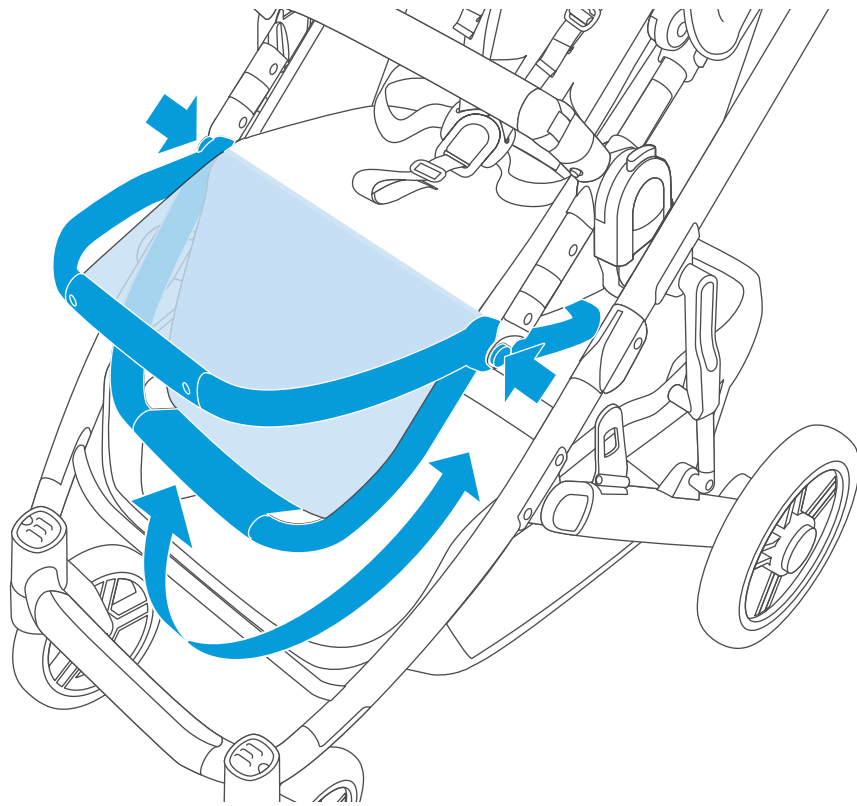
## APPLYING BRAKE



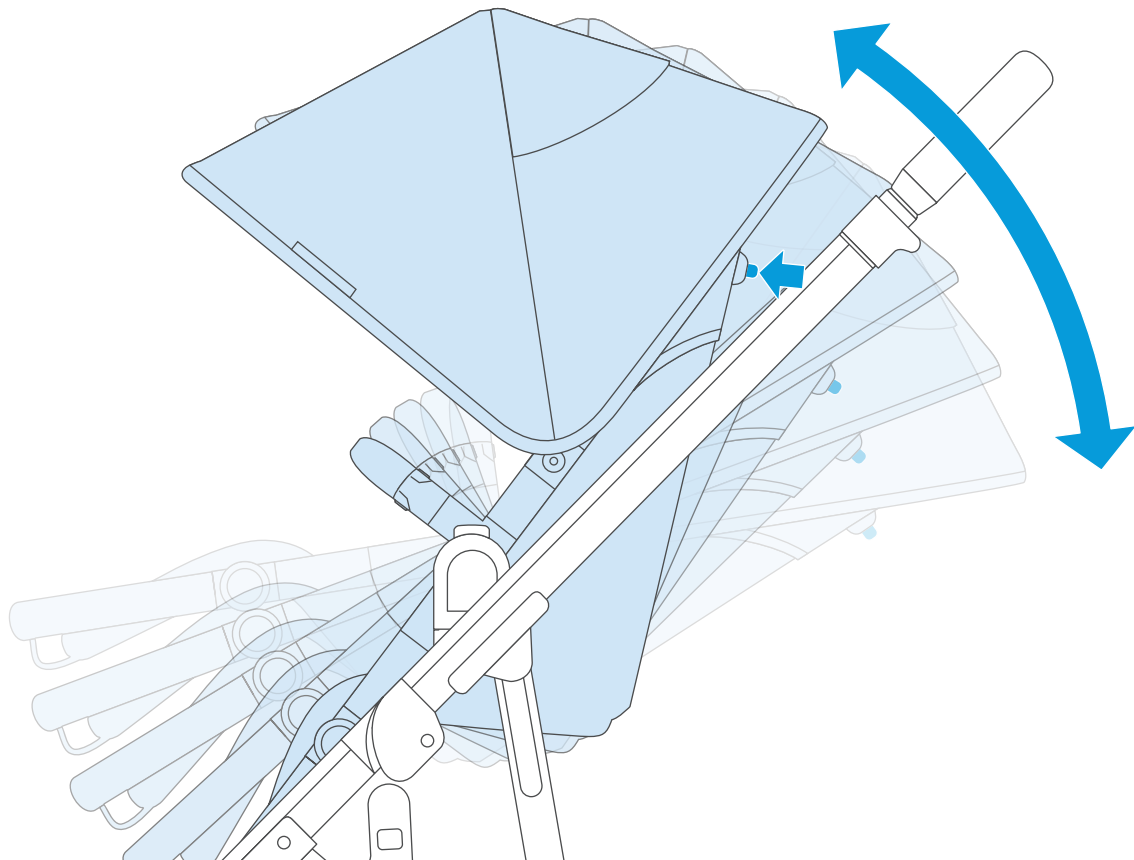
## FRONT/REAR FACING SEAT OPERATION



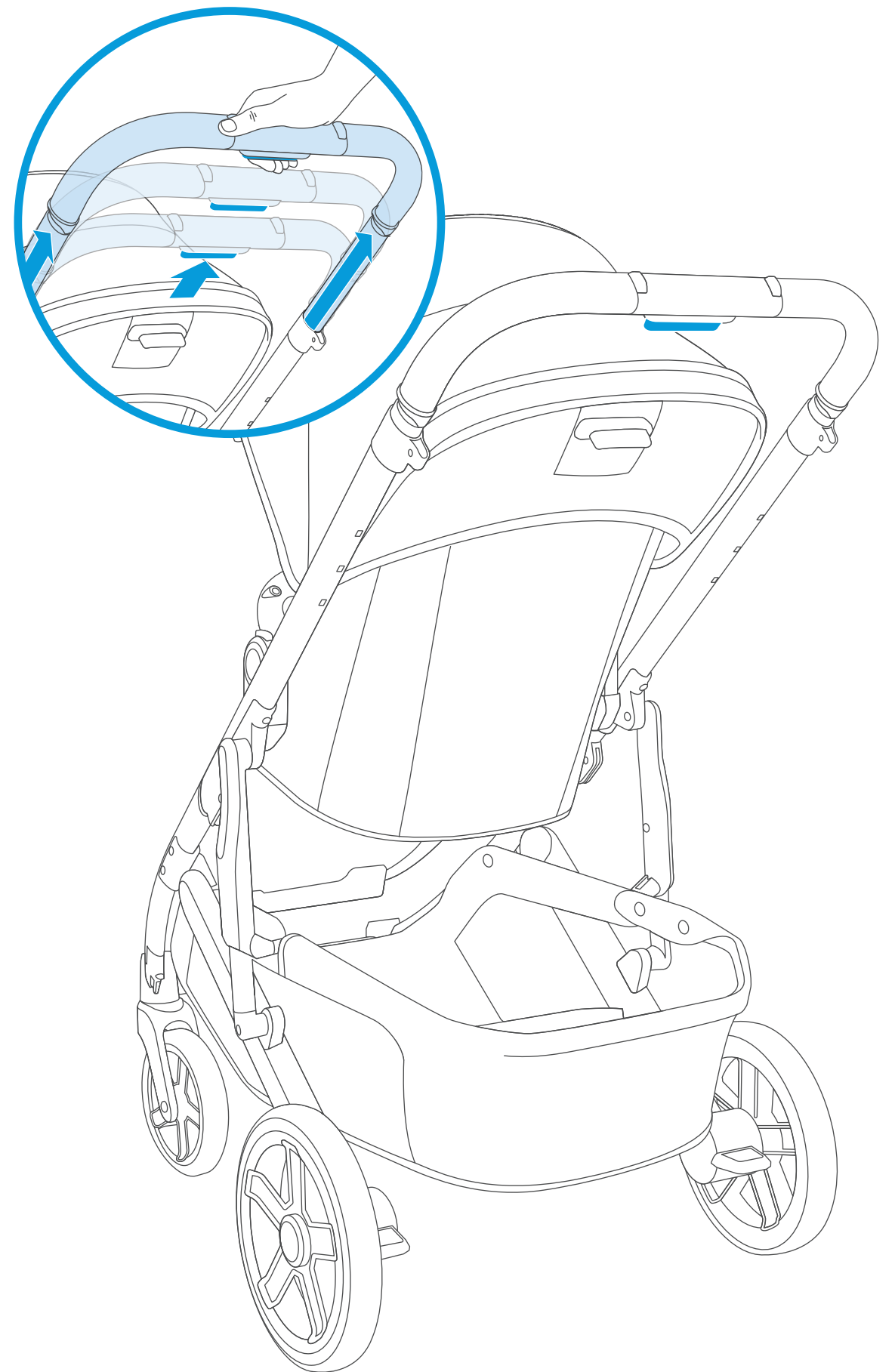
### ADJUSTING FOOTREST



### RECLINING SEAT

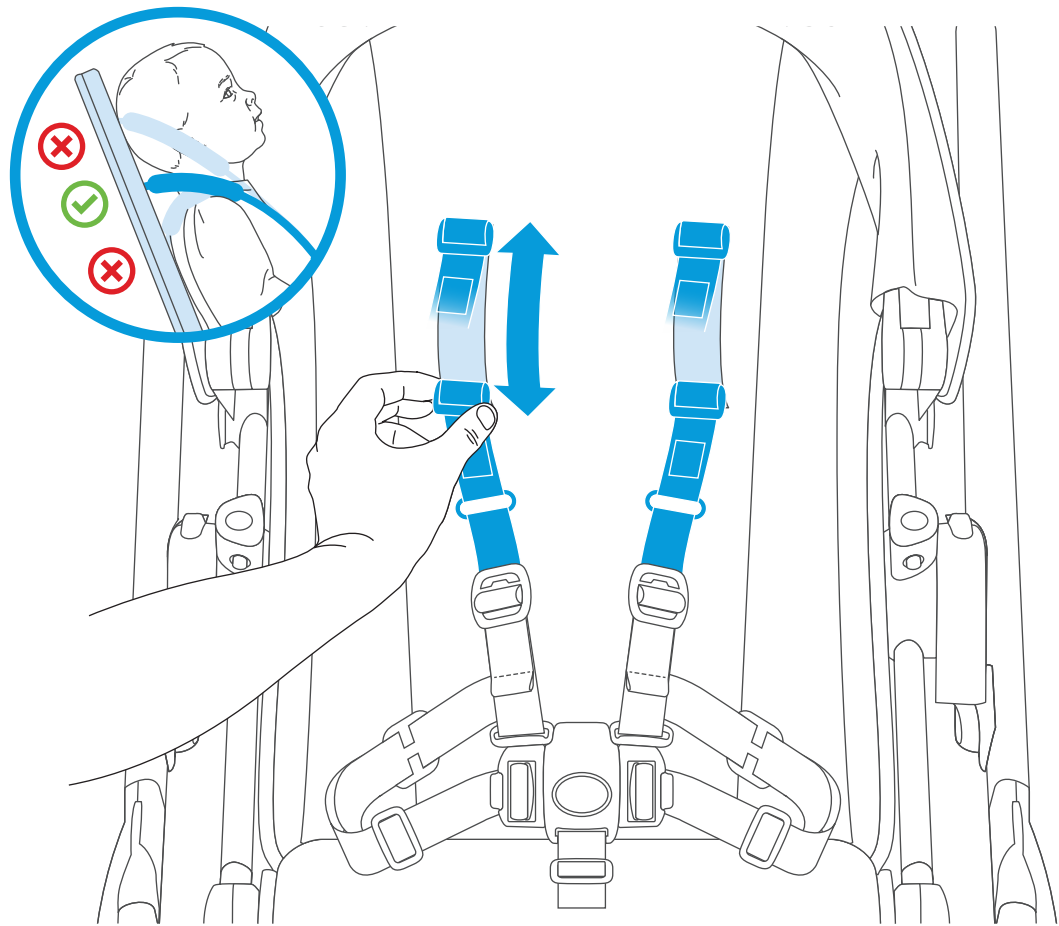


### ADJUSTING HANDLEBAR HEIGHT

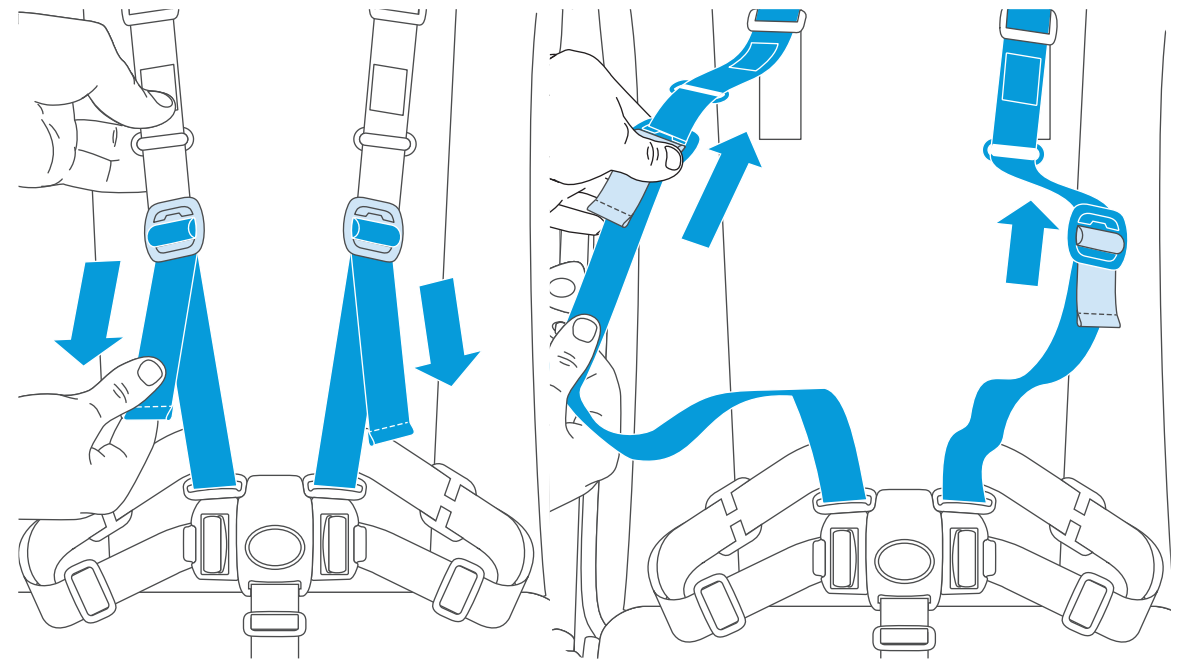




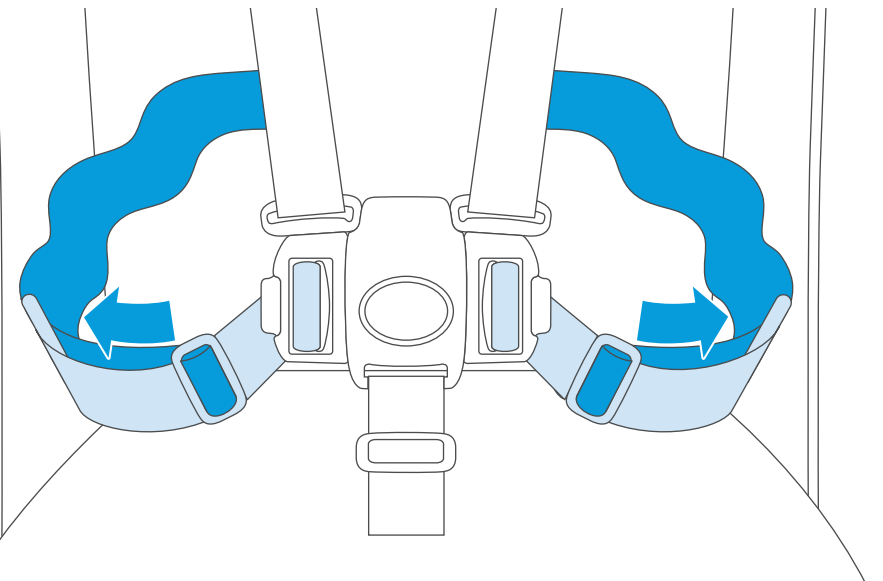
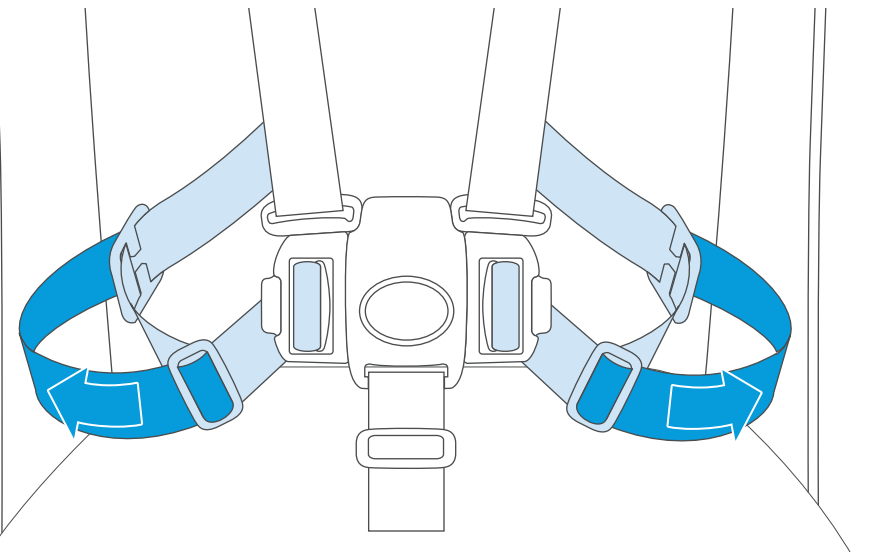
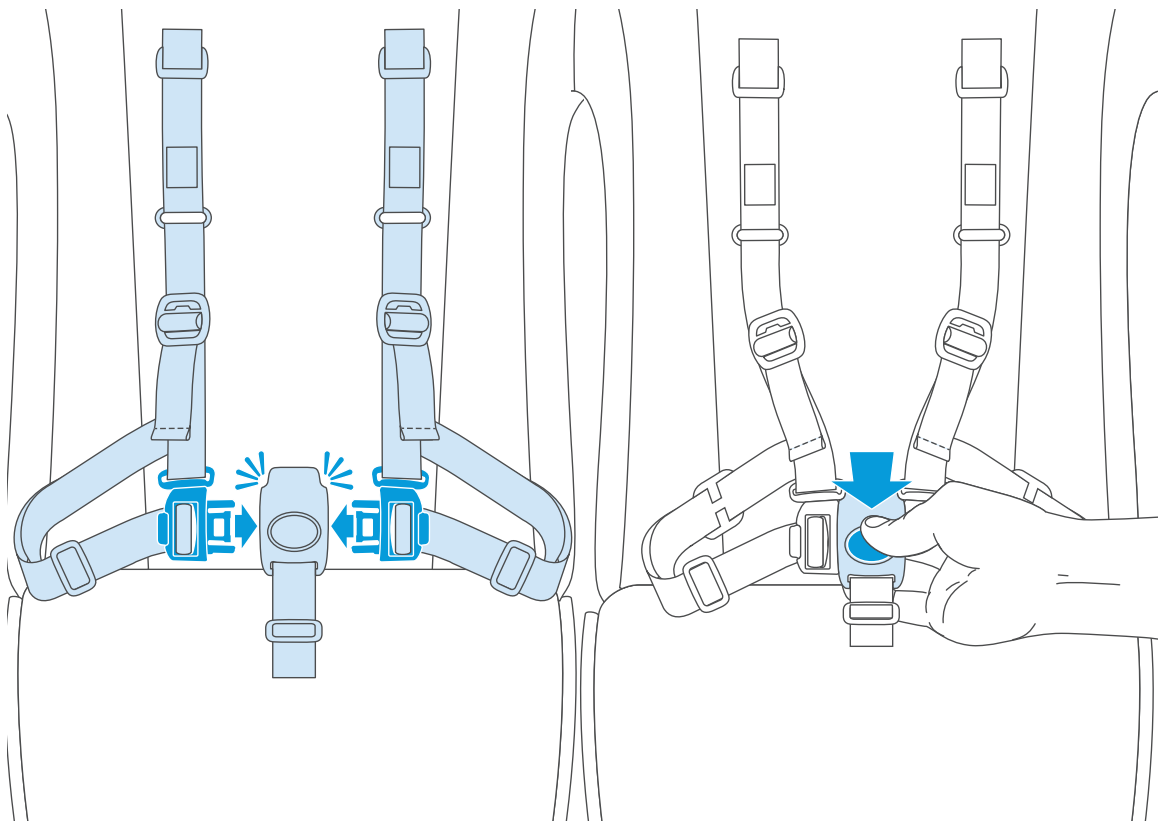
### ADJUSTING SHOULDER HARNESS HEIGHT



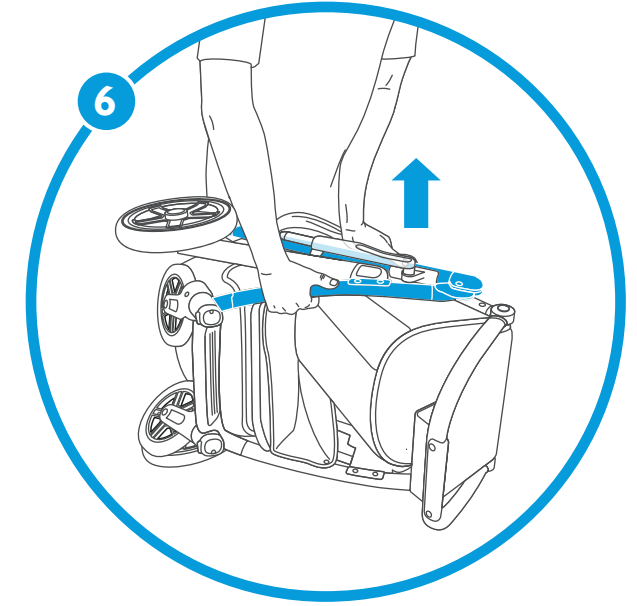
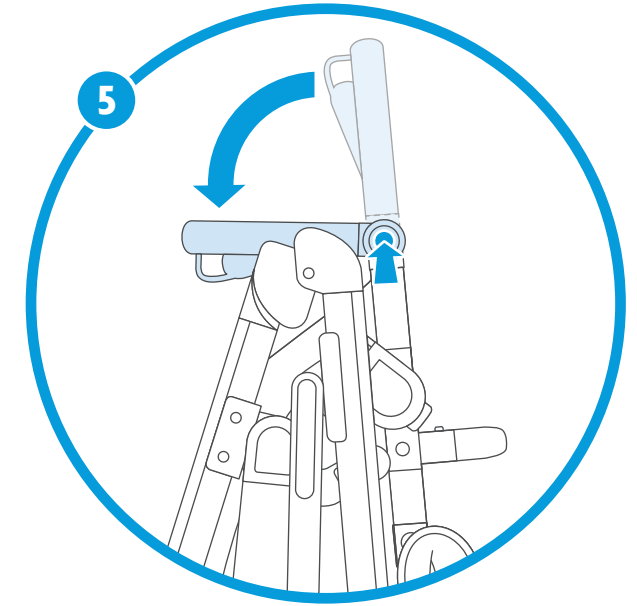
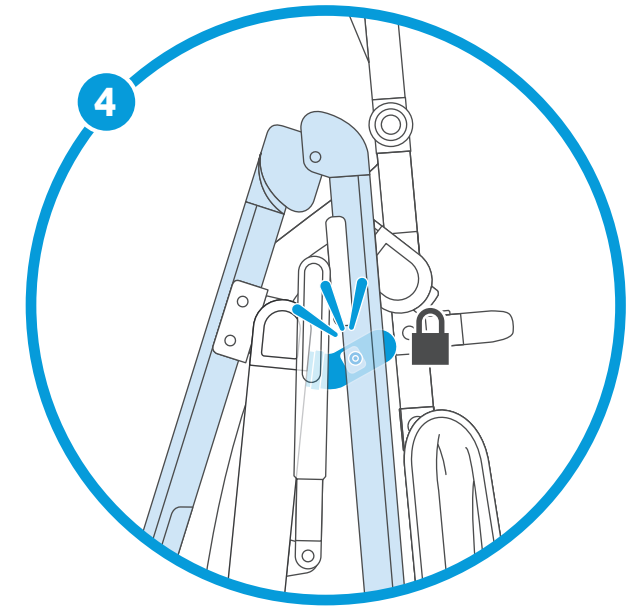
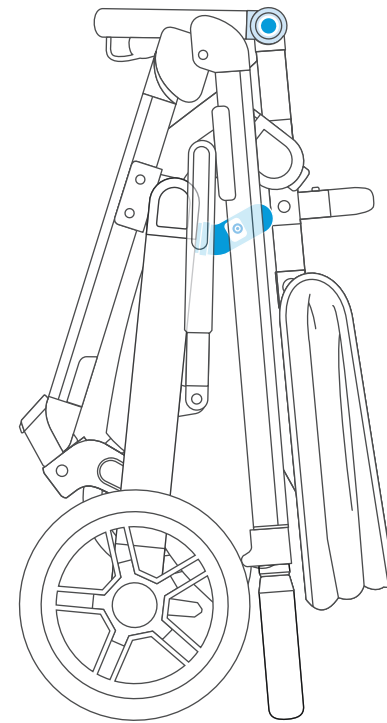
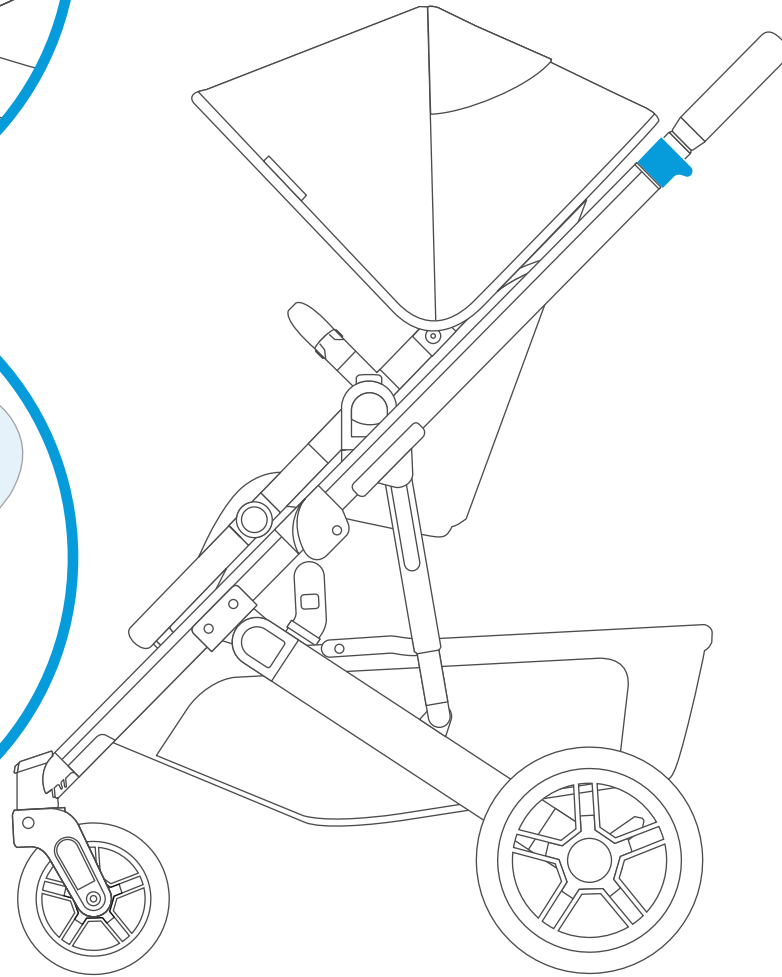
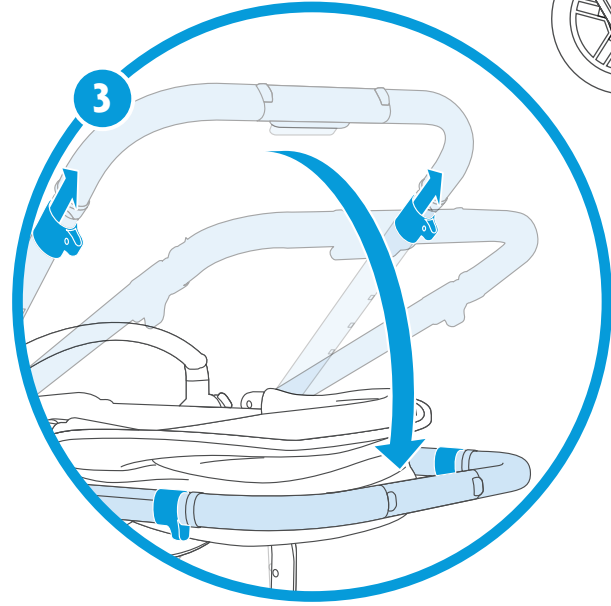
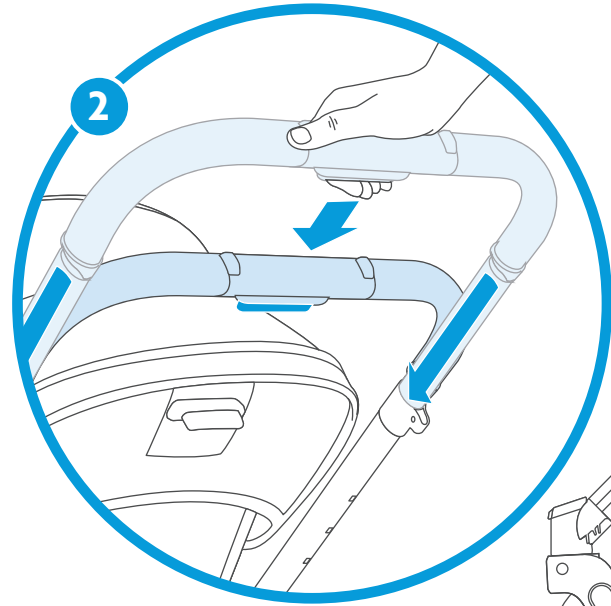
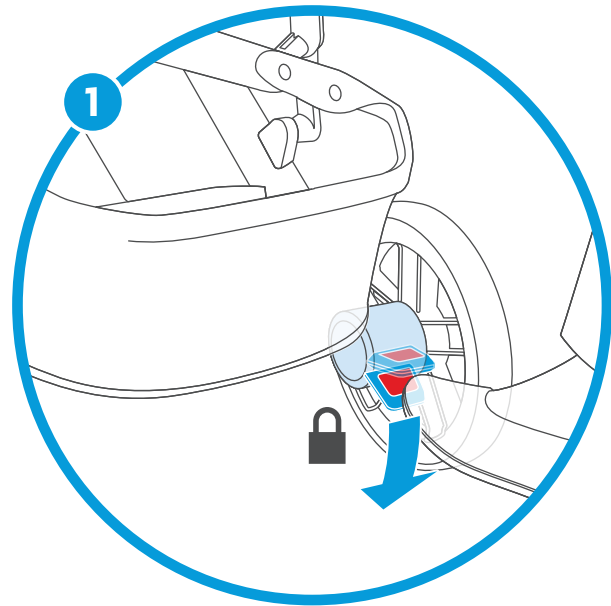
### ADJUSTING HARNESS



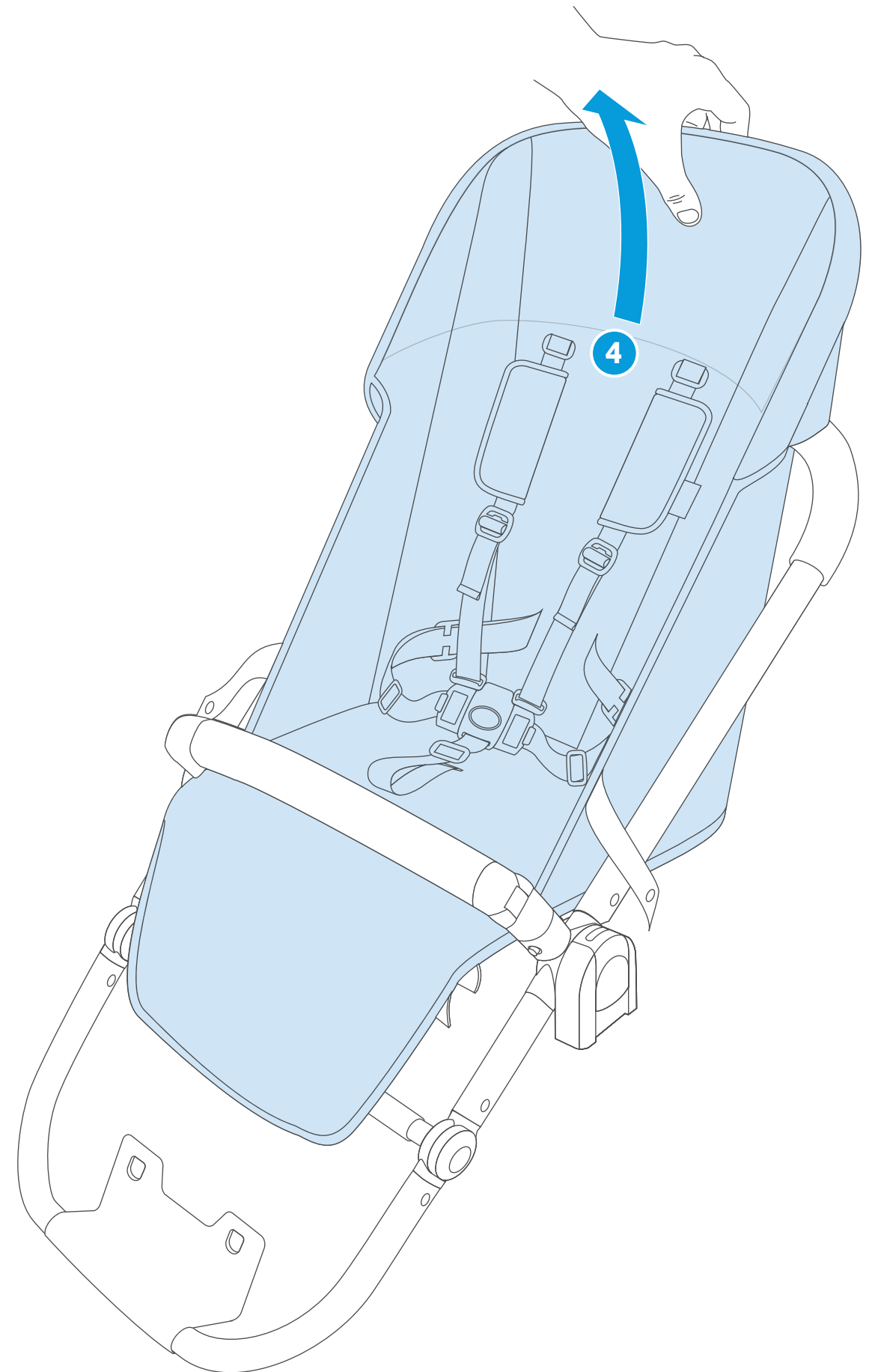
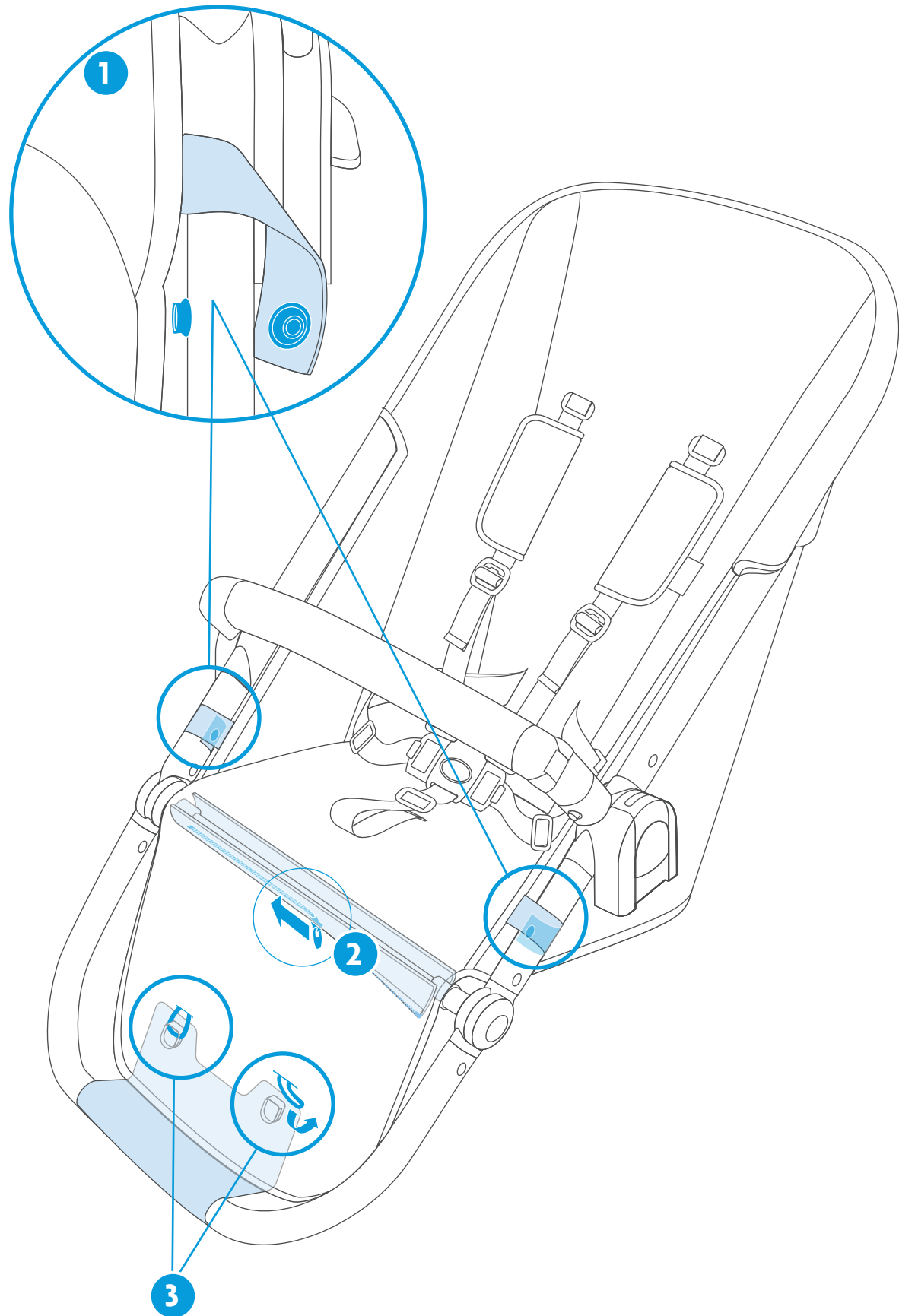
### BUCKLE OPERATION



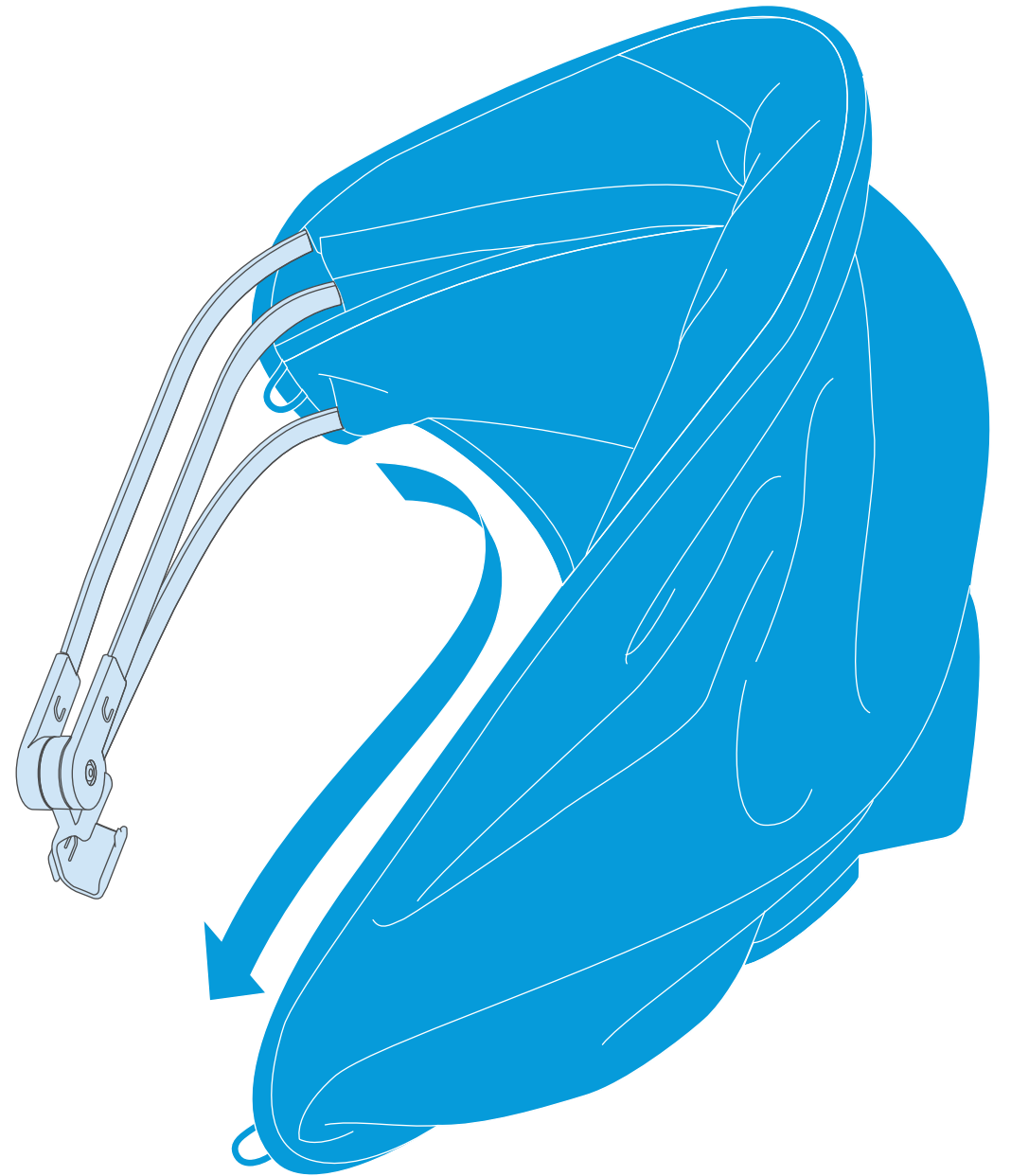
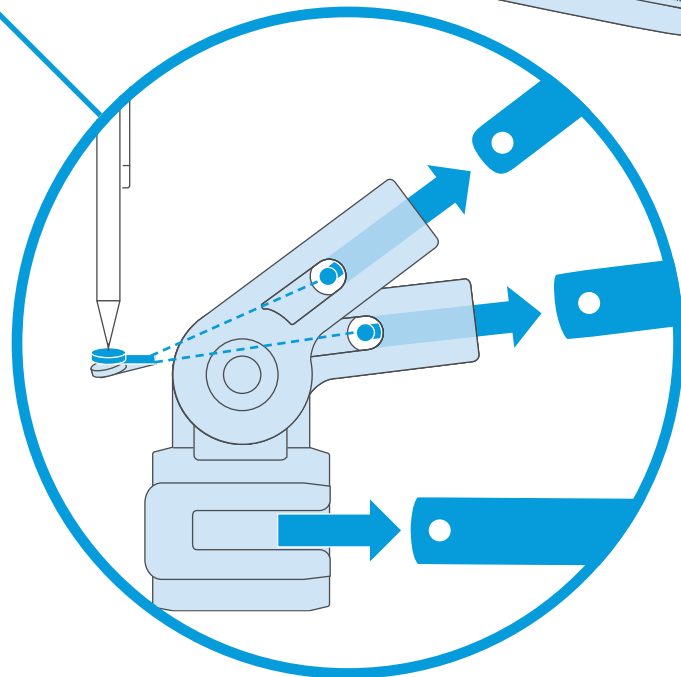
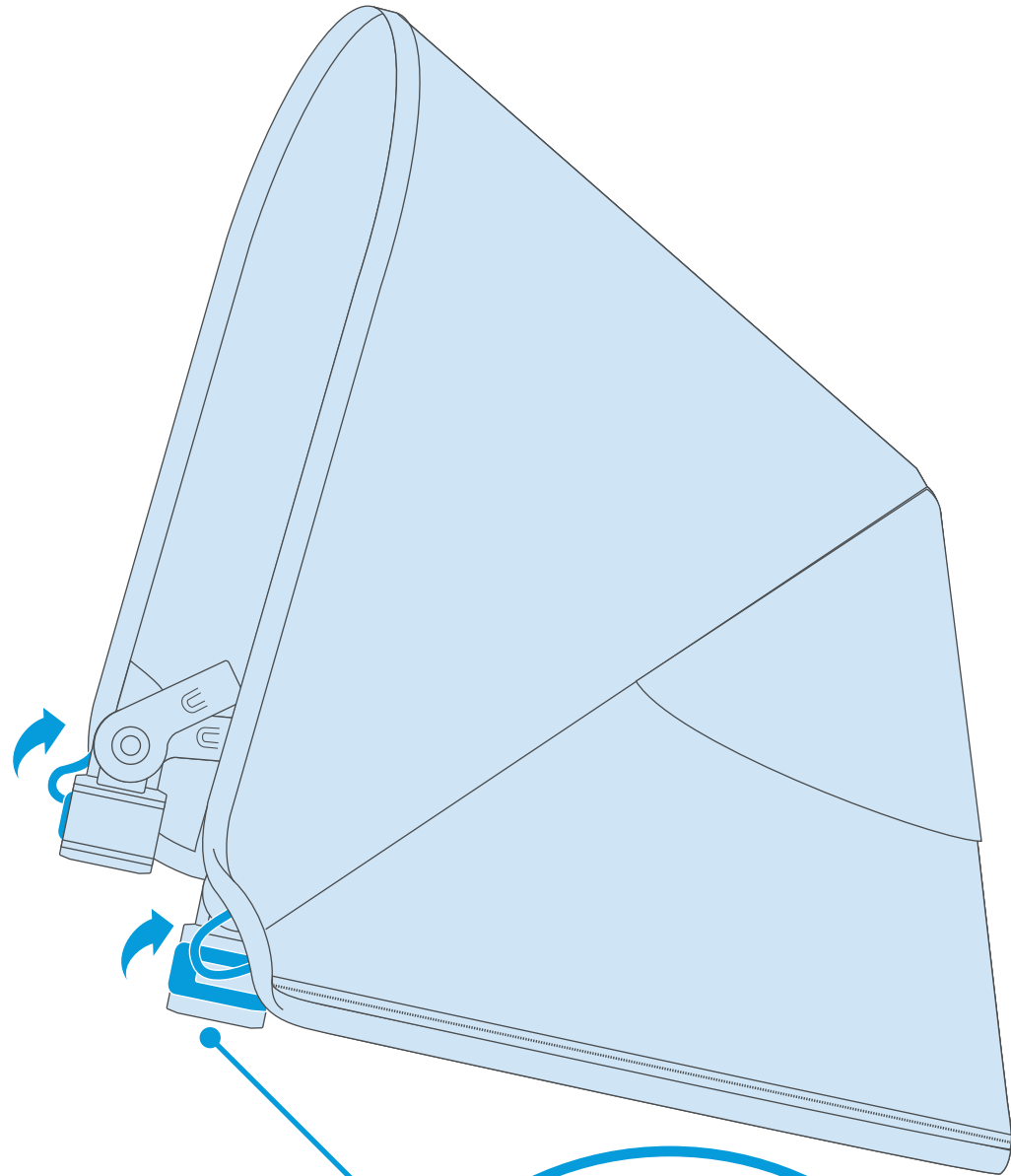
# FOLDING STROLLER



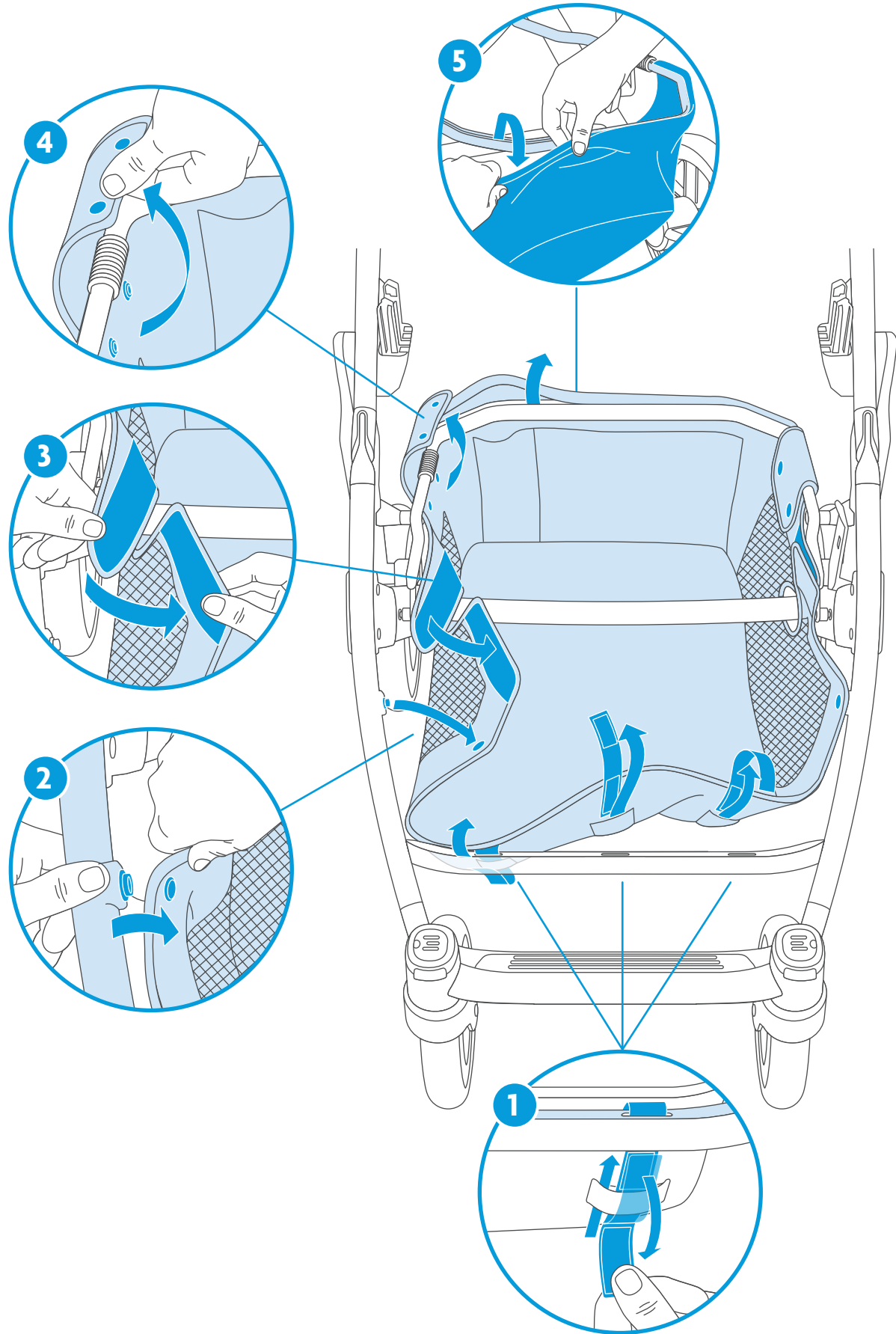
## REMOVING SEAT FABRIC



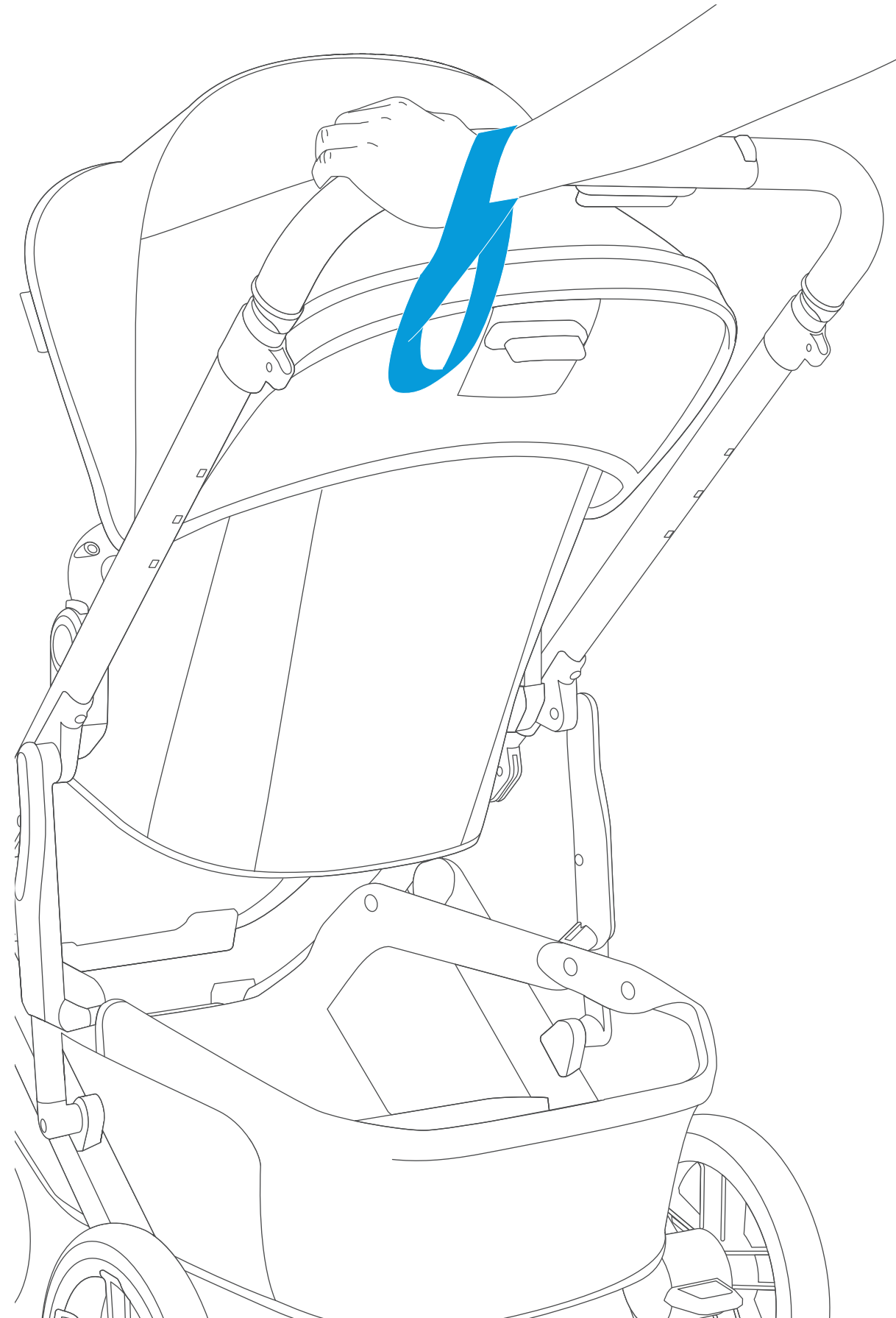
REMOVING CANOPY FABRIC



## REMOVING BASKET FABRIC



## CORRECT USE OF TETHER STRAP



## LIMITED WARRANTY



UPPAbaby provides a two-year warranty on all strollers and select accessories (Bassinet, RumbleSeat, From Birth Kit and PiggyBack) with an opportunity to add a third year to the warranty by simply registering your product online at UPPAbaby.com within three months of purchase. It's our way of saying thank you.

**Register your product at: [uppababy.com](http://uppababy.com)**

To qualify for the extended warranty you must provide a valid receipt of purchase from an authorized UPPAbaby retailer.

Your UPPAbaby stroller is warranted to be free from any manufacturing defects for a period of 2 years from the date of purchase under normal use and in compliance with the operating instructions.

This warranty is not transferable and extends only to the original retail purchaser and is only valid when supplied with proof of purchase. **PLEASE RETAIN PROOF OF PURCHASE FOR THIS LIMITED WARRANTY.**

The warranty is valid only in the original country of purchase. This warranty is subject to the conditions set forth by country in which the items were purchased. Conditions may vary. UPPAbaby will not ship replacement or repair parts out of the country of purchase.

UPPAbaby will provide replacement parts or conduct repairs as determined fitting by the company. UPPAbaby reserves the right to exchange item with a replacement part. Some parts may be replaced with newer model parts as the stroller is improved over time.

Please note that a repair issue will NOT be covered by this warranty if:

- The issue is caused by misuse or poor maintenance. Please refer to this instruction booklet for guidance on stroller use and maintenance.
- Damage is caused by improper installation of UPPAbaby parts and/or accessories. Please refer to this instruction booklet for guidance on stroller assembly and use.
- Damage is corrosion, mold or rust caused by lack of maintenance or service.
- Damage is due to general wear and tear, which is the result of everyday use or negligence.
- Damage is caused by sun intensity, sweat, detergents, damp storage or frequent washings.
- Repairs or modifications are carried out by a third party.
- Stroller is purchased from an unauthorized retailer. Approved retailers are listed on our website at [uppababy.com](http://uppababy.com).
- Stroller is second-hand.
- Stroller is damaged as a result of an accident, airline or freight damage.

UPPAbaby reserves the right to determine if warranty terms and conditions have been met.

Please contact your local distributor if you have any questions regarding warranty.