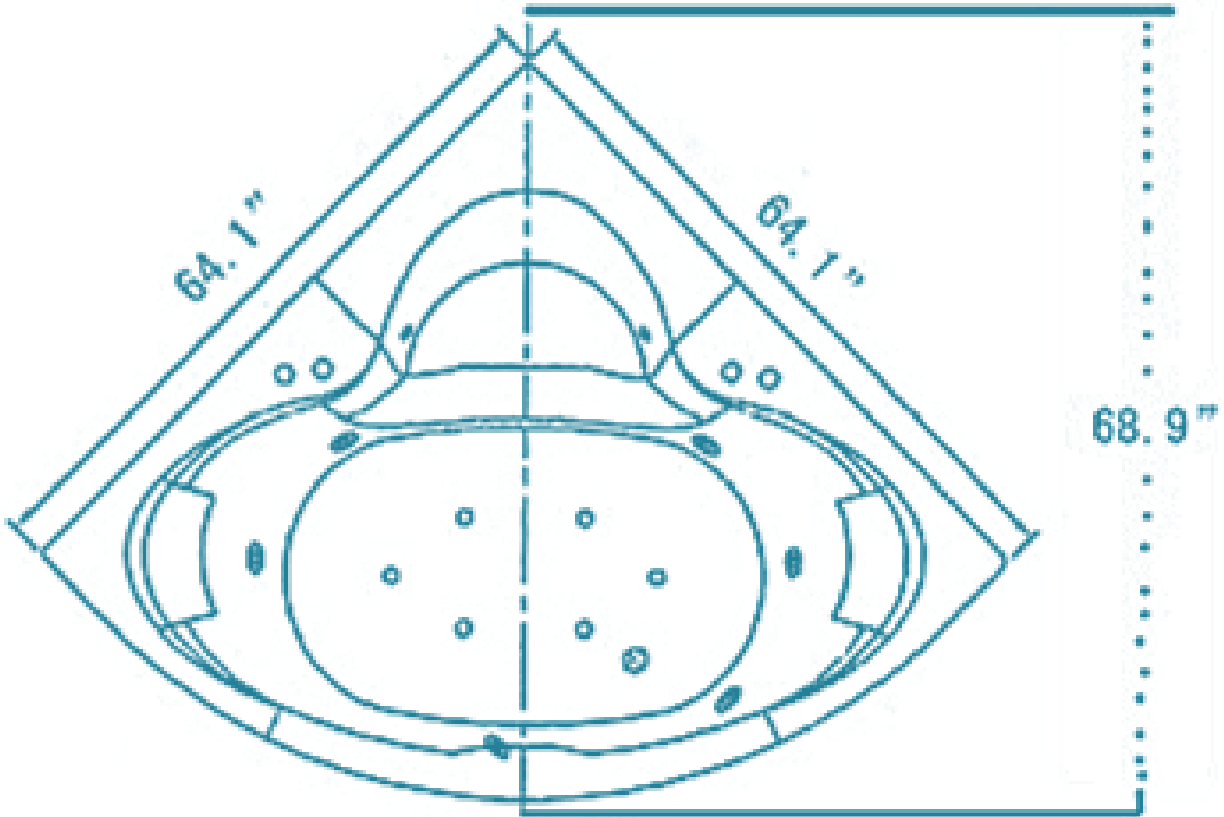
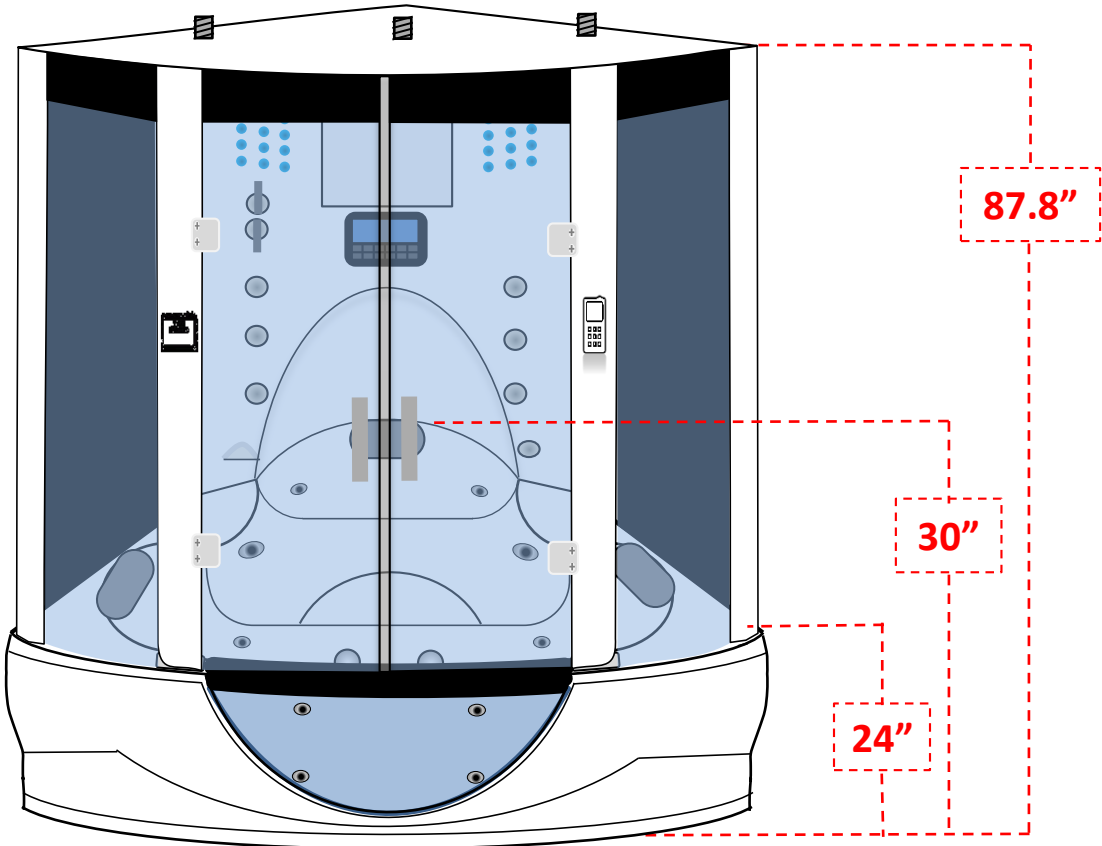
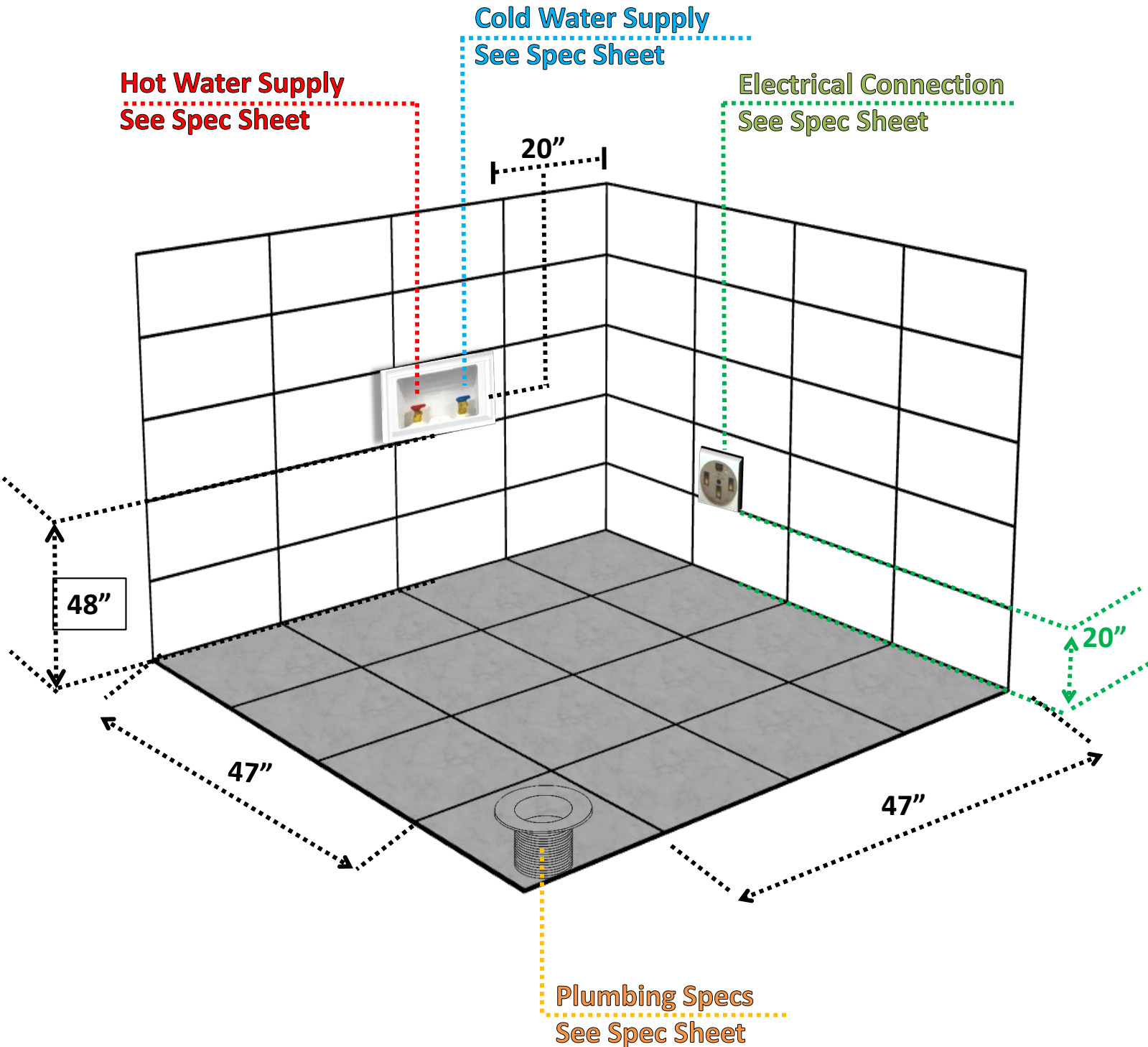


# VALENCIA STEAM SHOWER SPECIFICATION SHEET



# VALENCIA STEAM SHOWER SPECIFICATION SHEET



# ELECTRICAL SPEC SHEET

## TOTAL ELECTRICAL REQUIREMENTS

Line 1: 220V - 20 Amp - Four Wire (H1, H2, N, G)

Line 2: 220V - 10 Amp - Three Wire (H1, N, G)

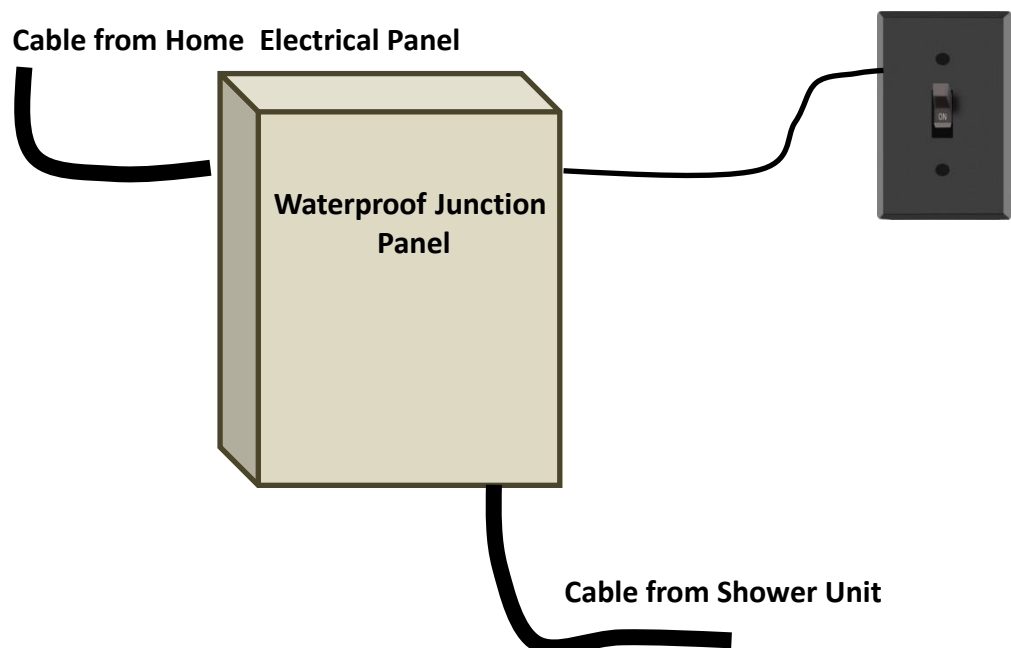
Each line will require a dedicated breaker

Your electrical contractor should understand ALL legal requirements of connection before undertaking this installation

## UNDER NO CIRCUMSTANCES UNDERTAKE THE ELECTRICAL CONNECTION YOURSELF

Note for electrician: This product utilizes 10/4 gauge wire, 220v 30a connection. Connect this cable into a suitable socket with more than adequate power supply, preferably in another room. Make certain no contact with moisture or steam is possible. Pictured below is a water proof junction box (purchased separately). Install the panel where the final electrical connection will be made. The shower units electrical and the homes electrical connection will meet inside this waterproof junction box. An on/off switch must be installed as well. We provide the main power cable “as is” because it will allow the electrician many different connection options.

Wire into isolated fused feed connecting directly to the homes service box.



# PLUMBING/DRAIN SPEC SHEET

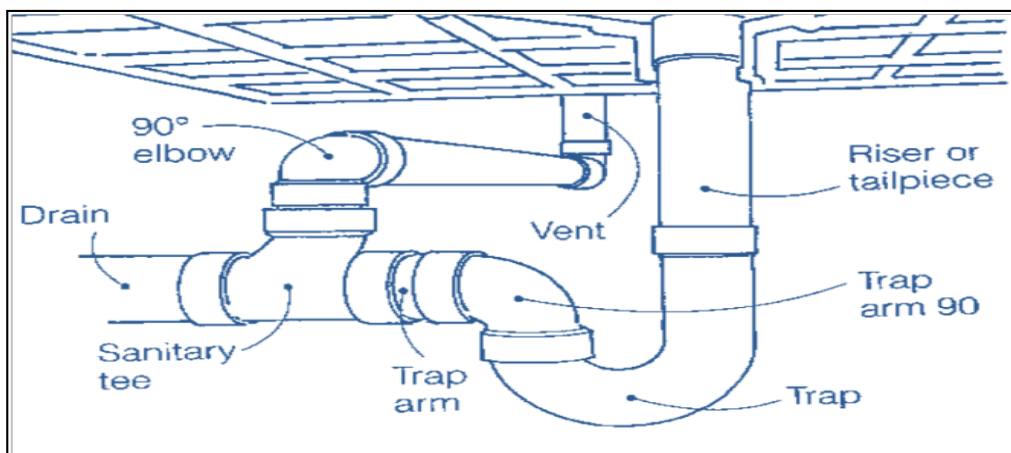
## WATER PRESSURE REQUIREMENT

We recommend a pressure reading between 60-80 PSI. If you have a gravity feed or older type installation (hot water tank) a pump may be needed. We cannot advise on which type of pump is used, location or design because all house plumbing layouts vary. This is a job for your installer/plumber. For further information about water pressures and what you can do to improve them, see additional instructions found in the Help Section of this manual.

## WATER GALLONS PER MINUTE (GPM) REQUIREMENT

**You will need** at least 2.5 gallons of water **per minute** in order for your shower to work properly.

Important Note: Do not exceed 100 PSI under any circumstances. Warranty may be voided if damages occur due to extreme water pressures. If your water pressure exceeds this requirement, use a pressure reducing valve to lower the pressure to the shower.



## Gallons Per Minute Requirements

<b>Drain</b>	<b>10.6 Gal/Min</b>	<b>40.1 Liters/Min</b>
<b>Water Input</b>	<b>3.18 Gal/Min</b>	<b>12 Liters/Min</b>
<b>Overhead Shower</b>	<b>3.18 Gal/Min</b>	<b>12 Liters/Min</b>
<b>Hand-Held Showerhead</b>	<b>3.18 Gal/Min</b>	<b>12 Liters/Min</b>
<b>Body Jets</b>	<b>2.7 Gal/Min</b>	<b>10.22 Liters/Min</b>
<b>Whirlpool Big Jets</b>	<b>70.45 Gal/Min</b>	<b>266.65 Liters/Min</b>
<b>Whirlpool Small Jets</b>	<b>46.23 Gal/Min</b>	<b>175 Liters/Min</b>

## Technical Specifications

Length X Width X Height

**Product Dimensions**

**65" X 65" X 87.4"**

**Product Weight**

**Box A: 215 lb.**

**Box B: 265 lb.**

**Shipping Weight**

**Box A: 297 lb.**

**Box B: 356 lb.**

**Package Dimensions**

**Box A: 66" X 66" X 32.6"**

**Box B: 64" X 36.6" X 19.7"**

**Number of Jets**

**14 Body Massage Jets**

**24 Whirlpool Jets**

**6 Large Whirlpool Jets**

**Whirlpool Water Capacity**

**110 - 170 Gallons**

**Minimum Water Pressure Required**

**57.14 psi or 4 Bar**

**Maximum Water Pressure Required**

**114.29 psi 8 Bar**

**Recommended Water Pressure**

**85.72 psi or 6 Bar**

**Water Temperature**

**Minimum 5° C (41° F)**

**Maximum 60° C (140° F)**

**Drain Size 1-1/2"**

**TOTAL ELECTRICAL REQUIREMENTS**

**1 Outlet is Required to Run Unit**

**The system will have one main wire with**

**Black, Red, Yellow, Blue.**

**Voltage Rating: 220-240AC**

**Ampere: 30 AMP**

**Amp Power Rating: 4.2KW**

**2 Water Pumps: 1160W/220V/60Hz/6A**

**Steam Generator: 4200W/220V/60Hz/19A**

