

HEAT TORCH™



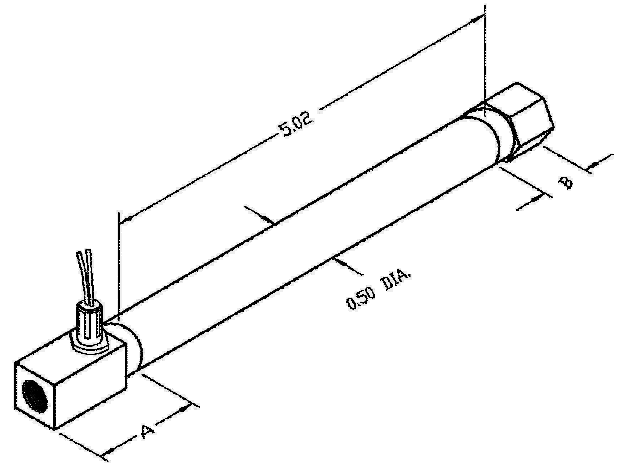
Shown with optional inlet & exhaust fittings

HT050

- This 0.5" diameter Heat Torch™ 050 Inline Heater is compact and reliable when moderate amounts of focused air are required.
- The Heat Torch™ 050 Air Heater has allowable air flow ranging from 1 to 10 SCFM and is available in power ratings of 100 watts to 500 watts (with standard increments of 50 watts). Maximum air input temperature is 250°F (121°C) with 1300°F (704°C) maximum output.
- Applications for Heat Torch™ 050 include staking, curing, drying, heat shrinking, sterilization, and adhesive activation.

Airflow (SCFM)	Pressure Drop (psig)
1	.53
2	2.1
3	4.7
4	8.4
5	13.2
6	19.0
7	25.8
8	33.7
9	42.7
10	52.7

Wattage	Min. SCFM Req.
0.1kW	1.0
0.2kW	1.0
0.3kW	1.0
0.4kW	1.0
0.5kW	1.0
0.6kW	1.0



Wattage & Voltage Options

120V, single phase, 0.1kW-0.6kW
 208V, single phase, 0.2kW-0.55kW
 240V, single phase, 0.2kW-0.6kW

Other Options

Thermocouple Fitting
 Thermocouple
 Flexible Conduit

Fitting Options

Inlet Fitting:
 1/8F- 1/8" FNPT
 3/8F- 3/8" FNPT
 CB- Counterbore 1/2" O.D.

Exhaust Fitting:
 1/8F- 1/8" FNPT
 1/4F- 1/4" FNPT
 NF- No Fitting

Inlet Fitting	Dim. A	Exhaust Fitting	Dim. B
1/8F	1.32	1/8F	0.54
3/8F	1.45	1/4F	0.85
CB	1.32	NF	0.04

Specifications

Category:

**Inline Heaters,
 Process Heaters,
 Open Coil Heaters**

Max. wattage: 0.6kW
 Max. exhaust air temp.: 1300°F
 Max. inlet air temp.: 250°F
 Max. SCFM: 10
 Max Allowable Pressure: 120 psig
 Mounting: Horizontal/Vertical
 Leads: 20 gauge (12" long)
 Heater Body: 304 Stainless Steel
 Inlet Fitting: 303/304 Stainless Steel
 Exhaust Fitting: 303/304 Stainless Steel



Part Number Key

HT050	100	120	1/8F	1/8F	TF1	(XXX)
Heat Torch 050	Wattage	Voltage	Inlet Fitting	Exhaust Fitting	Thermocouple Fitting	Modification

