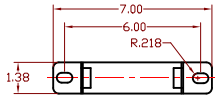
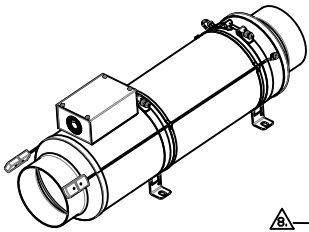
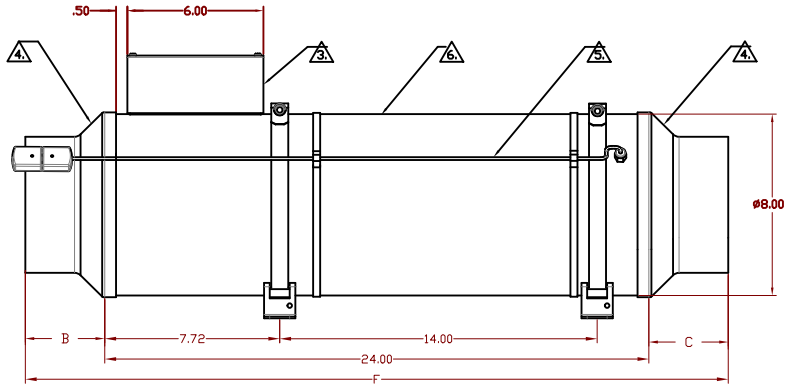
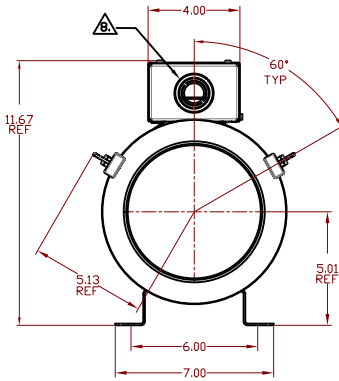


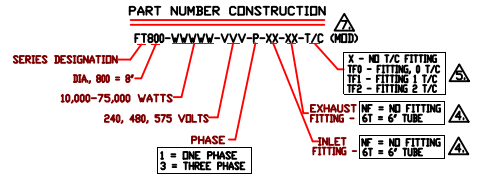
REV.	DATE	DESCRIPTION	BY	CHK
A	11/10/15	WEBSITE RELEASE		MD
B	02/04/16	ADDED NOTES, REARRANGED, NEW TOLERANCE	RLB	DEB



MOUNTING DETAIL
14 GA. 304 STAINLESS STEEL



A	INLET FITTING	B	EXHAUST FITTING	C
24.00"	NF	0	NF	0
24.00"	6T	3.50"	6T	3.50"
F = A + B + C				



- ⚠ KNOCKOUTS FOR VARIABLE CONDUIT SIZE OPTIONS: 1/2", 3/4", 1", 1-1/4"
- ⚠ OPTIONAL MODIFICATION NUMBER IS ASSIGNED FOR CUSTOM CONFIGURATION.
- ⚠ STANDARD TUBE IS 24" LG .120" WALL 304 STAINLESS STEEL
- ⚠ THERMOCOUPLE FITTINGS (1 OR 2) MAY BE INSTALLED WITH OR WITHOUT THERMOCOUPLES TYPE K IS STANDARD
- ⚠ INLET & EXHAUST FITTING OPTIONS ARE: 6T (6.0" OD) DR NO FITTING FITTINGS ARE MADE FROM 16 GA. 304 STAINLESS STEEL
- ⚠ JUNCTION BOX WITH (6) POSITION TERMINAL STRIP INSIDE

2. LEADWIRE IS 10 GA. BLACK 600V 200C UL3075 STANDARD LENGTH IS 15" TO TERMINATE IN JUNCTION BOX

NOTES: 1. FT800 TYPICALLY USED WITH CLEAN DRY AIR SUPPLY

<p>CONFIDENTIAL</p> <p>THIS DOCUMENT CONTAINS PROPRIETARY INFORMATION OF FARNAM CUSTOM PRODUCTS AND ITS RECEIPT OR POSSESSION DOES NOT CONVEY ANY RIGHTS TO REPRODUCE, DISCLOSE ITS CONTENTS, OR TO MANUFACTURE, USE, OR SELL ANYTHING IT MAY DESCRIBE. REPRODUCTION, DISCLOSURE, OR USE WITHOUT SPECIFIC WRITTEN AUTHORIZATION OF FARNAM CUSTOM PRODUCTS IS STRICTLY FORBIDDEN.</p> <p>APPROV. BY: M. DULKEN</p>	<p>THIRD ANGLE PROJECTION</p>	
	<p>TOLERANCES</p> <p>25.0 ± .00</p> <p>ALL OTHER DIMS AS SHOWN UNLESS SPECIFIED</p>	

FILE: FT800-6T-6T-TF2A