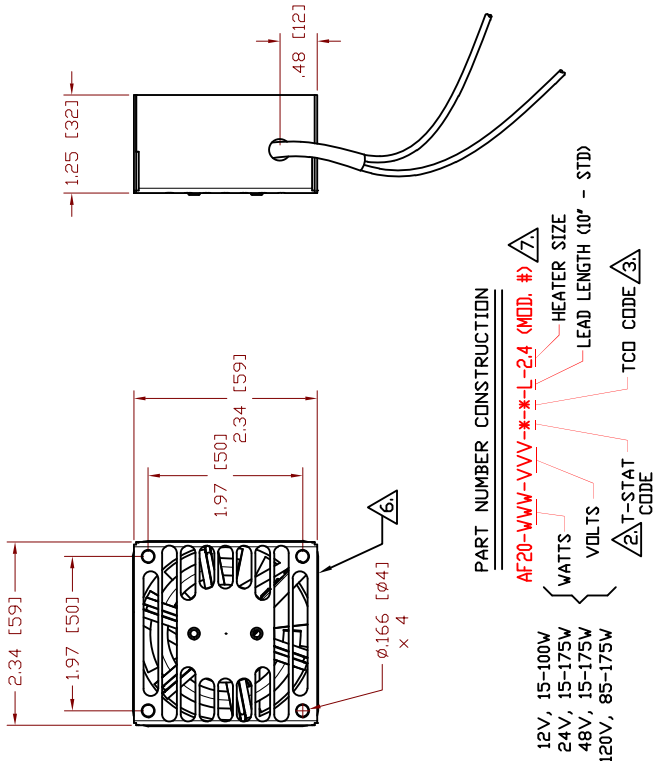
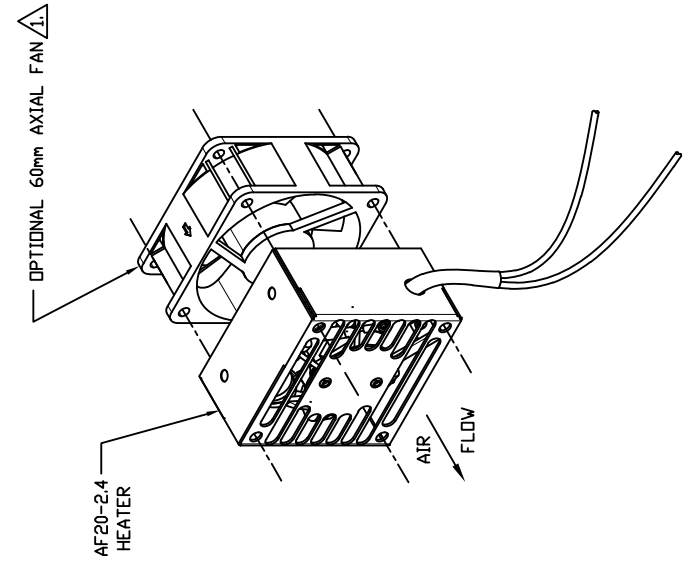


REV	DATE	DESCRIPTION	APP'D	CHK'D
A	03/11/15	WEBSITE RELEASE		RLB
B	07/15/16	ADDED DC APPLICATION NOTE		RLB
C	07/09/17	CHANGE NOTE 2 REMOVE UNAVAILABLE 100V, 170V TSTATS		RLB



PART NUMBER CONSTRUCTION

- AF20-WVV-*-*L-2.4 (MOD. #)
- WATTS
- VOLTS
- T-STAT CODE
- HEATER SIZE
- LEAD LENGTH (10" - STD)
- TCO CODE

- 12V, 15-100W
- 24V, 15-175W
- 48V, 15-175W
- 120V, 85-175W

- 5. OPTIONAL MODIFICATION NUMBER IS ASSIGNED FOR CUSTOM CONFIGURATION.
- 6. HOUSING IS .032" THK ALUMINUM PAINTED BLACK.
- AF20-2.4 IS UL COMPONENT RECOGNIZED (E154979).
- IF INCLUDED IN UNIT, USERS MUST DETERMINE THE SUITABILITY OF HIGH LIMIT THERMOSTAT AND/OR TCO INTENDED APPLICATION. THOROUGH TESTING BY USER IS NECESSARY TO DETERMINE IF UNIT WILL OPERATE AS INTENDED. USER IS SOLELY RESPONSIBLE FOR THE FUNCTION OF THE END USE PRODUCT AND/OR APPLICATION.
- OPTIONAL THERMAL CUT-OUT (TCO) IS A HIGH LIMIT SAFETY DEVICE DESIGNED TO PROTECT AGAINST OVER HEATING. IF OPENING TEMPERATURE IS REACHED THE TCO OPENS THE CIRCUIT AND THE HEATER REMAINS UNOPERATIONAL (ONE SHOT). IT IS RECOMMENDED TO SELECT A TCO OPENING TEMPERATURE AT LEAST 25C ABOVE THERMOSTAT OPENING TEMPERATURE (IF USED) OR 25C ABOVE HIGHEST TRANSIENT TEMPERATURE SEEN IN NORMAL OPERATION. FOR UL APPROVED DC APPLICATIONS, 24VDC ONLY AT 5A MAX.
- OPTIONAL THERMOSTAT IS A HIGH LIMIT SAFETY DEVICE DESIGNED TO PROTECT AGAINST OVERHEATING. DO NOT USE FOR TEMPERATURE REGULATION. THERMOSTAT WILL AUTOMATICALLY RESET WHEN THERMOSTAT HAS COOLED TO 25C BELOW OPENING TEMPERATURE. IT IS RECOMMENDED TO SELECT AN OPENING TEMPERATURE 25C ABOVE HIGHEST TRANSIENT TEMPERATURE SEEN IN NORMAL OPERATION. THIS THERMOSTAT IS NOT SUITABLE FOR DC APPLICATIONS.

NOTES: 1. AF20-2.4 WILL MOUNT TO MOST 60mm AXIAL FANS USING SAME MOUNTING HOLES.

THERMOSTAT CODE	THERMAL CUTOUT CODE
X- NO. T-STAT	X- NO. FUSE
1A- 65°C (149°F)	D- 93°C (199°F)
1B- 70°C (158°F)	F- 104°C (219°F)
1C- 80°C (176°F)	H- 117°C (243°F)
1D- 85°C (185°F)	K- 128°C (262°F)
1E- 90°C (194°F)	L- 132°C (306°F)
1F- 100°C (212°F)	M- 184°C (363°F)
1G- 120°C (248°F)	N- 192°C (377°F)
1H- 130°C (266°F)	R- 229°C (444°F)
1J- 150°C (302°F)	

CONFIDENTIAL
 THIS DOCUMENT CONTAINS PROPRIETARY INFORMATION OF FANMATE CUSTOM PRODUCTS AND ITS RECEIPT OR POSSESSION DOES NOT CONVEY ANY RIGHTS TO REPRODUCE, DISCLOSE ITS CONTENTS, OR TO MANUFACTURE, USE, OR SELL ANYTHING IT MAY DESCRIBE, REPRODUCE, DISCLOSE, OR USE WITHOUT SPECIFIC WRITTEN AUTHORIZATION OF FANMATE CUSTOM PRODUCTS IS STRICTLY FORBIDDEN.

FAIR USE PROTECTION
 ALL DIMENSIONS ARE UNLESS OTHERWISE SPECIFIED IN MILLIMETERS. NO SCALE SHALL BE USED.

F. A. R. N. A. M.
 FANMATE PRODUCTS

TITLE: AF20 AXIAL FAN HEATER, 24" SIZE
 PWA NO: AF20-2.4 ENVELOPE C
 DATE: 03/11/15
 SHEET: 1 OF 1

APP'D BY: D. DIEPHOLZ