

more Power Features

new POWER

Now available in:
15 kHz 2500 watts
20 kHz 1200 watts
20 kHz 2200 watts
30 kHz 1200 watts
40 kHz 800 watts

new FEATURES

- Precision controlled weld depth tolerance of +/- 0.0003 in. (.008 mm)
- Electric stepper motor drive/optical encoder
- Programmable digital force, velocity, distance
- Touch screen technology with dynamic full-color menus
- Virtual Network Computing (tablets/PC's)

STANDARD FEATURES INCLUDE:

- Automatic Frequency Tuning
- Graph Plotting
- Uploadable Event Logging
- Trend Capture / Plotting
- Weld to Peak Power
- Calibration Pulse Prior to Every Weld Cycle
- Weld Set-up Wizard
- Ultrasonics Load Meter Scale
- Absolute and Incremental Distance Modes
- Printer Data Log Output
- Optional PLC I/O (Input/Output) Ports
- Soft Start Overload Protection Circuitry
- Load Regulation Circuitry



SONICS[®]
SONICS & MATERIALS, INC.

e-Press TOUCH

ultrasonic electropress™

15 kHz/20 kHz/30 kHz/40 kHz

*high precision plastics welder
with touch control*



Power Supply with built-in Stepper Controller



Leaders in the field of ultrasonic plastics welding equipment and technology since 1969, Sonics & Materials offers its new stepper-motor driven *e-Press Touch*, combined with a unique touch-control power supply with built-in stepper controller. The new system produces repeatable, precision welds to a weld depth tolerance of +/-0.0003 in. (0.008 mm).

The advanced power supply provides superior microprocessor control and consistent reliability, along with an array of convenient networking and plotting features. Power supplies feature smart-logic, user-friendly navigation with touch controls plus enhanced features such as frequency display and digital amplitude control.

Power Supply with built-in Stepper Controller

Dimensions: 10" W x 9.5" H x 24.75" D (254 x 241.31 x 628.65 mm)

Innovating
since

1969

dimensional data

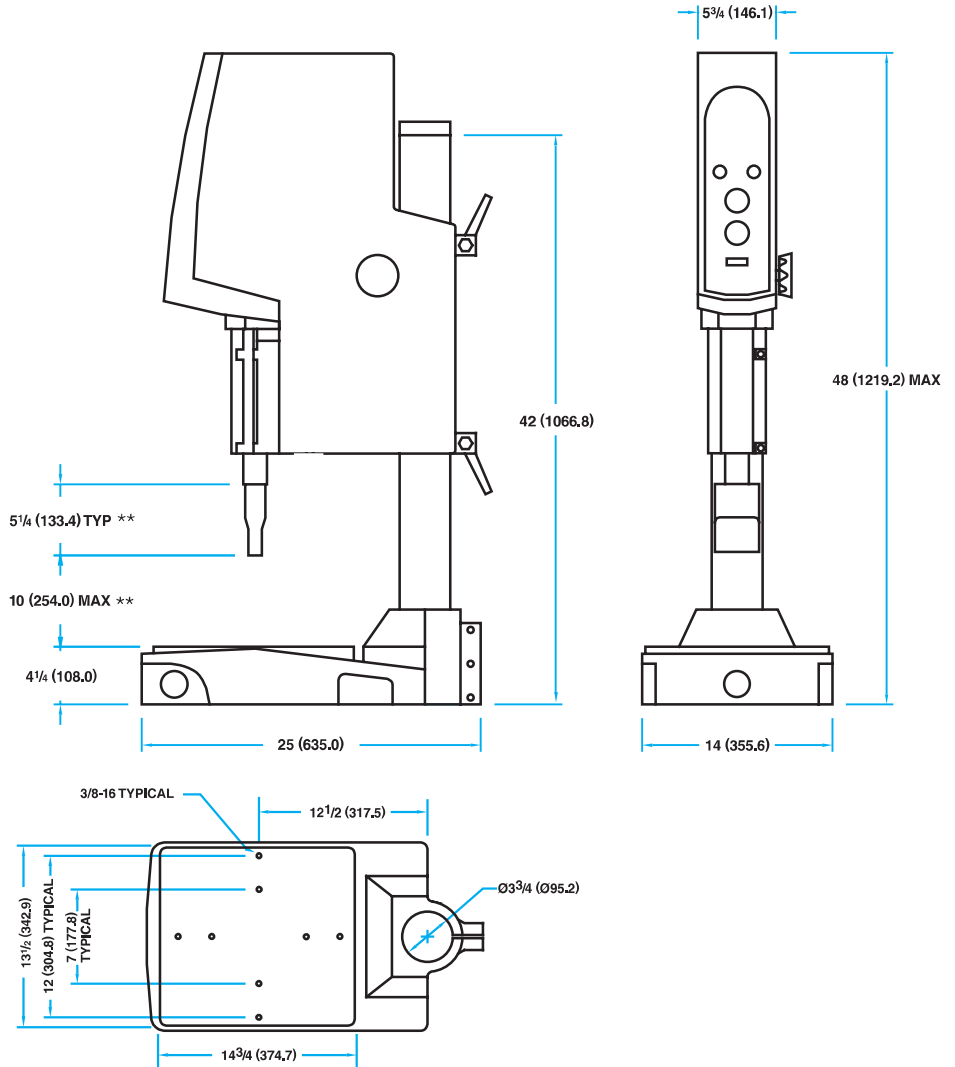
All Dimensions: Inches (mm)

e-Press features

- Single Piece Rigid Cast Aluminum Machine Base and Column Hub
- In-line Load Cell for Precise Force Trigger
- Linear Ball Screw Actuator
- Single Rail Linear Slide
- Rigid Mount Booster Technology

specifications, additional features, and options

Dual Cycle Start Buttons	Standard
Non-Contact Cycle Start Buttons	Optional
Front Emergency Stop	Standard
Head Adjust Counter	
Balance Spring	Standard
Automation Limit Switches	Optional
360° Snap-In Stack Assembly	Standard
Rigid Mount Booster	Standard
Stand Alone Column Hub	Optional
Extended Length Column	Optional
3.75" (95.3) Column Diameter	Standard
3.5" (89 mm) Max Stroke	Standard
Weight	210 lbs. / 95 kg



**NOTE: These dimensions apply to 20 kHz model only.

power requirements

Power Supply:

1200 watt	220 VAC (110 VAC Optional)
2200 and 2500 watts	220 VAC

EP controller

110 VAC

