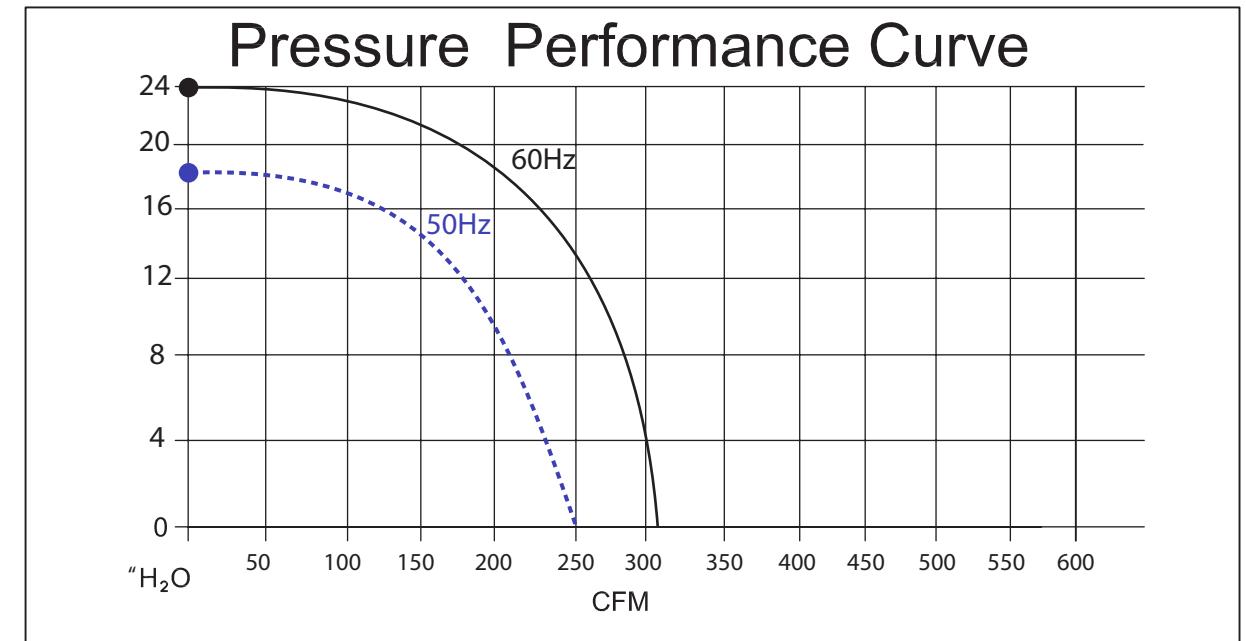
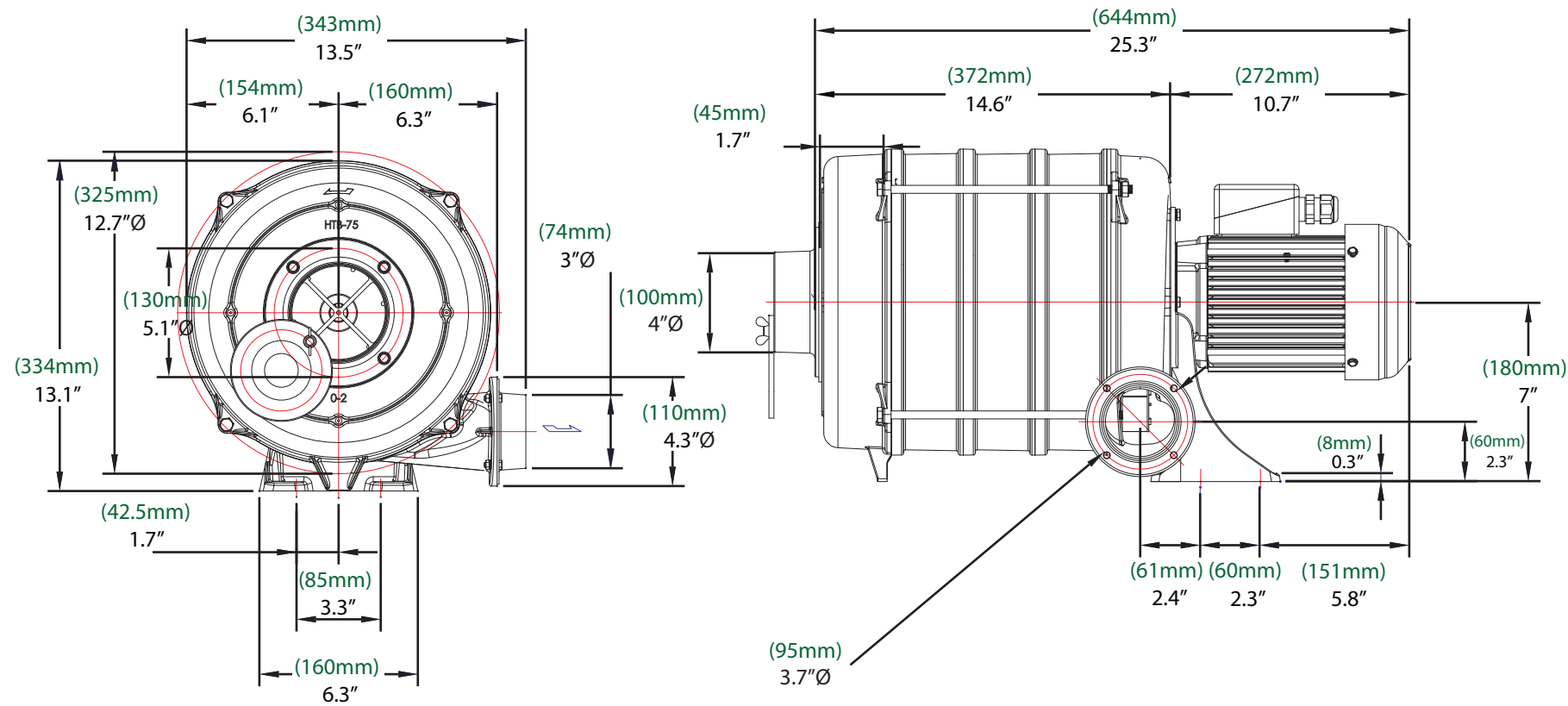




Model Number	Frequency (Hz)	Speed (RPM)	Phase	Curve Number	KW	HP	Max.Flow (cfm)	Max Pressure ("H ₂ O)	Sound Level (dbA)	Weight (lbs)	Stages (Impellers)	Outlet Diameter	Voltage (V)	Current (A)
ABMS-400	60	3600	3	S4	0.75	1.0	304	24.1	70	60	5	3"	220-275/380-480	3.3Δ/1.7Y
	50	2900			0.50	0.6	250	18.5	68				220-275/380-480	2.8Δ/1.5Y

MODEL NO. : ABMS-400



DISCLAIMER

Atlantic Blowers makes no representation or warranties, express or implied, with respect to the reuse of the data provided herewith, regardless of its format or the means of its transmission. There is no guarantee or representation to the user as to the accuracy, suitability or reliability of this data for any purpose. The user accepts the data "as is" and assumes all risks associated with its use. By acceptance of this data, the user agrees not to transmit this data or provide access or any part of it to another party unless the user shall include with the data a copy of this disclaimer. Atlantic Blowers assumes no responsibility for actual or consequential damage incurred as a result of any user's reliance on this data.