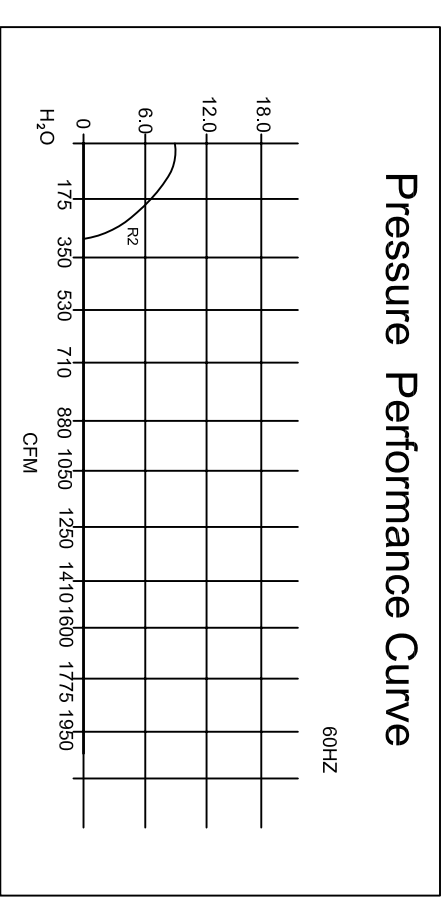
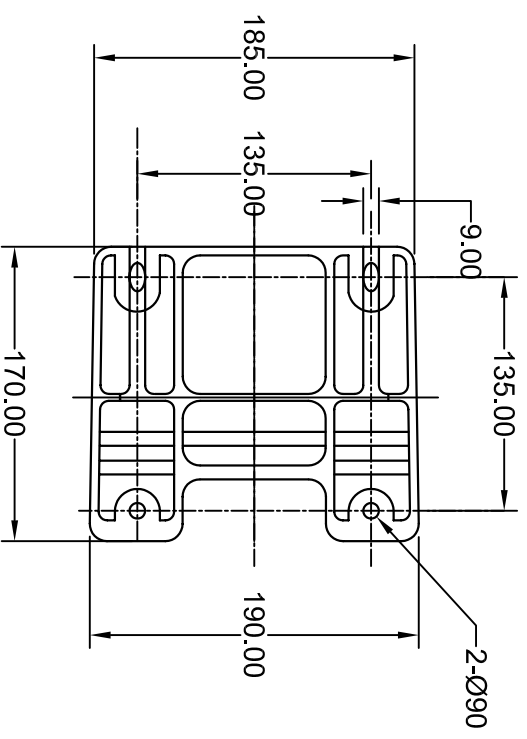
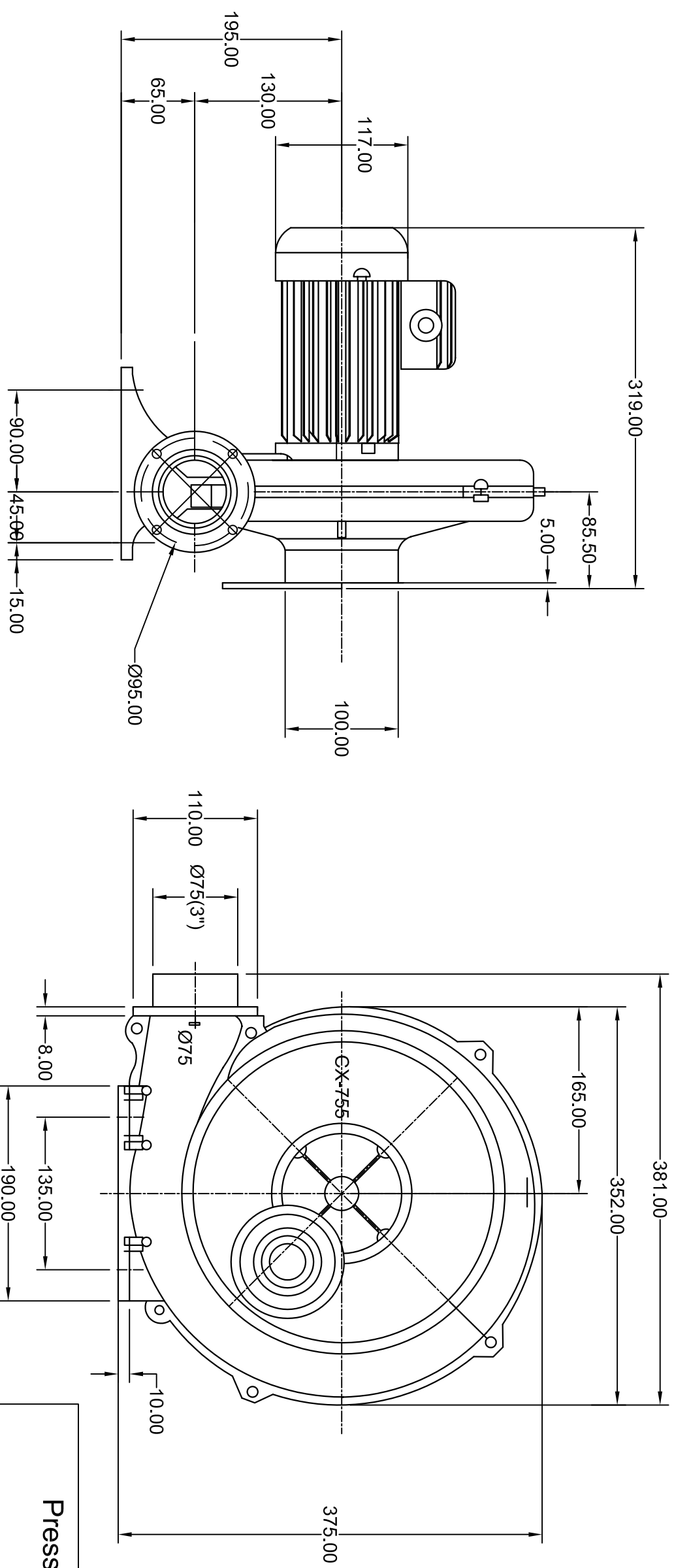


MODEL NO. : ABC-200

Phase	Model Number	Curve Number	KW	HP	Weight (lbs)	Max.Flow (cfm)	Max Pressure ("H ₂ O)	Sound Level	Inlet Diameter	Outlet Diameter	Voltage	Current
3	ABC-200	R2	0.4	0.50	25	282	6.4	70	4"	3"	220-275/380-480	2.1A/1.2Y



DISCLAIMER

Atlantic Blowers makes no representation or warranties, express or implied, with respect to the reuse of the data provided herewith, regardless of its format or the means of its transmission. There is no guarantee or representation to the user as to the accuracy, suitability or reliability of this data for any purpose. The user accepts the data "as is" and assumes all risks associated with its use. By acceptance of this data, the user agrees not to transmit this data or provide access or any part of it to another party unless the user shall include with the data a copy of this disclaimer. Atlantic Blowers assumes no responsibility for actual or consequential damage incurred as a result of any user's reliance on this data.