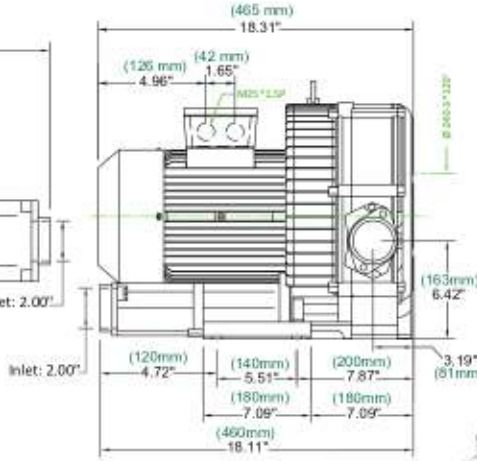
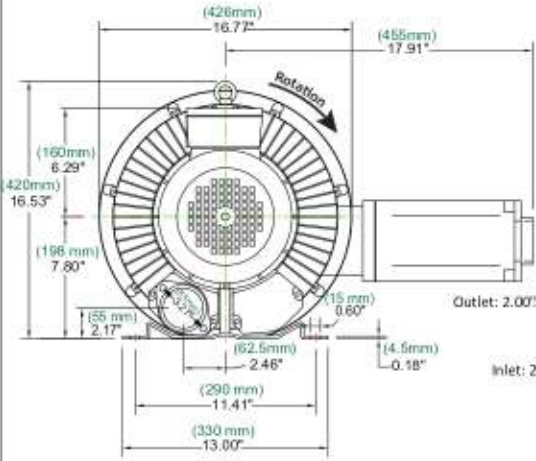




Phase	Model Number	Curve Number	Frequency (Hz)	KW	HP	Max Flow (SCFM)	Max Pressure ("H <sub>2</sub> O)	Max Vacuum ("H <sub>2</sub> O)	Sound Level (dB)	Inlet/Outlet Diameter (Inches)	Voltage	Current (A)	Weight (lbs)
3	AB-802	A117	60Hz	4.60	6.00	230	141	150	79	2.00"	220-275/380-480	16.2Δ9.3Y	121
			50Hz	4.00	5.40	192	98	104	74		200-240/345-415	14.3Δ8.2Y	

\*\*Sound db measured at 2ft.

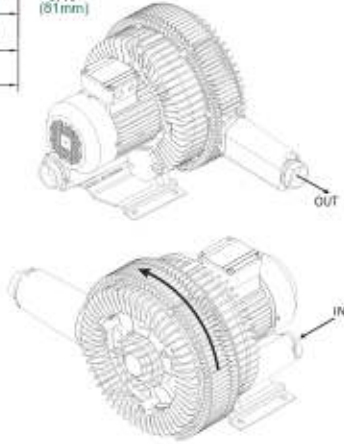
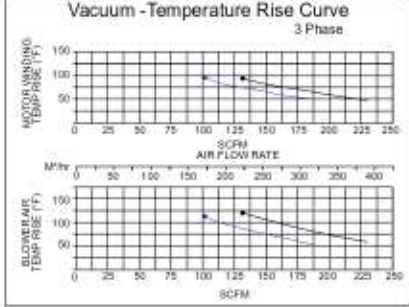
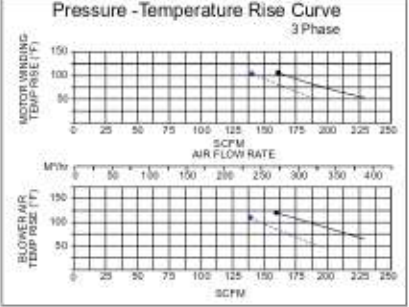
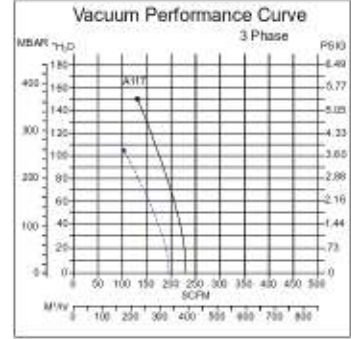
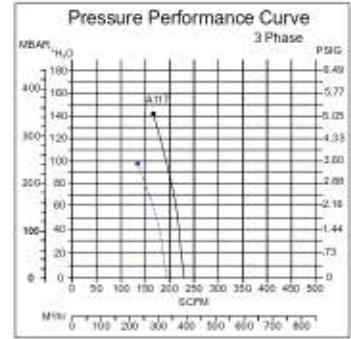
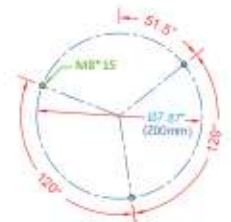
MODEL NO. : AB-802 DOUBLE STAGE



Key



Standard Conditions  
Sea Level (14.7PSI)  
60°F (15°C)  
0% Relative Humidity



Disclaimer

Ownership of the documents and all accompanying information and data including but not limited to all applicable copyrights, trade secrets, patents and other intellectual property remain the property of Atlantic Blowers and are not to be copied, duplicated or reproduced, nor transmitted or disclosed to a third party without express written permission from Atlantic Blowers. Atlantic Blowers makes no representation or warranties, express or implied, with respect to the accuracy of the data provided herewith, regardless of its form or the means of its transmission. The user accepts the data "as is" and assumes all risks associated with its use.