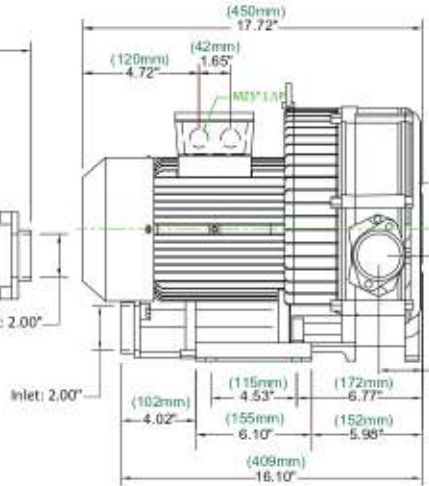
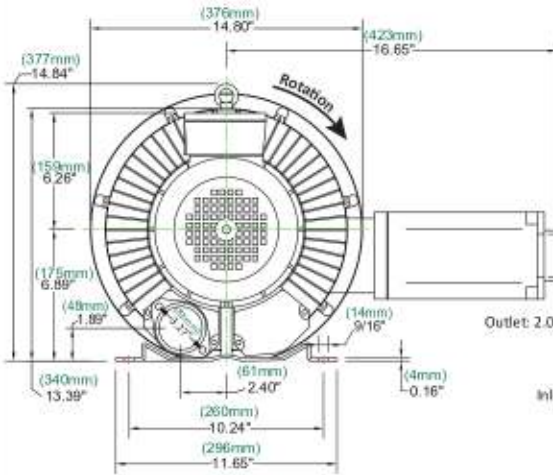




Phase	Model Number	Curve Number	Frequency (Hz)	KW	HP	Max Flow (SCFM)	Max Pressure (H <sub>2</sub> O)	Max Vacuum (H <sub>2</sub> O)	Sound Level (dB)	Inlet/Outlet Diameter (Inches)	Voltage	Current (A)	Weight (lbs)
3	AB-602	A115	60Hz	3.70	5.00	155	166	161	74	2.00"	220-275/380-480	13.5Δ/7.8Y	100
			50Hz	3.40	4.50	129	115	112	71				

\*\*Sound db measured at 3ft

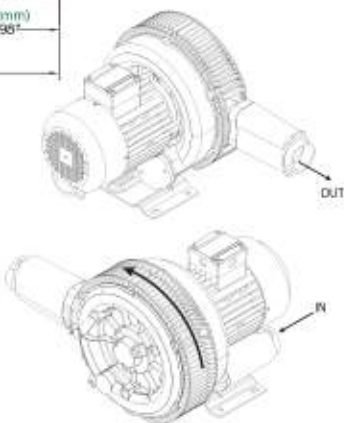
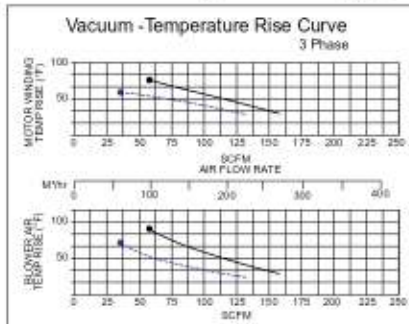
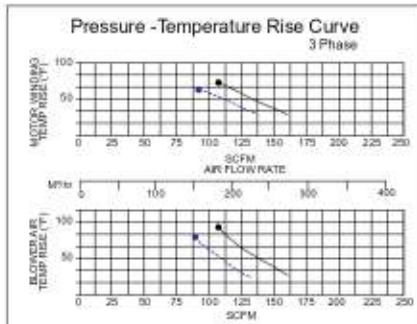
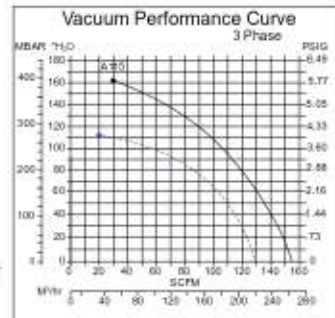
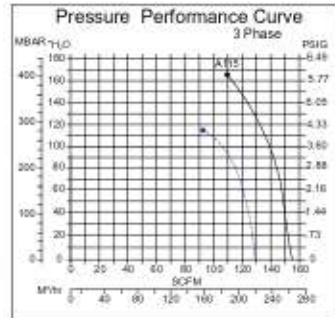
MODEL NO. : AB-602 DOUBLE STAGE



Key

— 60Hz  
 - - - - 50Hz

Standard Conditions  
 Sea Level (14.69 PSI)  
 60°F (15°C)  
 0% Relative Humidity



**Disclaimer**  
 Generality of this document and all accompanying information and data including but not limited to all applicable copyrights, trade secrets, patents and other intellectual property remain the property of Atlantic Blowers and are not to be copied, duplicated or reproduced, nor transmitted or distributed to a third party without express written permission from Atlantic Blowers. Atlantic Blowers makes no representation or warranties, express or implied, with respect to the accuracy of the data provided herewith, regardless of its format or the means of its transmission. The user accepts the data "as is" and assumes all risks associated with its use.