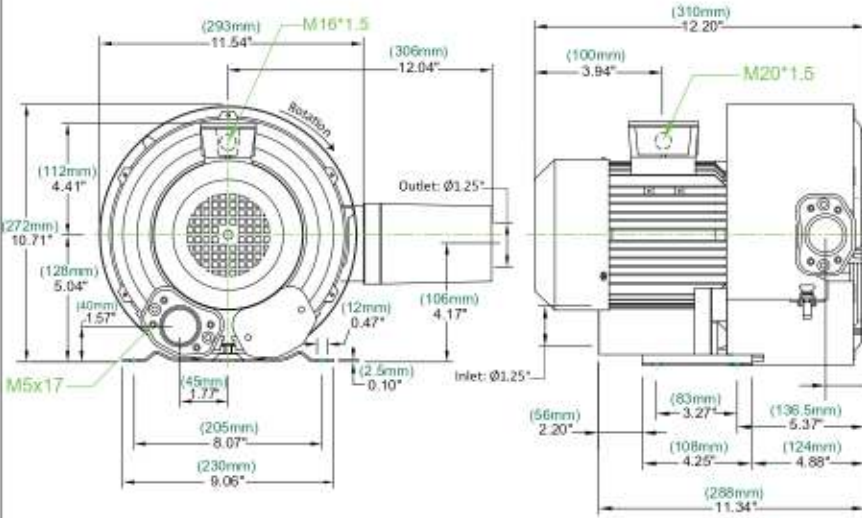




Phase	Model Number	Curve Number	Frequency (Hz)	KW	HP	Max Flow (SCFM)	Max Pressure ("H ₂ O)	Max Vacuum ("H ₂ O)	Sound Level (dB)	Inlet/Outlet Diameter (Inches)	Voltage	Current (A)	Weight (lbs)
3	AB-102	A110	60Hz	0.50	0.67	61	59	40	68	1.25"	220-275/380-480	2.8Δ/1.7Y	34
			50Hz	0.40	0.50	48	41	28	64		200-240/345-415	2.3Δ/1.4Y	

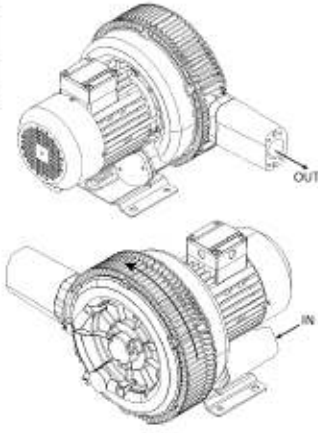
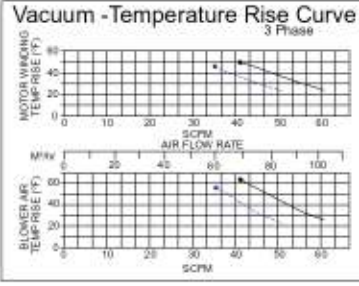
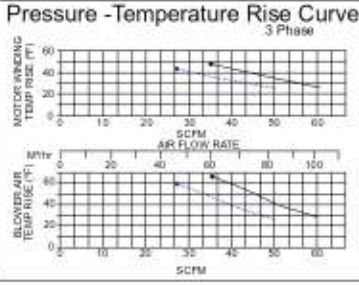
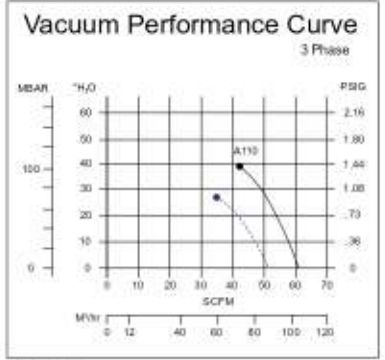
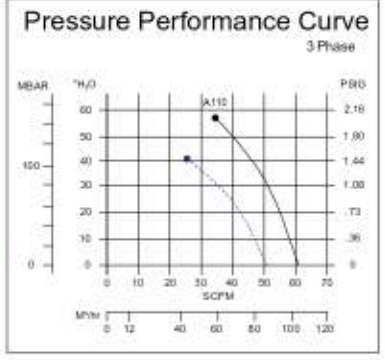
**Sound db measured at 3ft.

MODEL NO. : AB-102 DOUBLE STAGE



Key
 — 60Hz
 - - - 50Hz

Standard Conditions
 Sea Level (14.70 PSI)
 60°F (15°C)
 0% Relative Humidity



Disclaimer
 Ownership of this document and all accompanying information and data including but not limited to all applicable copyrights, trade secrets, patents and other intellectual property remain the property of Atlantic Blowers and are not to be copied, duplicated or reproduced, nor transmitted or disclosed to a third party without approval, written permission from Atlantic Blowers. Atlantic Blowers makes no representation or warranties, express or implied, with respect to the reuse of the data provided hereunder, regardless of its format, or the means of its transmission. The user accepts the date "as is" and assumes all risks associated with its use.