

# more Power Features

## new FEATURES

- Digital Time and/or Constant Energy Weld Modes Available
- Single-piece Rigid Cast Aluminum Machine Base and Column Hub
- Digital Amplitude Control
- Ultrasonic Horn/Stack Frequency Display
- Front Panel Pneumatic and Microprocessor Controls

## new MODELS

### WELD BY:

digital time

- Model XPT 1200 (1200 watts)
- Model XPT 2200 (2200 watts)

digital time and/or constant energy

- Model XPE 1200 (1200 watts)
- Model XPE 2200 (2200 watts)

### STANDARD FEATURES INCLUDE:

- Automatic Frequency Tuning
- Weld, Hold, Delay and Afterburst Timers
- Back-Lit LCD Display
- Ultrasonics Load Meter Scale
- Upper and Lower Weld Limit Settings
- Soft-start Overload Protection Circuitry
- Load Regulation Circuitry
- Digital Wattage Display



**SONICS**<sup>®</sup>  
SONICS & MATERIALS, INC.



## Models XPT and XPE Integrated Welder For Ultrasonic Plastics Assembly



# X-Press

Leaders in the field of ultrasonic plastics welding equipment and technology since 1969, Sonics & Materials introduces its new 20 kHz X-Press integrated welder, an all-in-one super-rigid ultrasonic press that combines power, versatility and microprocessor control in one convenient unit.

The X-Press easily handles significantly larger part size and force requirements and delivers consistent reliability for every application. The built-in microprocessor with easy-access front-panel keypad provides streamlined smart-logic navigation through user-friendly welding mode controls and displays.

Innovating  
since

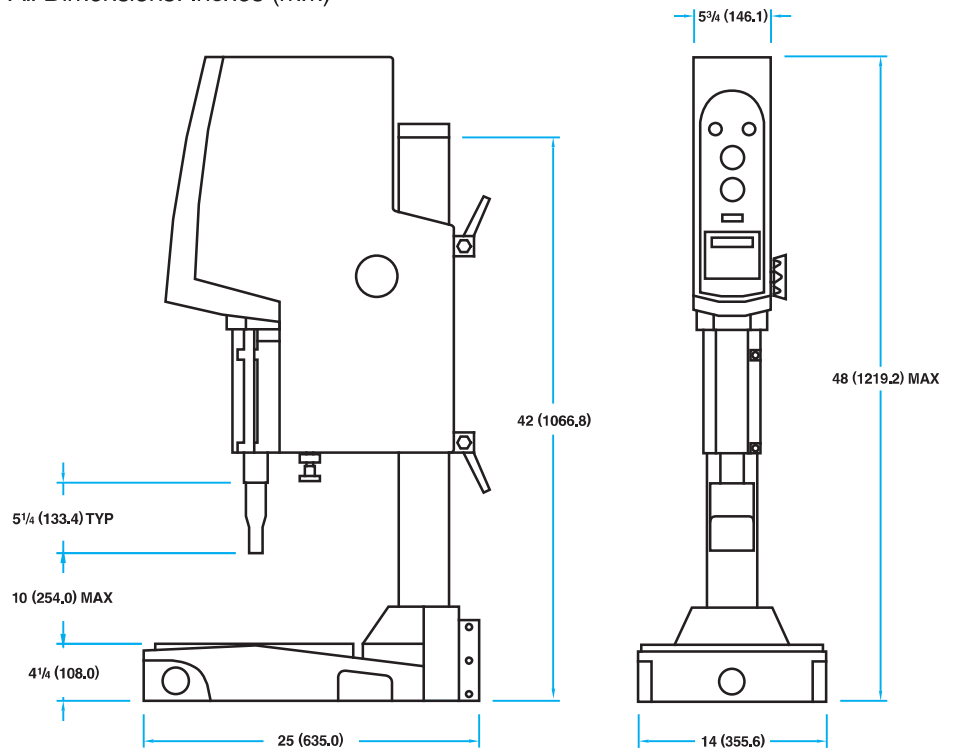
1969

## dimensional data:

All Dimensions: Inches (mm)

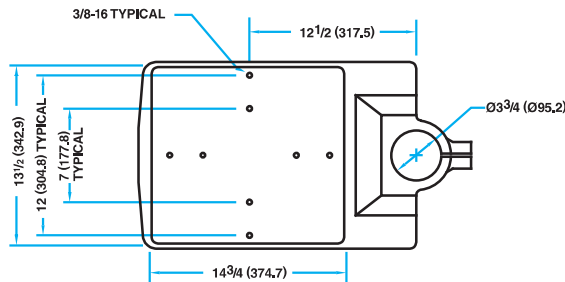
### X-Press features

- Single Piece Rigid Cast Aluminum Machine Base and Column Hub
- Super-rigid 3.75" Steel Column Diameter with 0.5" Wall Thickness
- Single Rail Linear Slide
- Direct In-Line Air Cylinder
- Front Panel Pneumatic Speed and Pressure Controls
- Microprocessor with Front Panel Keypad

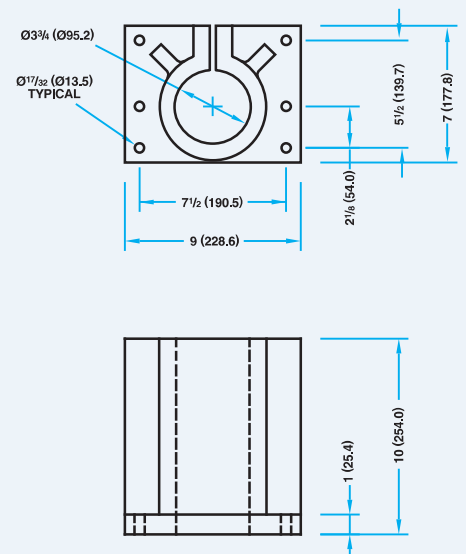


### specifications, additional features, and options

Dual Cycle Start Buttons	Standard
Non-Contact Cycle Start Buttons	Optional
Front Emergency Stop	Standard
Head Adjust Counterbalance Spring	Standard
Adjustable Positive Stop	Standard
Automation Limit Switches	Optional
360° Snap-In Stack Assembly	Standard
Rigid Mount Booster	Optional
Stand Alone Column Hub	Optional
Extended Length Column	Optional
4" (101.6) Stroke Air Cylinder	Standard
Air Cylinder Bore Diameter	2.5" (63.5)
Clamping Force at 90 PSIG	441 lbs. (1961n)
Input Voltage	220 VAC
optional for 1200 watts	120 VAC
Weight	180.5 lbs. / 81.9 kg



### OPTIONAL STAND-ALONE HUB



# more Power Features

## new POWER

Now available in:  
1200 watts 20 kHz  
2200 watts 20 kHz  
2500 watts 15 kHz  
3500 watts 20 kHz

## new FEATURES

- Digital Amplitude Control
- Ultrasonic Horn/Stack Frequency Display
- Good Part/Bad Part Output Signal
- 30% smaller power supply footprint

## new MODELS

### WELD BY:

digital time  
- **Model GXT**

digital time and/  
or constant energy  
- **Model GXE**

digital time, constant  
energy and/or distance  
- **Model GXL\***

### STANDARD FEATURES INCLUDE:

- Automatic Frequency Tuning
- Multiple Job Storage
- Digital Force Triggering
- Calibration Pulse Prior to Every Weld Cycle
- Back-Lit LCD Display
- Ultrasonics Load Meter Scale
- Upper and Lower Weld Limit Settings
- Optional RS232 Serial Port Printer Output
- Optional PLC I/O (Input/Output) Ports
- Soft Start Overload Protection Circuitry
- Load Regulation Circuitry
- Distance Mode Settings in English or Metric Units\*

\*requires optional linear encoder



**SONICS**<sup>®</sup>  
SONICS & MATERIALS, INC.



Model 2050 Press

## Model 2050 / 1550 20 kHz / 15 kHz ultrasonic plastics welding systems



GX-Series Power Supply\*\*

Leaders in the field of ultrasonic plastics welding equipment and technology since 1969, Sonics & Materials offers its new line of **GX-Series** ultrasonic power supplies, combined with the super-rigid Model 2050 or 1550 press, to create a powerful new system designed to handle even the most demanding applications.

The new GX-Series provides microprocessor control and consistent reliability for every application, and delivers more output power to the Model 2050 press, easily handling significantly larger part size and force requirements. Power supplies feature smart-logic, user-friendly navigation and are available in three different welding mode configurations for maximum versatility and flexibility.

### Power Supply\*\*

Dimensions: 15.25" W x 6.50" H x 18.75" D (387.3 x 165.1 x 476.25 mm)

Weight: 21 lbs. (9.5 kg)

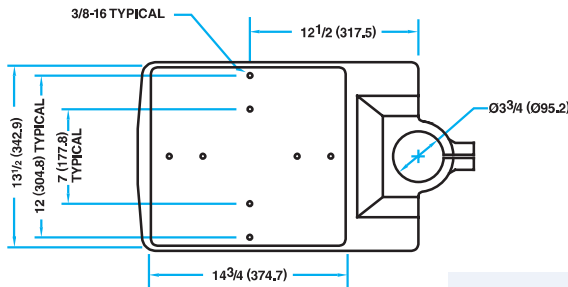
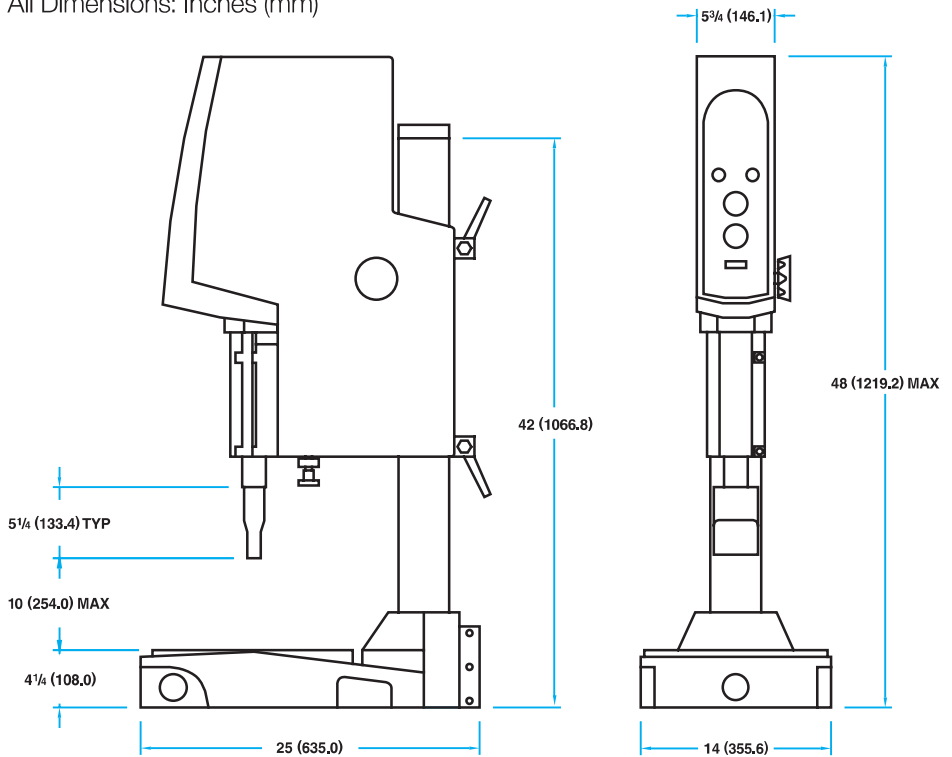
\*\*Power supply for 3500 watt system is larger and heavier. Call for more information.

Innovating  
since

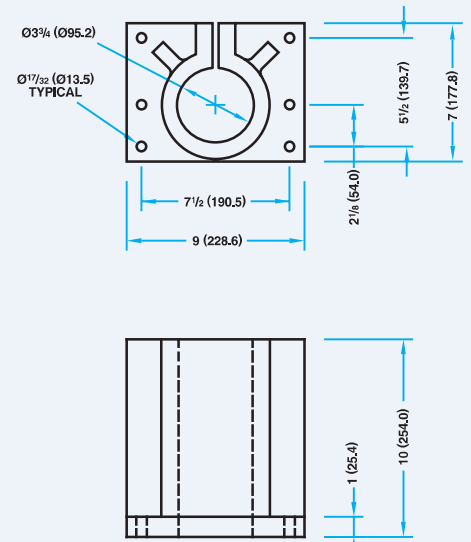
1969

## dimensional data

All Dimensions: Inches (mm)



### OPTIONAL STAND-ALONE HUB



## model 2050 features

- Single Piece Rigid Cast Aluminum Machine Base and Column Hub
- Increased Steel Column Diameter and Wall Thickness
- Single Rail Linear Slide
- Direct In-Line Air Cylinder
- Extended Center Base to Column Throat Depth Distance
- Additional 12" Center-to-Center Lower Fixture Mount Holes
- Front Panel Pneumatic Speed and Pressure Controls
- Linear Encoder for Distance Welding (optional)

## specifications, additional features, and options

Dual Cycle Start Buttons	Standard
Non-Contact Cycle Start Buttons	Optional
Front Emergency Stop	Standard
Head Adjust Counter	
Balance Spring	Standard
Adjustable Positive Stop	Standard
Automation Limit Switches	Optional
360° Snap-In Stack Assembly	Standard
Rigid Mount Booster	Optional
Stand Alone Column Hub	Optional
Extended Length Column	Optional
3.75" (95.3) Column Diameter	Standard
4" (101.6) Stroke Air Cylinder	Standard
6" (152.4) Stroke Air Cylinder	Optional
Air Cylinder Bore Diameter	2.5" (63.5)
Clamping Force at 90 PSIG	441 lbs. (1961n)
Input Voltage	220 VAC
Weight	180.5 lbs. / 81.9 kg

# more Power Features

## new POWER

Now available in:  
1200 watts 20 kHz  
2200 watts 20 kHz  
2500 watts 15 kHz  
3500 watts 20 kHz

## new FEATURES

- Digital Amplitude Control
- Ultrasonic Horn/Stack Frequency Display
- Good Part/Bad Part Output Signal
- 30% smaller power supply footprint

## new MODELS

### WELD BY:

digital time  
- **Model GXT**

digital time and/  
or constant energy  
- **Model GXE**

digital time, constant  
energy and/or distance  
- **Model GXL**

### STANDARD FEATURES INCLUDE:

- Automatic Frequency Tuning
- Multiple Job Storage
- Digital Force Triggering
- Calibration Pulse Prior to Every Weld Cycle
- Back-Lit LCD Display
- Ultrasonics Load Meter Scale
- Upper and Lower Weld Limit Settings
- Optional RS232 Serial Port Printer Output
- Optional PLC I/O (Input/Output) Ports
- Soft Start Overload Protection Circuitry
- Load Regulation Circuitry



**SONICS**<sup>®</sup>  
SONICS & MATERIALS, INC.



Model 2055 Press

## Model 2055/1555 20 kHz and 15 kHz ultrasonic plastics welding systems



GX-Series Power Supply\*\*

Leaders in the field of ultrasonic plastics welding equipment and technology since 1969, Sonics & Materials offers its new line of **GX-Series** ultrasonic power supplies, combined with the super-rigid Model 2055 and 1555 presses, to create a powerful new system designed to handle even the most demanding applications.

The new GX-Series provides microprocessor control and consistent reliability for every application, and delivers more output power to the Model 2055 and 1555 presses, easily handling significantly larger part size and force requirements. Power supplies feature smart-logic, user-friendly navigation and are available in three different welding mode configurations for maximum versatility and flexibility.

### Power Supply\*\*

Dimensions: 15.25" W x 6.50" H x 18.75" D (387.3 x 165.1 x 476.25 mm)

Weight: 21 lbs. (9.5 kg)

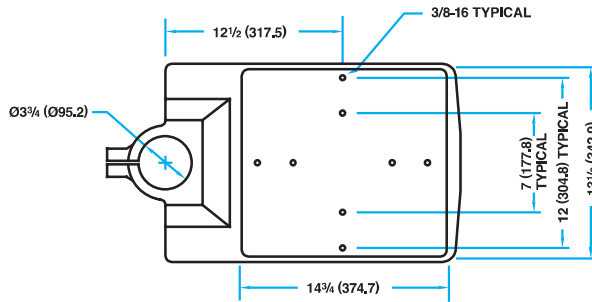
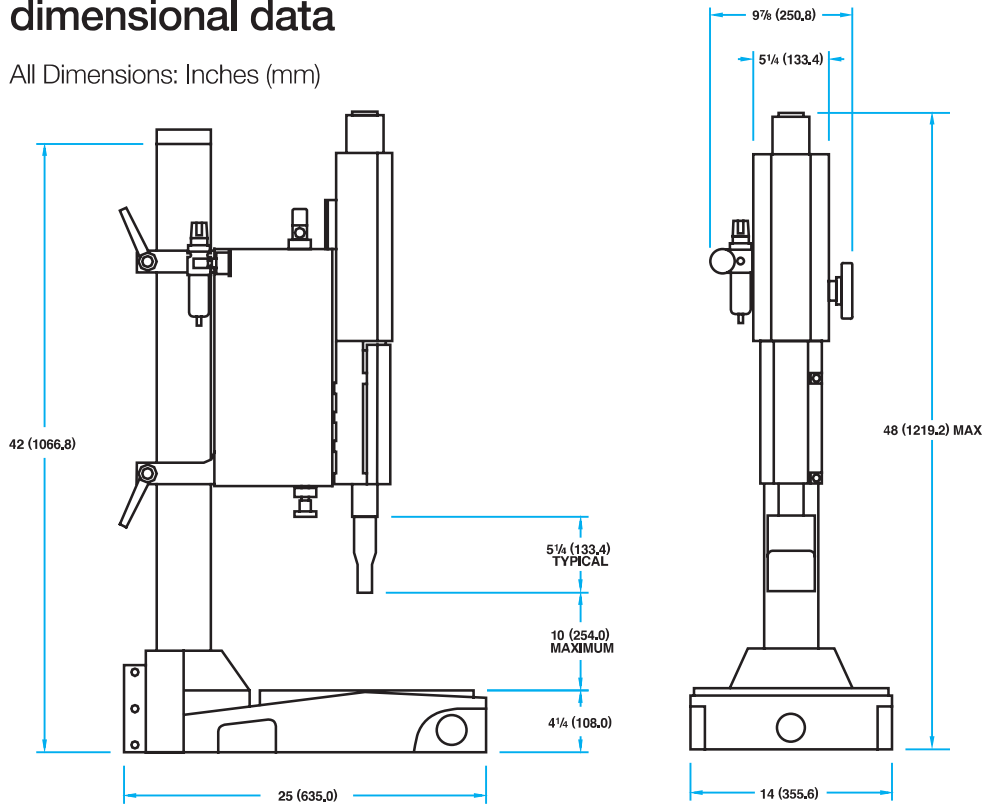
\*\*Power supply for 3500 watt system is larger and heavier. Call for more information.

Innovating  
since

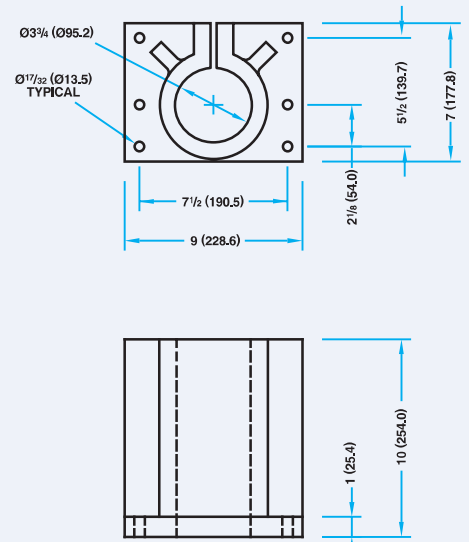
1969

## dimensional data

All Dimensions: Inches (mm)



### OPTIONAL STAND-ALONE HUB



## model 2055 and 1555 features

- Single Piece Rigid Cast Aluminum Machine Base and Column Hub
- Increased Steel Column Diameter and Wall Thickness
- Single Rail Linear Slide
- Direct In-Line Air Cylinder
- Extended Center Base to Column Throat Depth Distance
- Additional 12" Center-to-Center Lower Fixture Mount Holes

## specifications, additional features, and options

Dual Cycle Start Buttons	Standard
Non-Contact Cycle Start Buttons	Optional
Front Emergency Stop	Standard
Head Adjust Counter	
Balance Spring	Standard
Adjustable Positive Stop	Standard
Automation Limit Switches	Optional
360° Snap-In Stack Assembly	Standard
Rigid Mount Booster	Optional
Stand Alone Column Hub	Optional
Extended Length Column	Optional
3.75" (95.3) Column Diameter	Standard
4" (101.6) Stroke Air Cylinder	Standard
6" (152.4) Stroke Air Cylinder	Optional
Air Cylinder Bore Diameter	2.5" (63.5)
Clamping Force at 90 PSIG	441 lbs. (1961n)
Input Voltage	220 VAC
Weight	165 lbs. / 74.8 kg

# more Power Features

## new POWER

Now available in:

- 15 kHz 2500 watts
- 20 kHz 1200 watts
- 20 kHz 2200 watts
- 30 kHz 1200 watts
- 40 kHz 800 watts

## new FEATURES

- Precision controlled weld depth tolerance of +/- 0.0003 in. (.008 mm)
- Electric stepper motor drive/optical encoder
- Programmable digital force, velocity, distance
- Touch screen technology with dynamic full-color menus
- Virtual Network Computing (tablets/PC's)

## STANDARD FEATURES INCLUDE:

- Automatic Frequency Tuning
- Graph Plotting
- Uploadable Event Logging
- Trend Capture / Plotting
- Weld to Peak Power
- Calibration Pulse Prior to Every Weld Cycle
- Weld Set-up Wizard
- Ultrasonics Load Meter Scale
- Absolute and Incremental Distance Modes
- Printer Data Log Output
- Optional PLC I/O (Input/Output) Ports
- Soft Start Overload Protection Circuitry
- Load Regulation Circuitry



**SONICS**<sup>®</sup>  
SONICS & MATERIALS, INC.

## e-Press TOUCH

### ultrasonic electropress™

15 kHz/20 kHz/30 kHz/40 kHz

*high precision plastics welder  
with touch control*



Power Supply with built-in Stepper Controller



Leaders in the field of ultrasonic plastics welding equipment and technology since 1969, Sonics & Materials offers its new stepper-motor driven **e-Press Touch**, combined with a unique touch-control power supply with built-in stepper controller. The new system produces repeatable, precision welds to a weld depth tolerance of +/-0.0003 in. (0.008 mm).

The advanced power supply provides superior microprocessor control and consistent reliability, along with an array of convenient networking and plotting features. Power supplies feature smart-logic, user-friendly navigation with touch controls plus enhanced features such as frequency display and digital amplitude control.

#### Power Supply with built-in Stepper Controller

Dimensions: 10" W x 9.5" H x 24.75" D (254 x 241.31 x 628.65 mm)

Innovating  
since

1969

## dimensional data

All Dimensions: Inches (mm)

### e-Press features

- Single Piece Rigid Cast Aluminum Machine Base and Column Hub
- In-line Load Cell for Precise Force Trigger
- Linear Ball Screw Actuator
- Single Rail Linear Slide
- Rigid Mount Booster Technology

### specifications, additional features, and options

Dual Cycle Start Buttons	Standard
Non-Contact Cycle Start Buttons	Optional
Front Emergency Stop	Standard
Head Adjust Counter	
Balance Spring	Standard
Automation Limit Switches	Optional
360° Snap-In Stack Assembly	Standard
Rigid Mount Booster	Standard
Stand Alone Column Hub	Optional
Extended Length Column	Optional
3.75" (95.3) Column Diameter	Standard
3.5" (89 mm) Max Stroke	Standard
Weight	210 lbs. / 95 kg

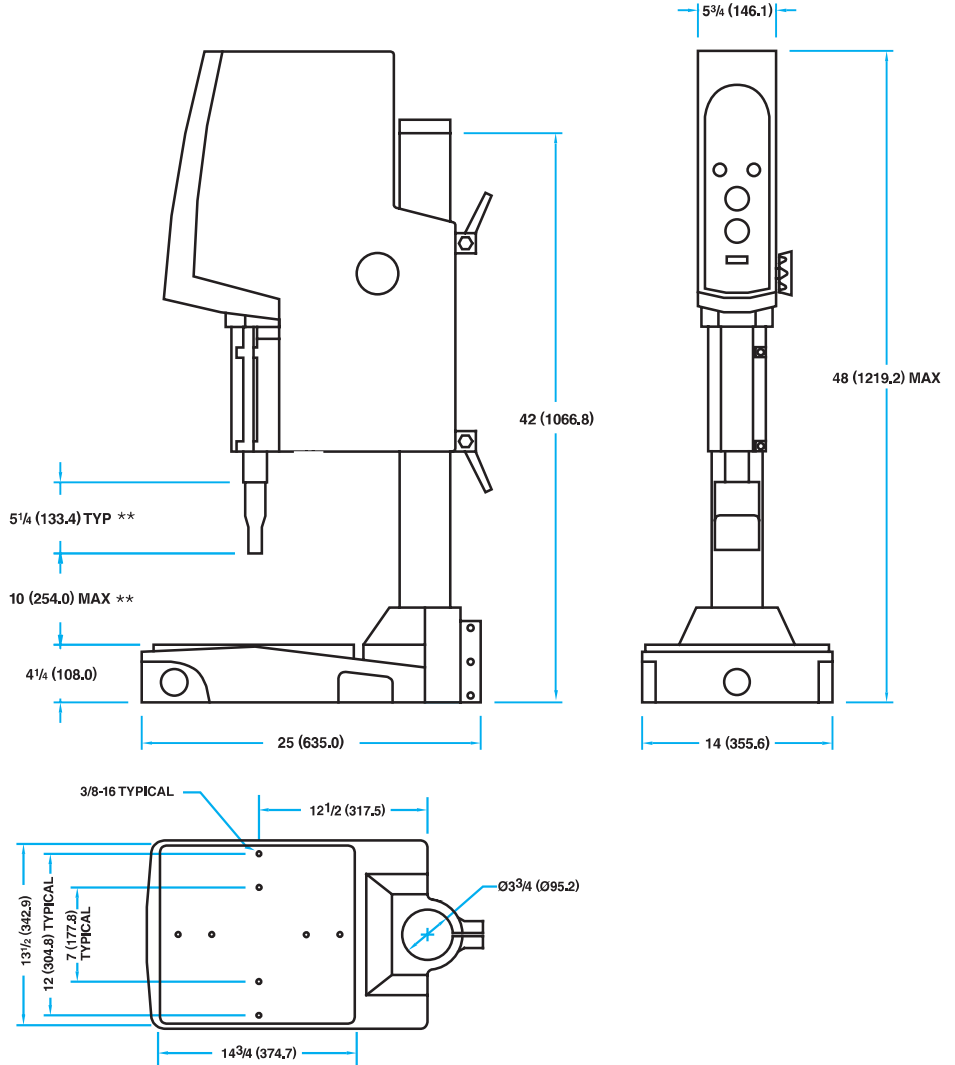
### power requirements

#### Power Supply:

1200 watt	220 VAC (110 VAC Optional)
2200 and 2500 watts	220 VAC

#### EP controller

110 VAC



\*\*NOTE: These dimensions apply to 20 kHz model only.

