

more Power Features

new POWER

Now available in:
3500 watts
4500 watts

new FEATURES

- Digital Amplitude Control
- Ultrasonic Horn/Stack
Frequency Display
- Good Part/Bad Part
Output Signal
- Digital Soft Start
Amplitude Ramp Control*
- Line Voltage Phase Angle
Regulation*

new MODELS

WELD BY:

digital time

- **Model GXT**

digital time and/
or constant energy

- **Model GXE**

digital time, constant
energy and/or distance

- **Model GXL**

STANDARD FEATURES INCLUDE:

- Automatic Frequency Tuning
- Multiple Job Storage
- Digital Force Triggering
- Calibration Pulse Prior to
Every Weld Cycle
- Back-Lit LCD Display
- Ultrasonics Load
Meter Scale
- Upper and Lower Weld
Limit Settings
- Optional RS232 Printer
Output Port
- Optional PLC I/O
(Input/Output) Ports
- Soft Start Overload
Protection Circuitry
- Load Regulation Circuitry
- Distance Mode Settings in
English or Metric Units**

**Requires optional linear encoder



SONICS[®]
SONICS & MATERIALS, INC.

Model 1595 15 kHz ultrasonic plastics welding systems

Model 1595 Press



GX-Series High Profile Power Supply



Leaders in the field of ultrasonic plastics welding equipment and technology since 1969, Sonics & Materials offers its new line of **GX-Series** ultrasonic power supplies, combined with 15 kHz welders, for welding medium to large-sized parts at higher amplitudes.

The new GX-Series provides microprocessor control and consistent reliability for every application. Power supplies feature smart-logic, user-friendly keypad navigation. Line voltage phase angle regulation allows for single phase power requirement and promotes conservation of on-demand electrical energy.

POWER SUPPLIES

High Profile Chassis

3500 or 4500 Watts Power

Height: 11.00" (279.4 mm)

Width: 17.75" (450.8 mm)

Depth: 22.50" (571.5 mm)

Weight: 70 lbs. (31.8 kg)

Innovating
since

1969

dimensional data

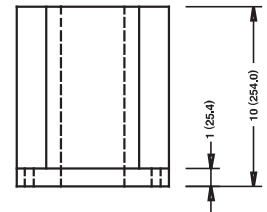
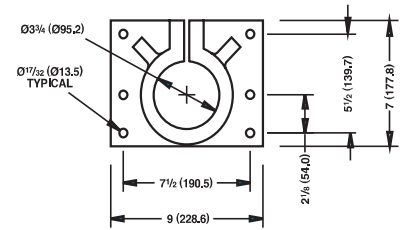
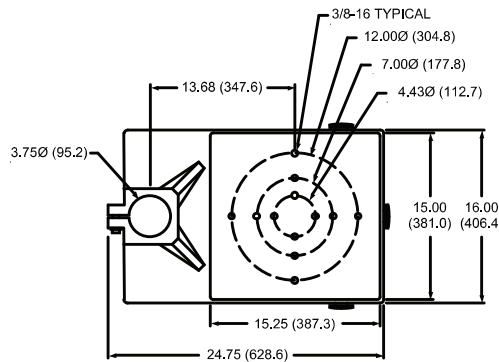
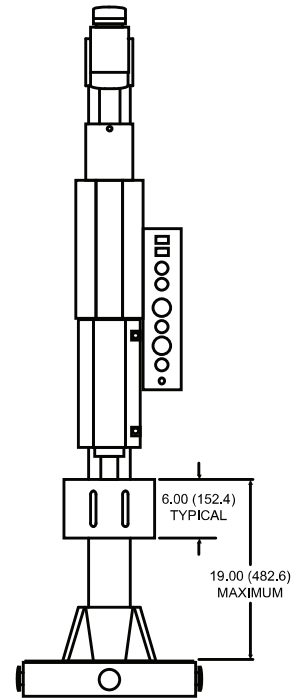
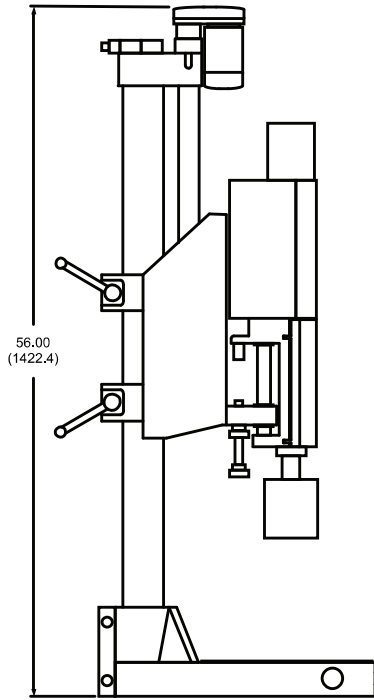
All Dimensions: Inches (mm)

model 1595 features

- Single Piece Rigid Cast Aluminum Base and Column Hub
- Dual Column Low Friction Linear Bearings
- Direct In-Line Air Cylinder
- Motorized Actuator Head Up and Down Switches
- Motorized Actuator Head Up and Down Adjustment
- Front Panel Pneumatic Pressure and Speed Up and Down Controls
- Linear Encoder for Distance Welding (optional)

specifications, additional features and options

Dual Cycle Start Buttons	Standard
Non-Contact Cycle Start Buttons	Optional
Front Emergency Stop	Standard
Adjustable Positive Stop	Standard
Automation Limit Switches	Optional
360° Snap-In Stack Assembly	Standard
Stand Alone Column Hub	Optional
Extended Length Column	Optional
3.75" (95.3) Column Diameter	Standard
4" (101.6) Stroke Air Cylinder	Standard
Air Cylinder Bore Diameter	4" (101.6)
Clamping Force at 90 PSIG	1130 lbs. (5026n)
Input Voltage	220 VAC
Weight (1595)	280 lbs. / 127.0 kg



optional stand-alone hub



more Power Features

new POWER

Now available in:
1200 watts 20 kHz
2200 watts 20 kHz
2500 watts 15 kHz
3500 watts 20 kHz

new FEATURES

- Digital Amplitude Control
- Ultrasonic Horn/Stack Frequency Display
- Good Part/Bad Part Output Signal
- 30% smaller power supply footprint

new MODELS

WELD BY:

digital time
- **Model GXT**

digital time and/
or constant energy
- **Model GXE**

digital time, constant
energy and/or distance
- **Model GXL***

STANDARD FEATURES INCLUDE:

- Automatic Frequency Tuning
- Multiple Job Storage
- Digital Force Triggering
- Calibration Pulse Prior to Every Weld Cycle
- Back-Lit LCD Display
- Ultrasonics Load Meter Scale
- Upper and Lower Weld Limit Settings
- Optional RS232 Serial Port Printer Output
- Optional PLC I/O (Input/Output) Ports
- Soft Start Overload Protection Circuitry
- Load Regulation Circuitry
- Distance Mode Settings in English or Metric Units*

*requires optional linear encoder



SONICS[®]
SONICS & MATERIALS, INC.



Model 2050 Press

Model 2050 / 1550 20 kHz / 15 kHz ultrasonic plastics welding systems



GX-Series Power Supply**

Leaders in the field of ultrasonic plastics welding equipment and technology since 1969, Sonics & Materials offers its new line of **GX-Series** ultrasonic power supplies, combined with the super-rigid Model 2050 or 1550 press, to create a powerful new system designed to handle even the most demanding applications.

The new GX-Series provides microprocessor control and consistent reliability for every application, and delivers more output power to the Model 2050 press, easily handling significantly larger part size and force requirements. Power supplies feature smart-logic, user-friendly navigation and are available in three different welding mode configurations for maximum versatility and flexibility.

Power Supply**

Dimensions: 15.25" W x 6.50" H x 18.75" D (387.3 x 165.1 x 476.25 mm)

Weight: 21 lbs. (9.5 kg)

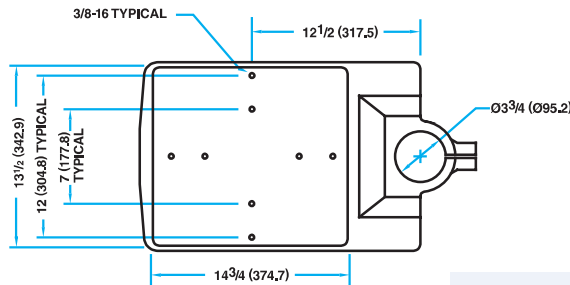
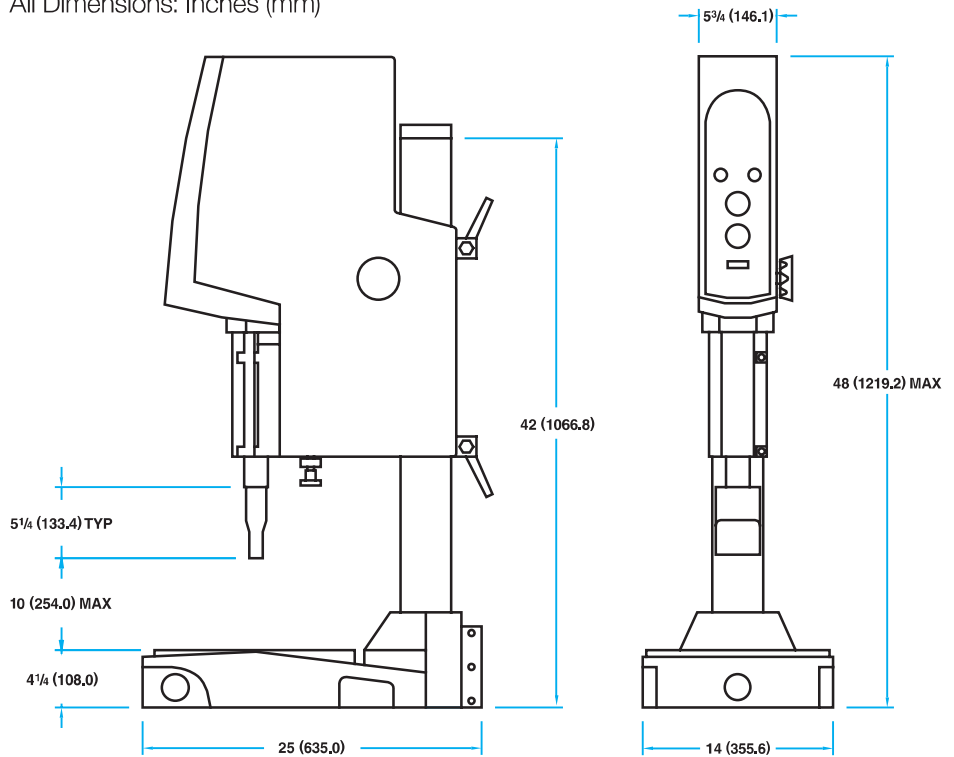
**Power supply for 3500 watt system is larger and heavier. Call for more information.

Innovating
since

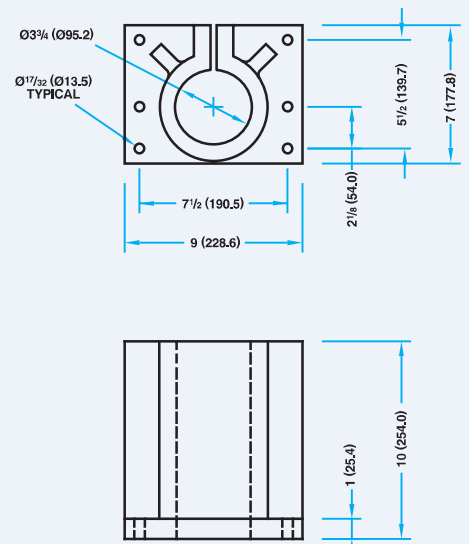
1969

dimensional data

All Dimensions: Inches (mm)



OPTIONAL STAND-ALONE HUB



model 2050 features

- Single Piece Rigid Cast Aluminum Machine Base and Column Hub
- Increased Steel Column Diameter and Wall Thickness
- Single Rail Linear Slide
- Direct In-Line Air Cylinder
- Extended Center Base to Column Throat Depth Distance
- Additional 12" Center-to-Center Lower Fixture Mount Holes
- Front Panel Pneumatic Speed and Pressure Controls
- Linear Encoder for Distance Welding (optional)

specifications, additional features, and options

Dual Cycle Start Buttons	Standard
Non-Contact Cycle Start Buttons	Optional
Front Emergency Stop	Standard
Head Adjust Counter	
Balance Spring	Standard
Adjustable Positive Stop	Standard
Automation Limit Switches	Optional
360° Snap-In Stack Assembly	Standard
Rigid Mount Booster	Optional
Stand Alone Column Hub	Optional
Extended Length Column	Optional
3.75" (95.3) Column Diameter	Standard
4" (101.6) Stroke Air Cylinder	Standard
6" (152.4) Stroke Air Cylinder	Optional
Air Cylinder Bore Diameter	2.5" (63.5)
Clamping Force at 90 PSIG	441 lbs. (1961n)
Input Voltage	220 VAC
Weight	180.5 lbs. / 81.9 kg

more Power Features

new POWER

Now available in:
1200 watts 20 kHz
2200 watts 20 kHz
2500 watts 15 kHz
3500 watts 20 kHz

new FEATURES

- Digital Amplitude Control
- Ultrasonic Horn/Stack
Frequency Display
- Good Part/Bad Part
Output Signal
- 30% smaller power
supply footprint

new MODELS

WELD BY:

digital time
- **Model GXT**

digital time and/
or constant energy
- **Model GXE**

digital time, constant
energy and/or distance
- **Model GXL**

STANDARD FEATURES INCLUDE:

- Automatic Frequency Tuning
- Multiple Job Storage
- Digital Force Triggering
- Calibration Pulse Prior to
Every Weld Cycle
- Back-Lit LCD Display
- Ultrasonics Load
Meter Scale
- Upper and Lower Weld
Limit Settings
- Optional RS232 Serial Port
Printer Output
- Optional PLC I/O
(Input/Output) Ports
- Soft Start Overload
Protection Circuitry
- Load Regulation Circuitry



SONICS[®]
SONICS & MATERIALS, INC.



Model 2055 Press

Model 2055/1555 20 kHz and 15 kHz ultrasonic plastics welding systems



GX-Series Power Supply**

Leaders in the field of ultrasonic plastics welding equipment and technology since 1969, Sonics & Materials offers its new line of **GX-Series** ultrasonic power supplies, combined with the super-rigid Model 2055 and 1555 presses, to create a powerful new system designed to handle even the most demanding applications.

The new GX-Series provides microprocessor control and consistent reliability for every application, and delivers more output power to the Model 2055 and 1555 presses, easily handling significantly larger part size and force requirements. Power supplies feature smart-logic, user-friendly navigation and are available in three different welding mode configurations for maximum versatility and flexibility.

Power Supply**

Dimensions: 15.25" W x 6.50" H x 18.75" D (387.3 x 165.1 x 476.25 mm)

Weight: 21 lbs. (9.5 kg)

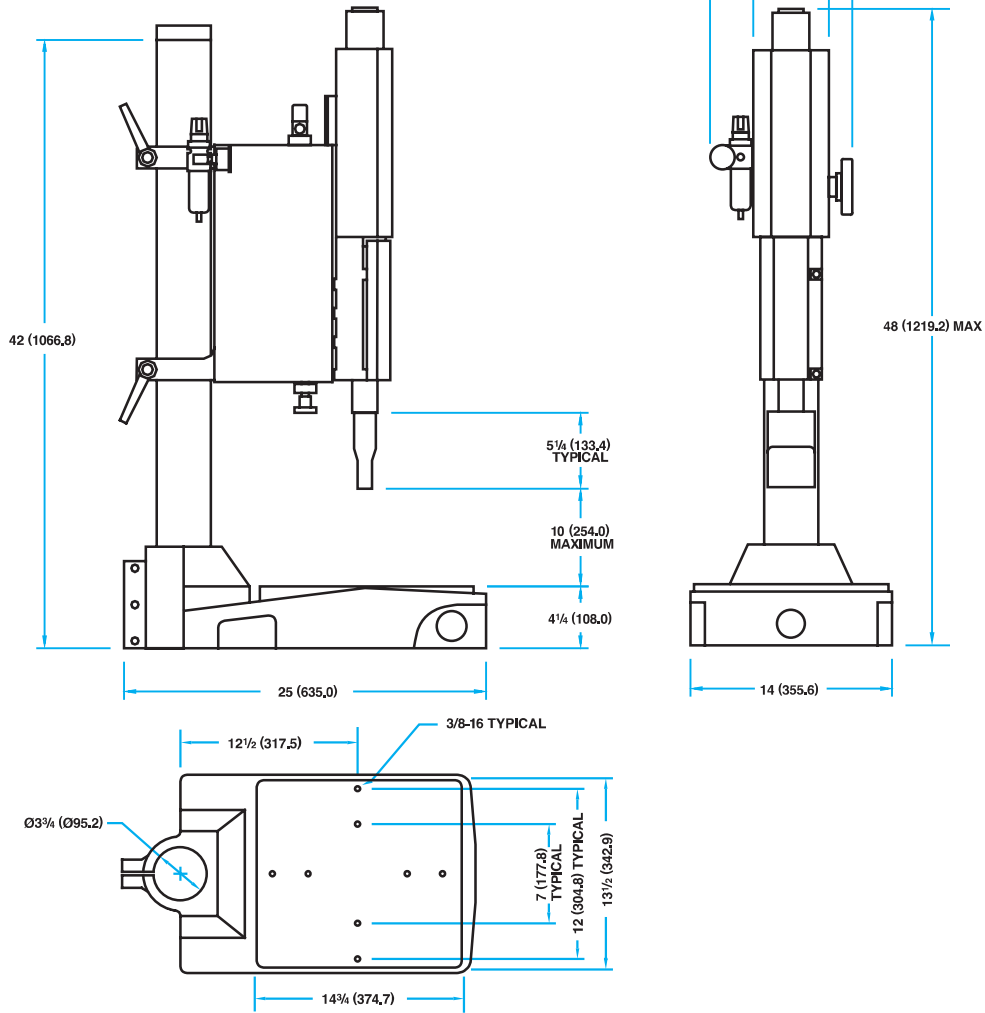
**Power supply for 3500 watt system is larger and heavier. Call for more information.

Innovating
since

1969

dimensional data

All Dimensions: Inches (mm)



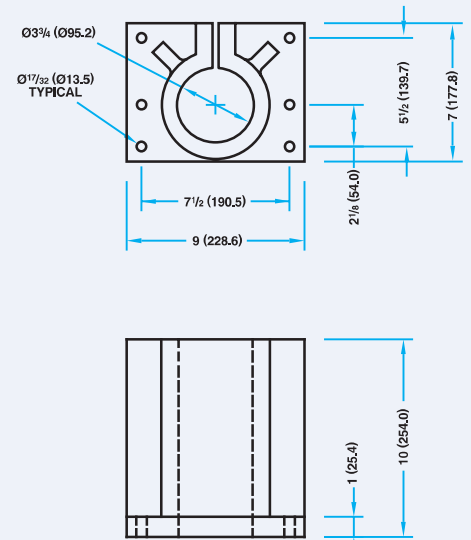
model 2055 and 1555 features

- Single Piece Rigid Cast Aluminum Machine Base and Column Hub
- Increased Steel Column Diameter and Wall Thickness
- Single Rail Linear Slide
- Direct In-Line Air Cylinder
- Extended Center Base to Column Throat Depth Distance
- Additional 12" Center-to-Center Lower Fixture Mount Holes

specifications, additional features, and options

Dual Cycle Start Buttons	Standard
Non-Contact Cycle Start Buttons	Optional
Front Emergency Stop	Standard
Head Adjust Counter	
Balance Spring	Standard
Adjustable Positive Stop	Standard
Automation Limit Switches	Optional
360° Snap-In Stack Assembly	Standard
Rigid Mount Booster	Optional
Stand Alone Column Hub	Optional
Extended Length Column	Optional
3.75" (95.3) Column Diameter	Standard
4" (101.6) Stroke Air Cylinder	Standard
6" (152.4) Stroke Air Cylinder	Optional
Air Cylinder Bore Diameter	2.5" (63.5)
Clamping Force at 90 PSIG	441 lbs. (1961n)
Input Voltage	220 VAC
Weight	165 lbs. / 74.8 kg

OPTIONAL STAND-ALONE HUB



more Power Features

new POWER

Now available in:

- 15 kHz 2500 watts
- 20 kHz 1200 watts
- 20 kHz 2200 watts
- 30 kHz 1200 watts
- 40 kHz 800 watts

new FEATURES

- Precision controlled weld depth tolerance of +/- 0.0003 in. (.008 mm)
- Electric stepper motor drive/optical encoder
- Programmable digital force, velocity, distance
- Touch screen technology with dynamic full-color menus
- Virtual Network Computing (tablets/PC's)

STANDARD FEATURES INCLUDE:

- Automatic Frequency Tuning
- Graph Plotting
- Uploadable Event Logging
- Trend Capture / Plotting
- Weld to Peak Power
- Calibration Pulse Prior to Every Weld Cycle
- Weld Set-up Wizard
- Ultrasonics Load Meter Scale
- Absolute and Incremental Distance Modes
- Printer Data Log Output
- Optional PLC I/O (Input/Output) Ports
- Soft Start Overload Protection Circuitry
- Load Regulation Circuitry



SONICS[®]
SONICS & MATERIALS, INC.

e-Press TOUCH

ultrasonic electropress[™]

15 kHz/20 kHz/30 kHz/40 kHz

*high precision plastics welder
with touch control*



Power Supply with built-in Stepper Controller



Leaders in the field of ultrasonic plastics welding equipment and technology since 1969, Sonics & Materials offers its new stepper-motor driven *e-Press Touch*, combined with a unique touch-control power supply with built-in stepper controller. The new system produces repeatable, precision welds to a weld depth tolerance of +/-0.0003 in. (0.008 mm).

The advanced power supply provides superior microprocessor control and consistent reliability, along with an array of convenient networking and plotting features. Power supplies feature smart-logic, user-friendly navigation with touch controls plus enhanced features such as frequency display and digital amplitude control.

Power Supply with built-in Stepper Controller

Dimensions: 10" W x 9.5" H x 24.75" D (254 x 241.31 x 628.65 mm)

Innovating
since

1969

dimensional data

All Dimensions: Inches (mm)

e-Press features

- Single Piece Rigid Cast Aluminum Machine Base and Column Hub
- In-line Load Cell for Precise Force Trigger
- Linear Ball Screw Actuator
- Single Rail Linear Slide
- Rigid Mount Booster Technology

specifications, additional features, and options

Dual Cycle Start Buttons	Standard
Non-Contact Cycle Start Buttons	Optional
Front Emergency Stop	Standard
Head Adjust Counter	
Balance Spring	Standard
Automation Limit Switches	Optional
360° Snap-In Stack Assembly	Standard
Rigid Mount Booster	Standard
Stand Alone Column Hub	Optional
Extended Length Column	Optional
3.75" (95.3) Column Diameter	Standard
3.5" (89 mm) Max Stroke	Standard
Weight	210 lbs. / 95 kg

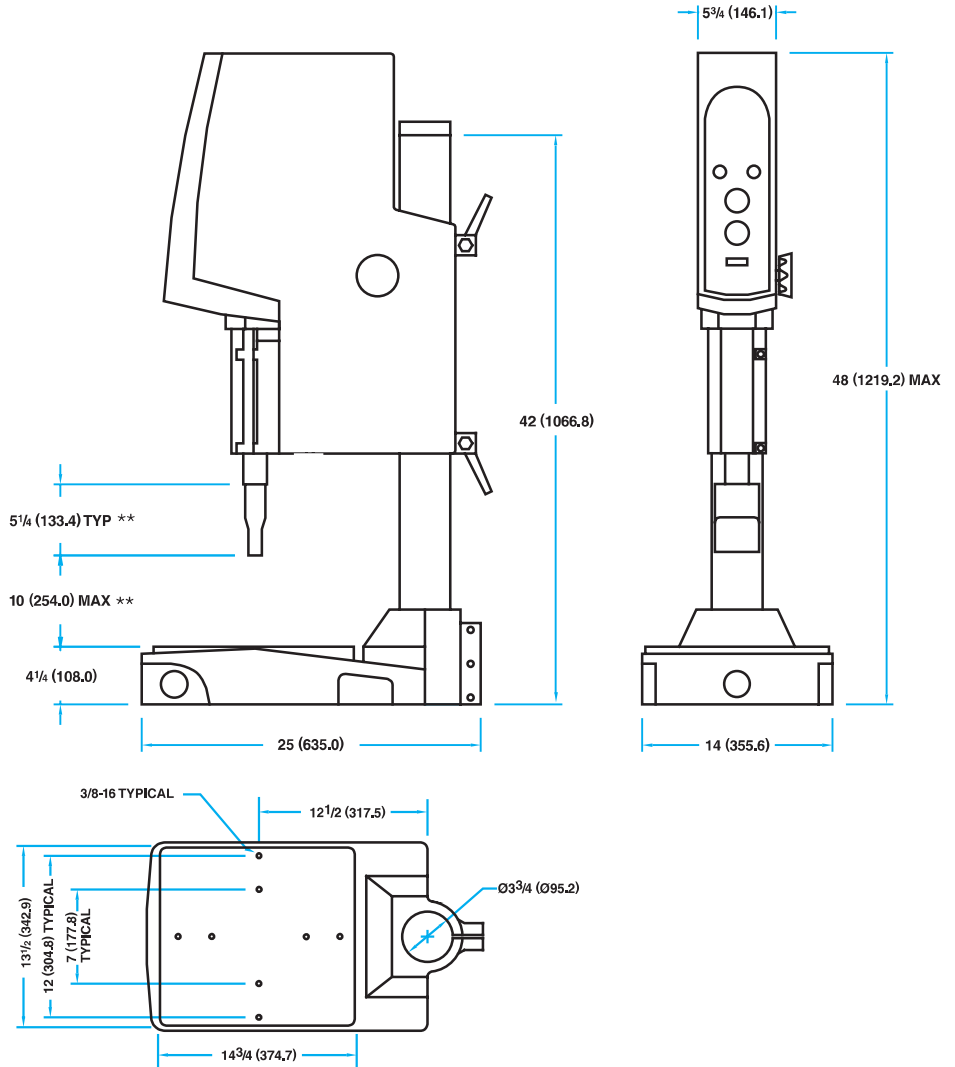
power requirements

Power Supply:

1200 watt	220 VAC (110 VAC Optional)
2200 and 2500 watts	220 VAC

EP controller

110 VAC



**NOTE: These dimensions apply to 20 kHz model only.

